

Installation & Maintenance Manual



www.montigo.com

R520-ST Indoor
R620-ST Indoor

R-Series-ST
Indoor
Residential
Fireplace

WARNING

If the information in these instructions is not followed exactly, a fire or explosion may result causing property damage, personal injury or death.

WARNING

Do not store or use gasoline or any other flammable vapors and liquids in the vicinity of this or any other appliance.

CAUTION

Installation and service must be performed by a qualified installer, service agency or the gas supplier.

NOTICE

Installer: Leave this manual with the appliance.
Consumer: Retain this manual for future reference.

DANGER

IF YOU SMELL GAS

- Do not try to light any appliance.
- Do not touch any electrical switch; do not use any phone in your building.
- Immediately call your gas supplier from a neighbor's phone. Follow the gas supplier's instructions.
- If you cannot reach your gas supplier, call the fire department.

NOTICE

This fireplace is certified to ANSI Z21.50 / CSA 2.22 Vented Fireplace Standard as a power assisted direct vent fireplace. This product uses outdoor air for combustion and exhausts combustion products outdoors.

DANGER



**HOT GLASS WILL CAUSE BURNS.
DO NOT TOUCH GLASS UNTIL COOLED.
NEVER ALLOW CHILDREN TO TOUCH GLASS.**

A barrier designed to reduce the risk of burns from the hot viewing glass is provided with this appliance and shall be installed for the protection of children and other at-risk individuals.



NOTICE

You must read and understand this manual prior to installation, operation or troubleshooting this appliance. Please retain this owner's manual for future reference and maintenance.

Table of Contents

Instruction Manual Contents	Section 6: Installing the gas line	20
Introduction	Fuel Type	20
Safety Alerts	Gas Pressure	20
Section A: Before You Start	GAS CONNECTION	20
Pre-Installation Checklist	Section 7: Testing the system	21
Understanding the Basic Operation of the Residential R520-ST & R620-ST Fireplace	7-1: Testing the system before gas connection	21
Standard Installation Checklist	7-2: Testing the system with gas connection	21
Introduction to the R-Series Fireplace:	Mantels & Surrounds	22
Rating Plate Sample	Section 8: Removing & Installing Screen and Window	23
Section 1: Installation Overview and Product Dimensions	Section 9: Installing the Firestones	24
Clearances	Optional River Rocks	24
Section 1: Installation Overview and Product Dimensions	Section 10: Start-up Sequence	25
Section 2: Framing	Section 11: Cleaning and Maintenance	26
Installation	See Lighting Instructions section	26
Section 3: Finishing	General	26
Section 4: Installing the Vertical Power Vent	Cleaning	26
Section 4-1: Installing a Roof Mounted Vertical Exterior Power Vent	Replacement Parts	27
Section 4-1-1: Venting Layout	Appendix A: Power Vent Locations	28
Multi-Elbow Installations	PVVEX510-300 Vertical Power Vent Detail	28
Downward Vertical Venting	PVVEX510-300 Power Vent Locations	29
Section 4-1-2: Venting Components	PVHEX510-300 Horizontal Power Vent Detail	30
Section 4-1-3: Installation of the Vertical External Roof Mounted Power Vent Module	PVHEX510-300 Power Vent Locations	31
Section 4-2: Installing a Wall Mounted Horizontal Exterior Power Vent	PVHFL510-300 Horizontal Power Vent Detail	32
Section 4-2-1: Venting Layout	PVHFL510-300 Power Vent Locations	33
Section 4-2-2: Venting Components	33
Section 4-2-3: Installation of the horizontal external wall mounted power vent module	Appendix B: Warranty	34
Section 4-3: Heat Shields	Appendix C: State of Massachusetts	35
.....		
Section 5: Wiring		
Installing the Fireplace Control Box		
Installation of Electrical Supply		
Installing the Wall Switch		

Safety Alert Key



DANGER

Indicates a hazardous situation which, if not avoided, **WILL** result in death or serious injury or property damage.



WARNING

Indicates a hazardous situation which, if not avoided, **COULD** result in death or serious injury or property damage.



CAUTION

Indicates a hazardous situation which, if not avoided, **WILL** result in minor or moderate injury.

NOTICE

Addresses practices that are important, but not related to personal injury

Safety Alerts

Introduction

Congratulations on your purchase of a Montigo Fireplace.

With over 30 years of experience, Montigo is committed to providing you with a gas fireplace that is not only a beautiful addition to your space, but that is also designed and manufactured to the highest safety, reliability and engineering standards.

We strongly encourage you to read and carefully follow the instructions laid out in this Installation, Operation and Maintenance Manual and retain it for your future reference. Pay special attention to all cautions, warnings, and notices throughout this manual intended to ensure your safety.

This manual covers installation, operation and maintenance. Lighting, operation and care of this fireplace can be easily performed by the homeowner. All installation and service work should be performed by a qualified or licensed installer, plumber or gas fitter as certified by the state, province, region or governing body where the fireplace is being installed.

This installation, operation and maintenance manual is applicable to the models described below. Refer to your rating plate to verify included options.

Warranty and Installation Information: (See Appendix B)

The Montigo warranty will be voided by, and Montigo disclaims any responsibility for, the following actions:

- ▶ Modification of the fireplace and/or components including Power-Vent assembly or glass doors.
- ▶ Use of any component part not manufactured or approved by Montigo in combination with this Montigo fireplace system.
- ▶ Installation other than as instructed in this manual.

Consult your local Gas Inspection Branch on installation requirements for factory-built gas fireplaces. Installation & repairs should be done by a qualified contractor.

NOTICE

Vented decorative gas appliance:
not a source of heat; not for use with solid fuel



CAUTION

Young children should be carefully supervised when they are in the same room as the appliance. Toddlers, young children and others may be susceptible to accidental contact burns. A physical barrier is recommended if there are at risk individuals in the house. To restrict access to a fireplace or stove, install an adjustable safety gate to keep toddlers, young children and other at risk individuals out of the room and away from hot surfaces.

Fireplace BTU/H Input

Model#	Natural Gas	Propane	Venting Type	Burner Type	Ignition Type
R-Series R520ST	80,000	80,000	Top Dedicated Power Vent	Linear Burner	HSI Electronic Ignition/ SIT Electronic Ignition (IPI)
R-Series R620ST	100,000	100,000	Top Dedicated Power Vent	Linear Burner	HSI Electronic Ignition/ SIT Electronic Ignition (IPI)



Installation

IMPORTANT MESSAGE: SAVE THESE INSTRUCTIONS

The C-View Residential R520-ST & R620-ST Power Vent fireplaces must be installed in accordance with these Instructions. Carefully read all the Instructions in this manual first. Consult the Local Gas Branch to determine the need for a permit prior to starting the installation. It is the responsibility of the installer to ensure this fireplace is installed in compliance with the manufacturers instructions and all applicable codes.

Section A: Before You Start

NOTICE

Installation and repairs should be done by an authorized gas fireplace service technician. The appliance should be inspected before use and at least annually by a professional. More frequent cleaning may be required due to excessive lint from carpeting, bedding material, etc. It is imperative that control compartments, burners and circulating air passageways of the fireplace are kept clean.



CAUTION

Due to high operating temperatures, this appliance should be located out of traffic & away from furniture and draperies. Children and adults should be alerted to the hazards of the high surface temperature, which could cause burns or clothing ignition. Young children should be carefully supervised when they are in the same room as the appliance. Clothing or other flammable materials should not be placed on or near the appliance.



DANGER

When this appliance is installed directly on any combustible material other than wood flooring, it must be installed on a metal or wood panel extending the full width and depth of the appliance or a fire will occur causing serious injury, property damage or even death.

WARNING

A barrier designed to reduce the risk of burns from hot viewing glass is provided with this appliance and shall be installed for the protection of children and other at-risk individuals.

If the barrier becomes damaged, the barrier shall be replaced with the manufacturer's barrier for this appliance.

WARNING

Any safety screen, guard, or barrier removed for servicing an appliance must be replaced prior to operating the appliance.

Pre-Installation Checklist

- Determine the desired install location of your fireplace.
- See Section 1, Dimensions on Page 5, and refer to the Framing Section 2 for details.
- Select your type and location of your Power Vent run: Roof Mounted **PVVEX510-300**, External Wall Mounted **PVHEX510-300**, or Flush Louver Wall Mounted **PVHFL58-300**.
- Lay out the Vent run; calculating the required elbows and straight runs of 5"/10" flex and/or rigid pipe.
- Your termination location should be selected to provide the shortest possible vent run.
- Refer to the Section 4 on Page 10, "Installing the Power Vent" for details.
- Montigo supplies 20' of low voltage wire, which can be spliced to any length. This wire CANNOT run in conduit with any other wire.
- Refer to Section 5 on Page 18, for Wiring Details.
- The gas connection is located on the bottom side of the fireplace.
- Refer to local codes and guidelines for installation requirements.
- Installation and repairs should be done by a qualified contractor and must conform to:
 - **Installations in Canada** must conform to the current CAN/CGAB-149.1 and .2 Gas Installation Code and local regulations.
 - **Installations in the USA** must conform to local codes, or in the absence of local codes to the National Fuel Gas Code, ANSI Z223.1-1988.
 - **See Appendix C for installation within the State of Massachusetts.** This fireplace must comply with NFPA-54 Chapter 10.
- Refer to Section 6 Page 21, "Installing the Gas Line" for Details.

Understanding the Basic Operation of the Residential R520-ST & R620-ST Fireplace

Residential R520-ST & R620-ST fireplace

The control compartment of this fireplace is located in the bottom of the fireplace right below the burner system. All models will be supplied with a Honeywell smart valve gas control and will not have a variable flame control. There are two air switches that are controlling the gas control system, and are located in the bottom of this fireplace. These gas valves, and pressure switches communicate with the electrical control panel via a six conductor cable supplied with the fireplace.

To operate the fireplace, Montigo has supplied and installed twenty feet of low voltage wire to this electrical control panel. Connect the two wire harness to a standard single pole ON/Off switch located at a location of your choice. You may also extent these wires to any length, as long as you select a wire of equal quality.

Installation



Standard Installation Checklist

This standard installation checklist is to be used by the installer in conjunction with, not instead of, the instructions contained within this installation manual.

Customer	_____	Date Installed:	_____
Install Address:	_____	Location of Fireplace:	_____
	_____	Installer:	_____
Model (circle one):	R520STDFN R520STDFL	Dealer Phone:	_____
	R620STDFN R620STDFL	Serial #:	_____

	YES	NO	IF NO, WHY NOT?
Appliance Install: Section 2			
Framing complies with install manual.			
Standoffs have been installed.			
Proper clearances have been maintained.			
Venting: Section 3			
Venting configuration complies with vent diagrams.			
Venting installed, fastened, and secured in place maintaining proper clearance.			
Firestops installed.			
Exterior wall/roof flashing installed and sealed in compliance with local building code.			
Terminations installed and sealed in compliance with local building code.			
Direct vent termination is highest point in vent assembly.			
Wiring/Electrical: Section 4			
Unswitched power provided to the appliance PPO box.			
Low voltage wire connected to dry contact wall switch (non-powered)			
Gas: Section 5			
Proper appliance for fuel type.			
Was a conversion performed?			
Leak check performed & inlet pressure verified.			
Finishing: Section 6			
Only non-combustible materials installed in non-combustible areas.			
Clearances meet installation manual requirements			
Mantels and/or projections comply with install manual			
Appliance Setup: Section 7 through 9			
Media, door, and screen installed according to install manual			
Manual given to home owner.			
Started appliance and verified no gas leaks exist.			
Comments:			



Installation

Introduction to the R-Series Fireplace:

The complete system will require a firebox, a power vent module, an electrical control panel, and a vent system. The appropriate vent system will connect the firebox to the power vent module and will be placed in a vertical or horizontal location. **The R-Series fireplace is not a heat efficient fireplace and should not be used with a thermostat to heat your home. This product is a fire feature and should only be used to enhance the ambiance of the room.** Please review the Installation Checklist on **Page 4** for general information on preparing for a successful installation of your fireplace.

Install location:

The R-Series fireplace may be installed in any location that maintains proper clearances to air conditioning ducts, electrical wiring, and plumbing. Safety, as well as efficiency of operation, must be considered when selecting the fireplace location. Try to select a location that does not interfere with room traffic, has adequate ventilation, and offers an accessible pathway for Power Vent installation.

Basic Operation:

The gas control components of this fireplace are located in the bottom of the firebox below the burner system. All models are supplied with a Honeywell smart valve gas control and do **NOT** have a variable flame control. There are two air switches that control the gas control system, located in the bottom of the firebox. These gas valves and pressure switches communicate with the electrical control panel through a six conductor cable supplied with the fireplace.

To operate the fireplace, Montigo supplies 20' of low voltage wire from the electrical control panel. Connect the two wire harnesses to a standard single pole ON/OFF switch to the location of your choice. You may extend these wires up to 100' in length with a wire of equal quality.

CAUTION: Do NOT connect power to these wires.

ON/OFF control of this appliance can also be performed using an optional remote control available from your Montigo dealer.

WARNING

The **R520ST*** & **R620ST*** are classified under power vented fireplace systems. Under no circumstances can these models be installed without a Power Vent Module. For **Horizontal Vent Installations**, use 5"/10" Power Vent Motor PVHEX510-300 or PVHFL510-300. For **Vertical Vent Installations**, use 5"/10" Power Vent Motor PVVEX510-300.



Installation

Rating Plate Sample

**Do Not Remove
This Label**

**N'enlevez Pas
Cette Étiquette**

Type: **Natural Gas / Gaz Naturel** **Propane / Gaz Propane**

Model No. / Modèle: R520-ST-1

Serial No.: 2-171019-000000

Manufacturer / Fabricant: Canadian Heating Products Inc., Langley BC, www.montigo.com
Montigo DelRay Corp., Ferndale, WA, www.montigo.com

Tested To / Examiné À: ANSI Z21.50-2016 / CSA 2.22-2016

Electrical Rating / Estimation Électrique: Power Vent 120V / 1Ph / 60Hz / Less than 12A

Altitude Rating / Estimation D'Altitude: N & H (0 - 4500 ft. / 0 - 1371 m).

Fuel Type / Type De Carburant:

Max. Input Max. Entrée BTU/H	Min. Input Min. Entrée BTU/H	Output / Rendement BTU/H	Orifice Size / Taille D'Orifice Front/Avant Rear/Derrière	Gas Manifold Pressure / Pression D'Admission Du Gaz	Min. Gas Supply Pressure/ Min. Pression D'Alimentation Du Gaz
80,000	80,000	N/A	5@46DMS / N/A	3.5" W.C.	5.5" W.C.
80,000	80,000	N/A	5@56dms / N/A	10" W.C.	11" W.C.

FOR USE WITH GLASS DOORS AND SCREENS CERTIFIED WITH THE APPLIANCE ONLY
Pour utilisation avec portes de verre and écrans de certifiés avec l'appareil seulement

***Refer to installation manual for more information.**
*Référez-vous au manuel d'installation pour plus d'information.

LB11207D-V5.1 R/P/VIEW_HSI_WITH_SCREEN_AUG.17.2015

Figure A: Rating Plate for R520-ST

**Do Not Remove
This Label**

**N'enlevez Pas
Cette Étiquette**

Type: **Natural Gas / Gaz Naturel** **Propane / Gaz Propane**

Model No. / Modèle: R620-ST-1

Serial No.: 2-171019-000000

Manufacturer / Fabricant: Canadian Heating Products Inc., Langley BC, www.montigo.com
Montigo DelRay Corp., Ferndale, WA, www.montigo.com

Tested To / Examiné À: ANSI Z21.50-2016 / CSA 2.22-2016

Electrical Rating / Estimation Électrique: 115V/1Ph (or 208V/1Ph for => 1.0HP PV)/60Hz/15A Dedicated

Altitude Rating / Estimation D'Altitude: N & H (0 - 4500 ft. / 0 - 1371 m).

Fuel Type / Type De Carburant:

Max. Input Max. Entrée BTU/H	Min. Input Min. Entrée BTU/H	Output / Rendement BTU/H	Orifice Size / Taille D'Orifice Front/Avant Rear/Derrière	Gas Manifold Pressure / Pression D'Admission Du Gaz	Min. Gas Supply Pressure/ Min. Pression D'Alimentation Du Gaz
100K	100K	N/A	6@45dms / N/A	3.5" W.C.	5.5" W.C.
100K	100K	N/A	6@1.25MM/ N/A	10" W.C.	11" W.C.

FOR USE WITH GLASS DOORS AND SCREENS CERTIFIED WITH THE APPLIANCE ONLY
Pour utilisation avec portes de verre and écrans de certifiés avec l'appareil seulement

***Refer to installation manual for more information.**
*Référez-vous au manuel d'installation pour plus d'information.

LB11207D-V5.1 R/P/VIEW_HSI_WITH_SCREEN_AUG.17.2015

Figure B: Rating Plate for R620-ST



Installation

Section 1: Installation Overview and Product Dimensions

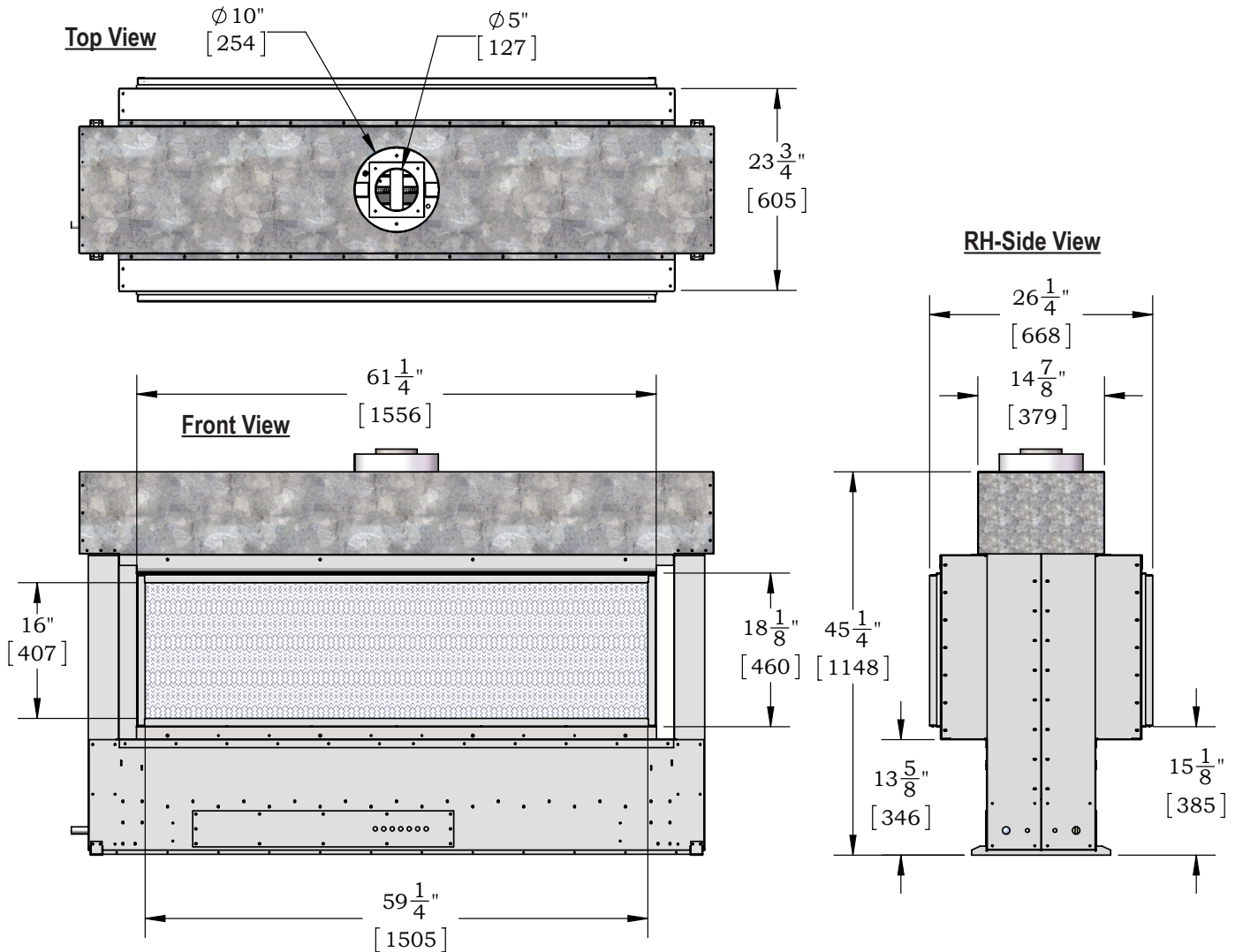


Figure 1 Sec.1 Fireplace dimensions - R520-ST

Clearances

To ensure the **C-View Residential R520-ST** and **R620-ST** Fireplaces operate safely, all models must maintain the following clearances.

Clearances to Combustibles				
Model#	Top	Sides	Floor	Mantel
R-Series R520	26"	3"	0"	See Section 3 Finishing around the fireplace
R-Series R620	26"	3"	0"	

Unprotected combustible walls which are perpendicular to the fireplace opening, must not be closer to the fireplace than the required 6" clearance.

Installation



Section 1: Installation Overview and Product Dimensions

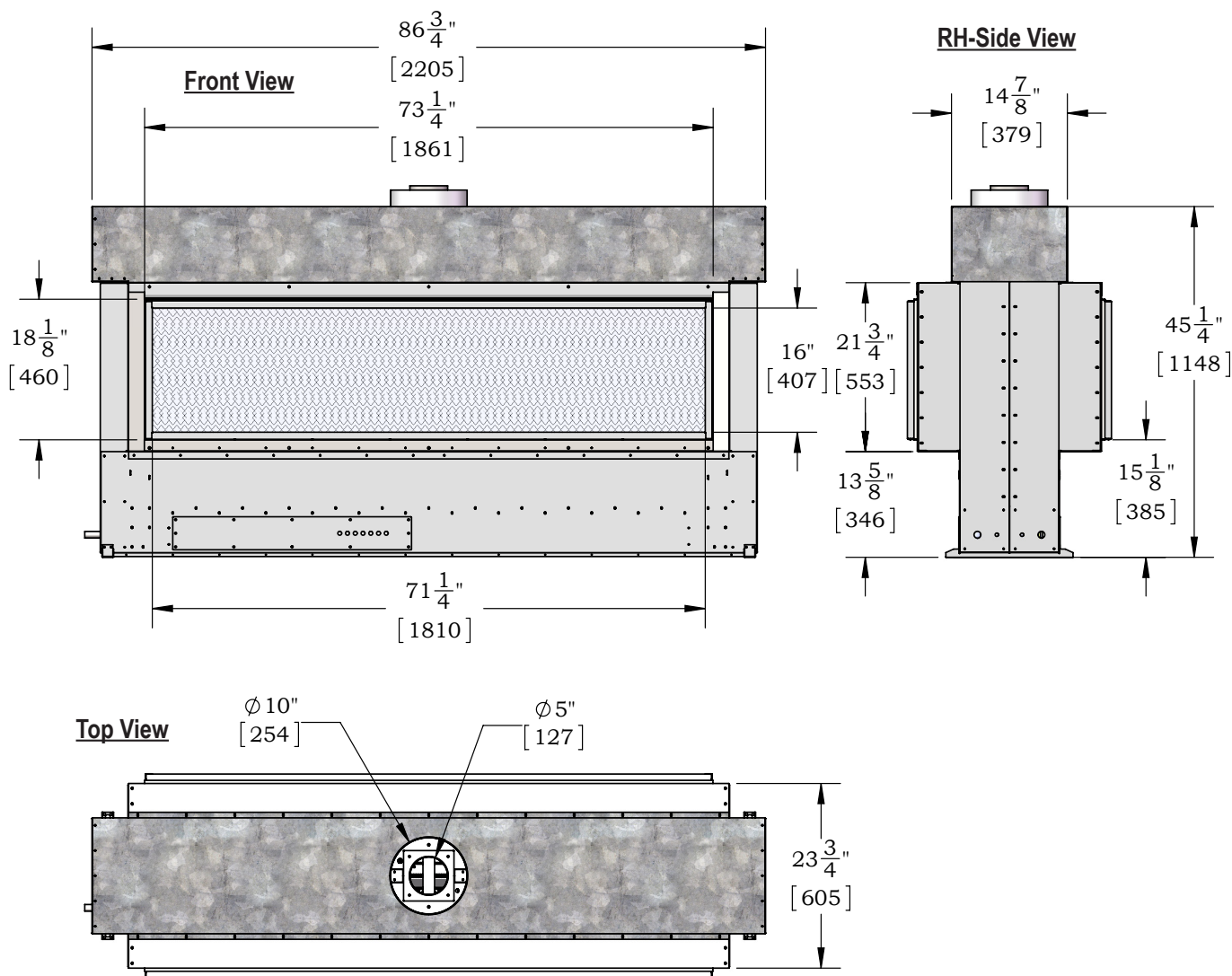


Figure 2 Sec.1 Fireplace dimensions - R620-ST.



Installation

Section 2: Framing

Step 1. You will need to construct a platform in the framing for the fireplace to sit on. To determine how high to build the platform you must determine the how high you would like the bottom edge of your glass viewing area to be. The bottom edge of the glass sits 15 1/8" above the top of the platform. Please note: The top of the platform may not exceed 24" in a room with 8' ceilings.

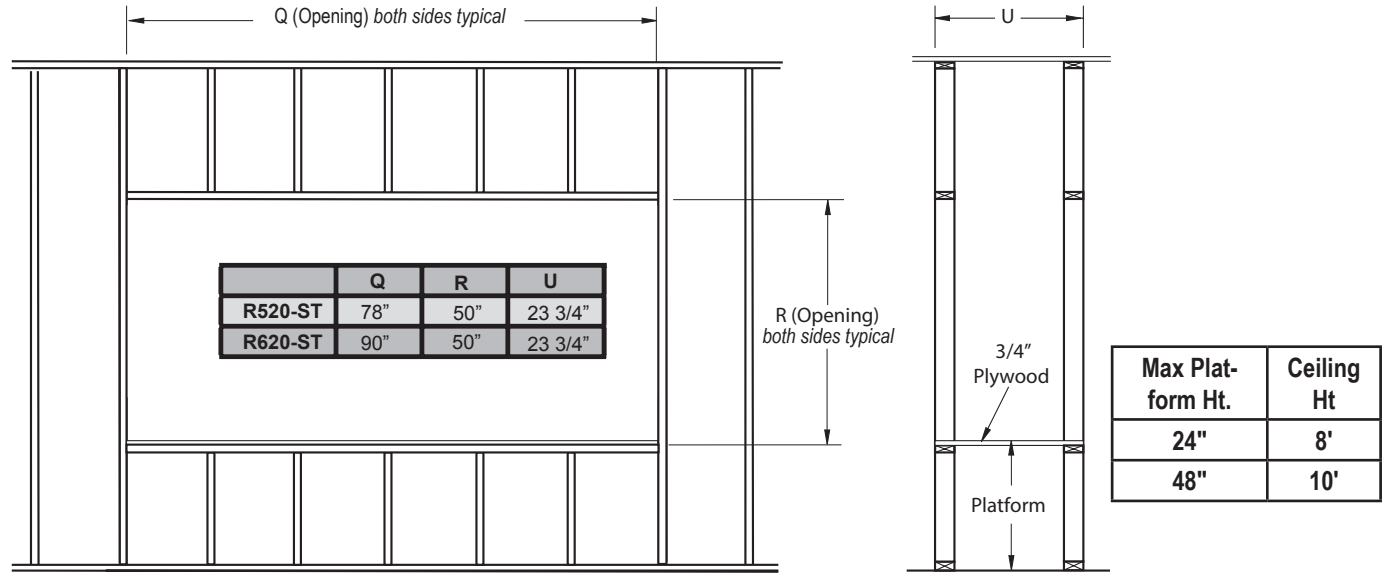


Figure 1 Sec.2 Fireplace installation, (Rough Frame-In dimensions) Both Sides are Typical.

Note: Images are shown without screens for clarity purposes. However, your fireplace should not be operated without proper installation of screens.

Step 2. Once the fireplace is placed on the platform, ensure there is access to install the vent pipe, and inline power vent module if applicable and the gas line. Note the gas line connection location and room to provide a gas service shut-off valve; according to local gas codes. Before fastening in place line up the front face and rear face of the fireplace (top and bottom), Figure 1. then secure in place with 1/4" wood screws.

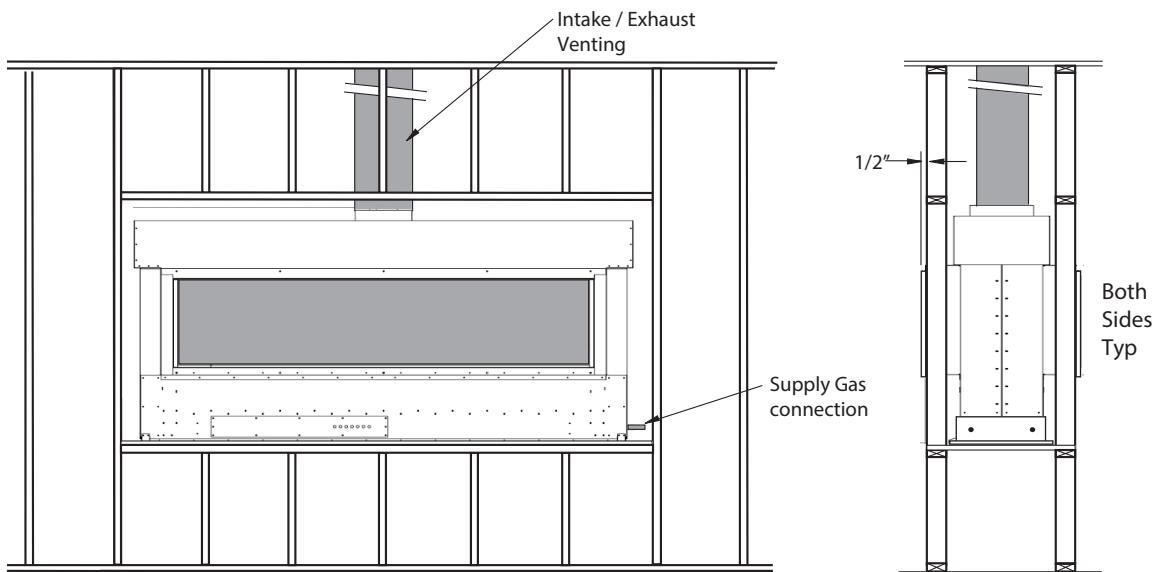


Figure 2 Sec.2. Fireplace installation, (Inlet Gas & Power Vent) .

Step 3. Back-framing the Fireplace (Typical Both sides).

Back -frame in the fireplace using typical framing practice, see **Figure 2** on both sides and meeting clearance requirements shown on page 5. Install the non-combustible headers supplied by Montigo above the fireplace on both sides as required to attach facing. For cleanest finish ensure that the facing material is installed flush to the glass viewing area.

Installation



NOTE: Remember, both sides of the Fireplace require the same quantities of wood, drywall and hardware.

Cut the Upper and Lower Horizontal 2 x 4's as shown in **Figure 2**. Next, cut the Required quantity of short filler 2x4's under the lower Horizontal. Follow Typical building codes and practices when spacing. Next, cut the Required Left and Right Vertical 2 x 4's as shown in **Figure 3**.

Lastly, install the Two (2) Supplied Steel Headers above the fireplace throat positioned to attach facing material.

NOTE: When this assembly is in place, ensure ALL the required clearances to combustibles are maintained.

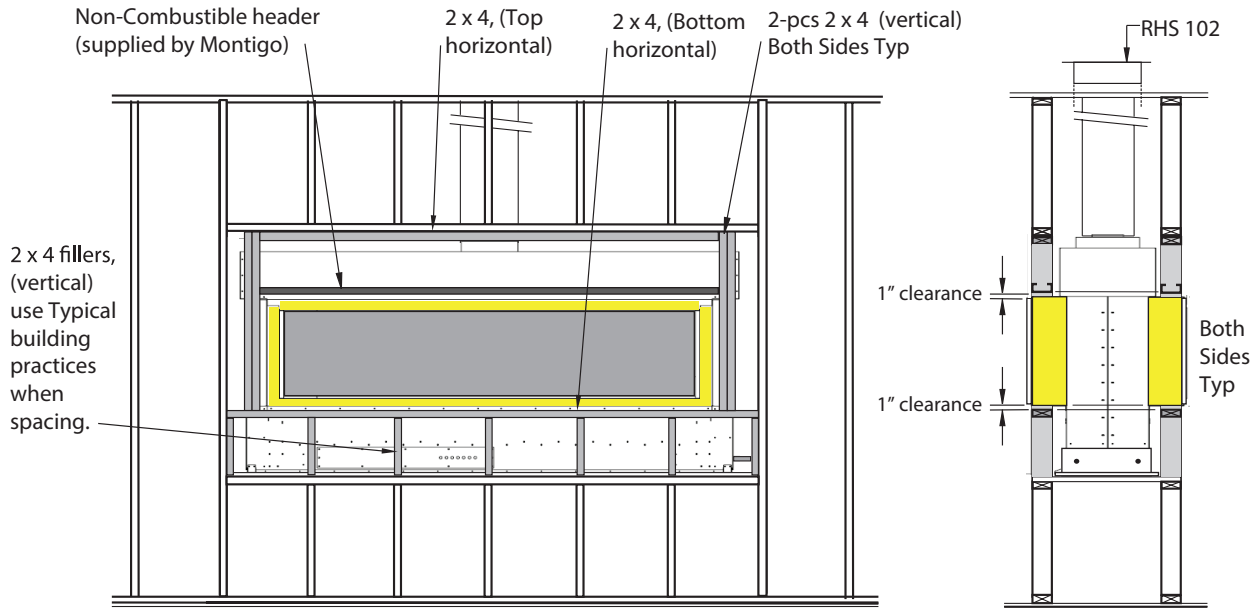


Figure 3 Sec.2 Fireplace installation, *Both Sides are Typical.*

Step 4. Installation of the RHS 102 heat shield (See "**Figure 7 Sec.4** on page 16").

When the vent passes through the first adjacent ceiling (or wall for horizontal runs) a Montigo RHS102 heat shield must be installed around the pipe as shown above.

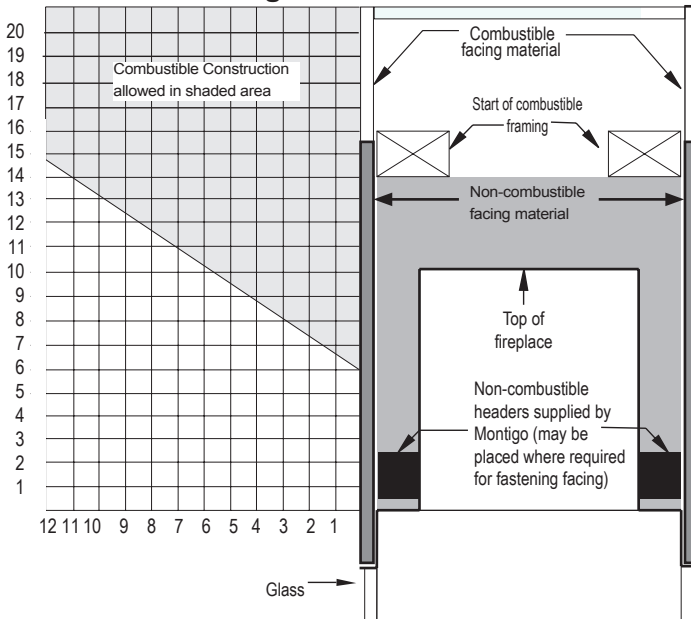
See the detail of the RHS 102 on **page 13**.

Note: Images are shown without screens for clarity purposes. However, your fireplace should not be operated without proper installation of screens.



Installation

Section 3: Finishing



Note: Images are shown without screens for clarity purposes. However, your fireplace should not be operated without proper installation of screens.

Figure 1 Sec.3 Combustible mantles and facings. (Not to scale)

Fireplace Facing

When selecting the finish material for your fireplace, it is important to remember the following:

If the surround of the fireplace is to be painted to match the room decor, heat-resistant paint must be provided. Also, decorative facing must not extend past the fireplace opening at all, because it will interfere with the access to retainers for removal of glass door and access to the lower compartment.

Mantels & Surrounds

NOTE: National Canadian Gas Association mantel test requirements are for fire hazard prevention to combustible materials.

Please be aware; temperatures over the mantel will rise above normal room temperature and walls above fireplace may be hot to touch.

Warning:

We recommend careful consideration be given to the effects of elevated mantel temperatures which may be in excess of product design, for example: candles, plastic or pictures. This can cause melting, deformation, discoloration or premature failure of T.V. and radio components.

WARNING

When this appliance is installed directly on ANY combustible materials other than wood flooring (carpet, vinyl, etc), it must be installed on an equivalent wood or metal panel. This material must extend the full width and depth of the appliance.

Installation



Section 4: Installing the Vertical Power Vent

Montigo supplies a variety of power venting options. The location of the power vent should be selected and laid out to provide the shortest possible run to an external wall or through the roof.

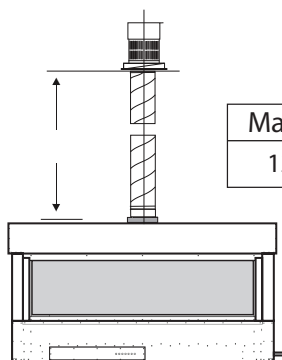
Section 4-1: Installing a Roof Mounted Vertical Exterior Power Vent

This section applies to installations where the shortest possible vent run is through the roof. Refer to **Appendix A - Power Vent Locations**, to ensure the planned Power vent location is acceptable. Once the vent location has been established, please refer to the appropriate section below for installation details.

Section 4-1-1: Venting Layout

Selection of components and details of venting lay out should adhere to the following guidelines:

- Ensure the maximum vent run does not exceed 80'.
- Ensure the number of 90° elbows does not exceed 6.
- Ensure the number of 45° elbows does not exceed 12.



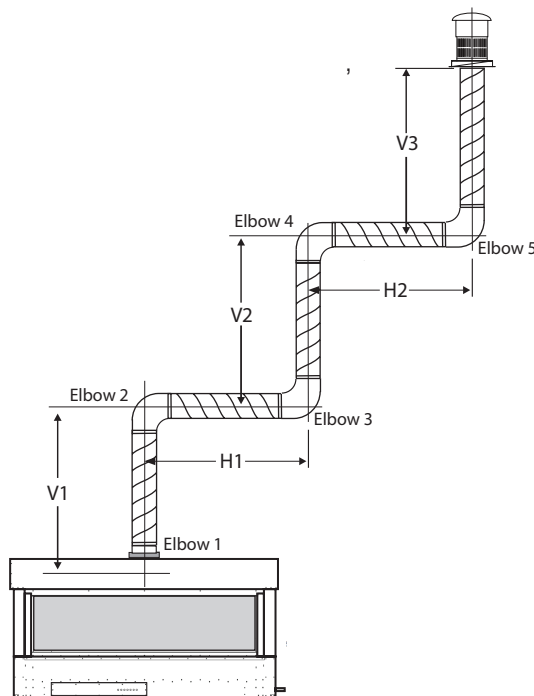
Max V	Max Elbows
120' feet	N/A

Figure 1 Sec.4 Typical straight Venting Installations

Note: Images are shown without screens for clarity purposes. However, your fireplace should not be operated without proper installation of screens.

Multi-Elbow Installations

Multi-elbow installations are possible up to a maximum of six 90° elbows.

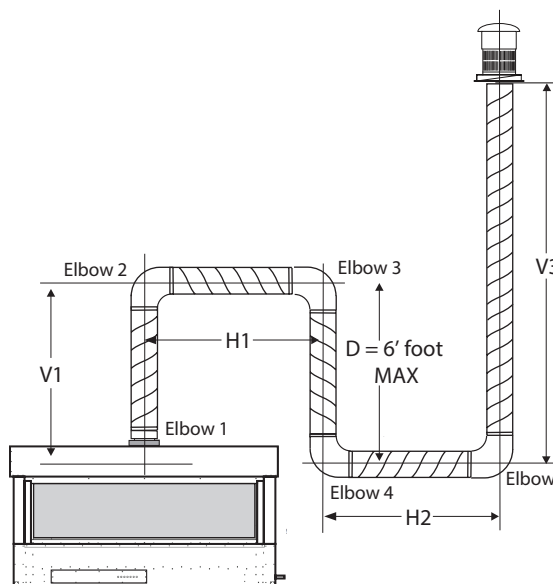


Max $V1 + H1 + V2 + H2 + V3$	Max Elbows
100' feet	six 90

Figure 2 Sec.4 Multi-elbow Venting Installations.

Downward Vertical Venting

Note: The downward vent run must not exceed 6' of vent run.



Max $V1 + H1 + D + H2 + V3$	Max Elbows
40' feet	six 90

Figure 3 Sec.4 Downward Venting Installations.



Installation

Section 4-1-2: Venting Components

The following venting components and associated Montigo part numbers are available for the appliance:

A - Termination	PVVEX510-300
B - Rough-in Frame	Supplied with PVVEX510-300
C - Flex Sections	RLF-1 (12" Section) RLF-2 (24" Section) RFL-3 (36" Section) RFL 4 (48" Section)
D - Rigid Sections	REXT-1 (12" m/f Section) RXT-20 (20" Section) REXT-2 (24" m/f Section) REXT-3 (36" m/f Section) REXT-4 (48" m/f Section)
E - Elbows	REL-90MM (m/m 90° Elbow) REL-90FF (f/f 90° Elbow) REL-90FM (f/m 90° Elbow) REL-45FM (f/m 90° Elbow)
F - Power Cord Harnesses	EPVH10-10 foot power cord & harness EPVH20-20 foot power cord & harness EPVH30-30 foot power cord & harness EPVH40-40 foot power cord & harness EPVH50-50 foot power cord & harness EPVH60-60 foot power cord & harness EPVH70-70 foot power cord & harness EPVH80-80 foot power cord & harness EPVH70-70 foot power cord & harness EPVH70-70 foot power cord & harness EPVH80-80 foot power cord & harness EPVH90-90 foot power cord & harness EPVH100-100 foot power cord & harness

Section 4-1-3: Installation of the Vertical External Roof Mounted Power Vent Module

Refer to **Appendix A - Power Vent locations**, to ensure the planned Vertical Power vent location is acceptable.

See **Power Vent manual** for installation instructions.

Connection and installation of the vent components should adhere to the following guidelines:

- Connect all vent sections using a minimum of three sheet metal screws on the outer pipe flue.
- Ensure the pipe ends male to female slide in a minimum of 1 1/2" of overlap.
- Ensure all horizontal runs are supported with a minimum of 3 supports per 10' of venting.
- When hanging/supporting venting, ensure that 1" clearance is maintained on all sides to any combustible material.
- Ensure when cutting sections of rigid pipe to maintain integrity of internal supports.
- Place the springs, supplied with the pipe kit, between the outer and inner pipes to keep the pipes separate and avoid any possible hot spots.
- Montigo recommends the use of a flex section for the final pipe connected directly to the fireplace offering greater flexibility of installation and absorption of movement.
- All exterior joints in venting should be sealed with high heat silicone RV230.

Installation



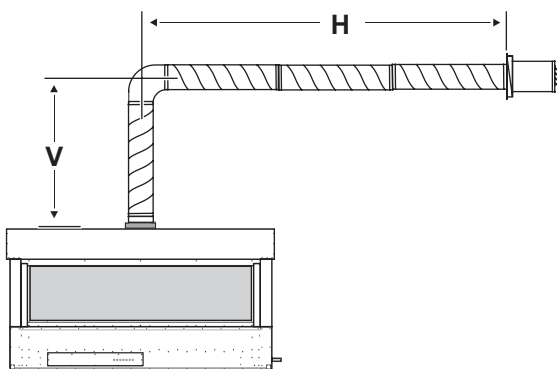
Section 4-2: Installing a Wall Mounted Horizontal Exterior Power Vent

This section applies to installations where the shortest possible vent run is through an exterior wall. Refer to **Appendix A - Power Vent locations**, to ensure the planned Power vent location is acceptable. Once the vent location has been established, please refer to the appropriate section below for installation details.

Section 4-2-1: Venting Layout

Selection of components and details of venting lay out should adhere to the following guidelines:

- Ensure the maximum vent run does not exceed 100'.
- Ensure the number of 90° elbows does not exceed 6.
- Ensure the number of 45° elbows does not exceed 12.



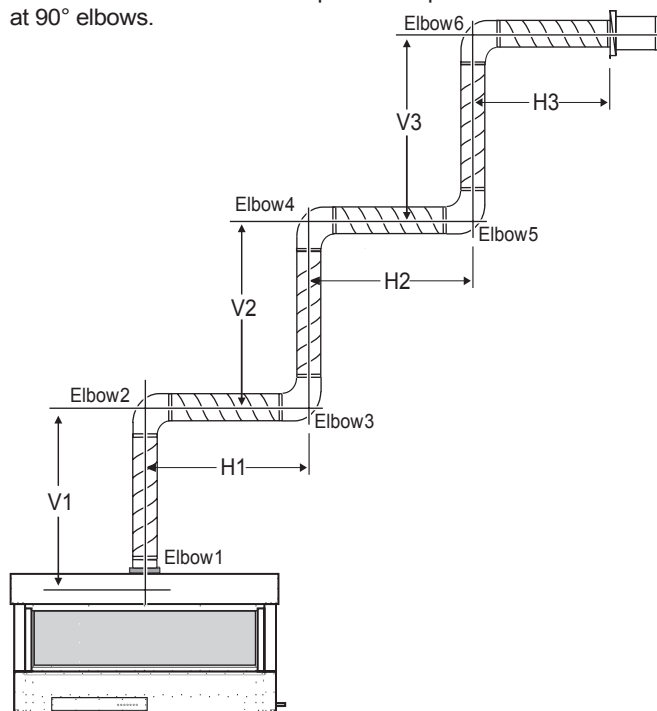
Venting Installation	
V + H (Maximum Length)	Max. # Elbows
100 Feet	six 90

Figure 4 Sec.4. Typical Venting Installations.

Note: Images are shown without screens for clarity purposes. However, your fireplace should not be operated without proper installation of screens.

Multi-Elbow Installations

Multi-elbow installations are possible up to a maximum of six at 90° elbows.

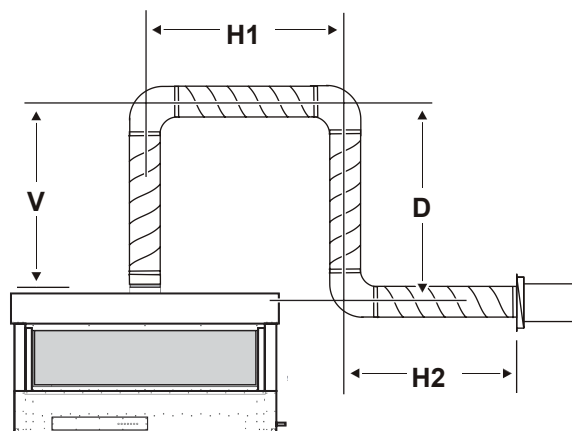


Multi Elbow - Venting Installation	
$V1 + H1 + V2 + H2 + V3 = H3$ (Maximum Length)	Max. # Elbows
100 Feet	6

Figure 5 Sec.4. Multi-elbow Venting Installations.

Downward Vertical Venting

Note: The downward vent run must not exceed 6' of vent run.



Multi Elbow - Venting Installation	
$V1 + H1 + D + H2$ (Maximum Length)	Max. # Elbows
40 Feet	6

Figure 6 Sec.4 Downward Venting Installations.



Installation

Section 4-2-2: Venting Components

The following venting components and associated Montigo part numbers are available for horizontal installations:

A - Termination	PVHEX510-300 Wall Mount 5'/10" PVHFL510-300 Flush Wall Mount 5'/10"
C - Flex Sections	RFL1 (12" f/f Section) RFL2 (24" f/f Section) RFL3 (36" f/f Section) RFL4 (48" f/f Section) RFL6 (72" f/f Section)
D - Rigid Sections	RXT - 10 (10" f/f Section) RXT - 20 (20" f/f Section) REXT - 1 (12" f/m Section) REXT - 2 (24" f/m Section) REXT - 3 (36" f/m Section) REXT - 4 (48" f/m Section) REXT - 6 (72" f/m Section)
E - Elbows	REL-90MM (m/m 90° Elbow) REL-90FF (f/f 90° Elbow) REL-90FM (f/m 90° Elbow) REL-45FM (f/m 45° Elbow)
F - Support Ring & Plate	RSPXT-10
G - Firestop	FS-10
H - Heat Shield	RHS102

Connection and installation of the vent components should adhere to the following guidelines:

- Connect all vent sections using a minimum of three sheet metal screws on the outer pipe flue.
- Ensure the pipe ends male to female slide in a minimum of 1 1/2" of overlap.
- Ensure all runs are supported with a minimum of 3 supports per 10' of venting.
- When hanging/supporting venting, ensure that 1" clearance is maintained on all sides to any combustible material.
- Ensure when cutting sections of rigid pipe to maintain integrity of internal supports.
- Place the springs, supplied with the pipe kit, between the outer and inner pipes to keep the pipes separate and avoid any possible hot spots.
- Montigo recommends the use of a flex section for the final pipe connected directly to the fireplace offering greater flexibility of installation and absorption of movement.
- All exterior joints in venting should be sealed with high heat silicone RV230.

Section 4-2-3: Installation of the horizontal external wall mounted power vent module.

Note: See power vent manual for installation instructions.

Refer to **Appendix A - Power Vent locations**, to ensure the planned Vertical Power vent location is acceptable.

Section 4-3: Heat Shields

Installing a Wall Mounted RHS102 Heat shield

The RHS102 Heatshield **must be used if vent pipe passes through a wall or ceiling within 6' of the unit.**

To install the RHS102, Slide the Inner Section over the vent pipe that will connect to the fireplace. Then fasten the vent pipe to the back of the fireplace with a minimum of three sheet metal screws. From the outside slide the RHS102 outer section on. To complete the installation fasten the Heat Shield Outer Section & inner section to the structure. See **Figure 7 Sec.4.**

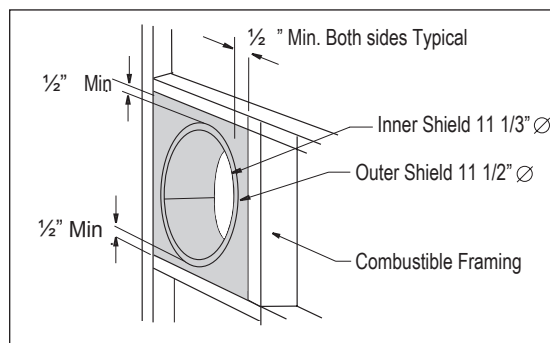


Figure 7 Sec.4 RHS102 Installation. (Install by sliding over vent pipe where it passes through the combustible construction).

Installation



Section 5: Wiring

Installing the Fireplace Control Box

Install the Fireplace Control Box in an accessible location. The location should be where maintenance, adjustments and service may be made easily.

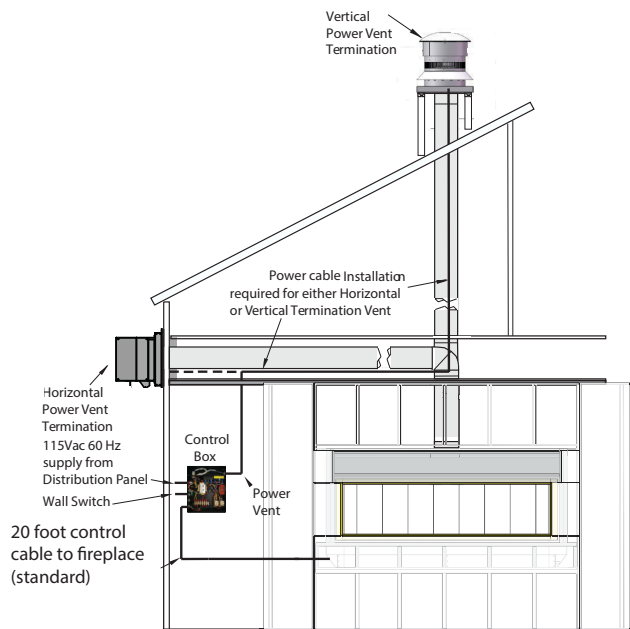


Figure 1 Sec.5 R520ST* / R620ST* Series Control Box / Power Vent Wire Routing Diagram

CAUTION

Ensure the wires are properly isolated from metal parts or control system will be damaged.

Note: Images are shown without screens for clarity purposes. However, your fireplace should not be operated without proper installation of screens.



Installation

Installation of Electrical Supply

The **R520ST / R620ST** is supplied with an external electrical control panel pre-wired by the factory. The control box is connected to the fireplace with a 20 foot long control cable that will communicate with the fireplace. The control panel should be located where it can be accessed when the fireplace has been finished in.

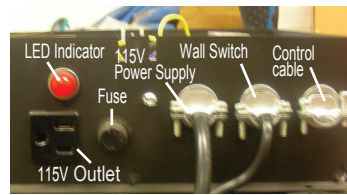
The power cord from the power vent module plugs into the side of this panel. The 20 foot low voltage wire is attached and connected to this panel as well. Connect a single pole On/Off switch (Black and White) to these two wires at a location of your choice, (See *Installing the Remote Switch*).

Montigo supplies 20' of low voltage wire to the electrical control panel. Connect the two wire harnesses to a standard single pole ON/OFF switch to the location of your choice. You may extend these wires up to 100' in length with a wire of equal quality.

Optional remote control available through your Montigo dealer.

Installations in Canada must be electrically grounded in accordance with **CSA C22.1** Canadian Electrical Code Part 1 and/or Local Codes.

Installations in the USA must be electrically grounded in accordance with local codes or, in the absence of local codes, with the National Electrical Code, **ANSI/NFPA 70**.



Left-side View



Right-side View

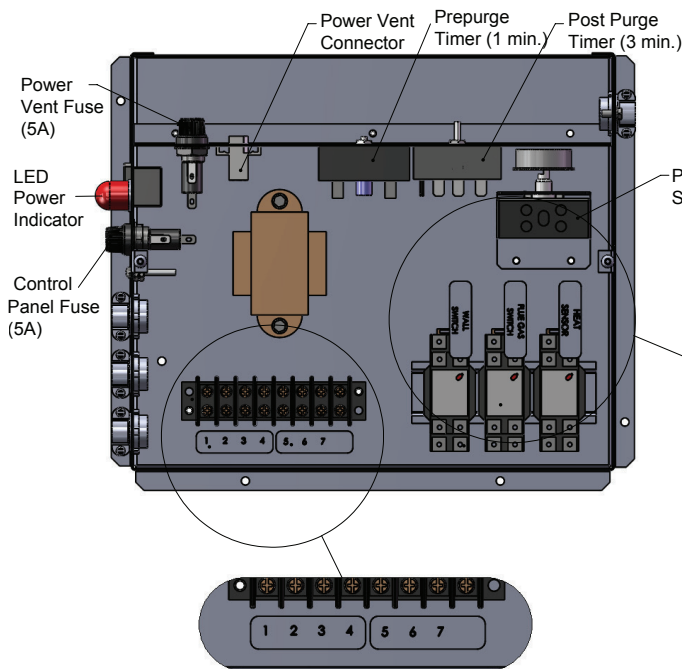
Figure 3 Sec.5 R520ST / R620ST Control Module

Installing the Wall Switch

The **R520ST / R620ST** may be connected to a wall switch. The system operates on a 24V AC. **DO NOT** connect this circuit to an external power source.



Figure 4 Sec.5 (Wall Switch Wire connection)



Note: ensure to maintain a 1" clearance around the control box.

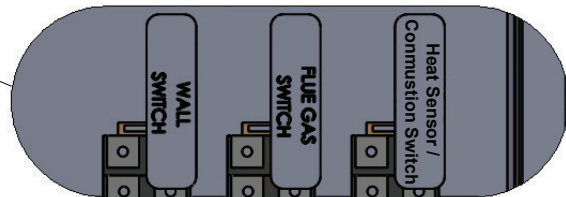
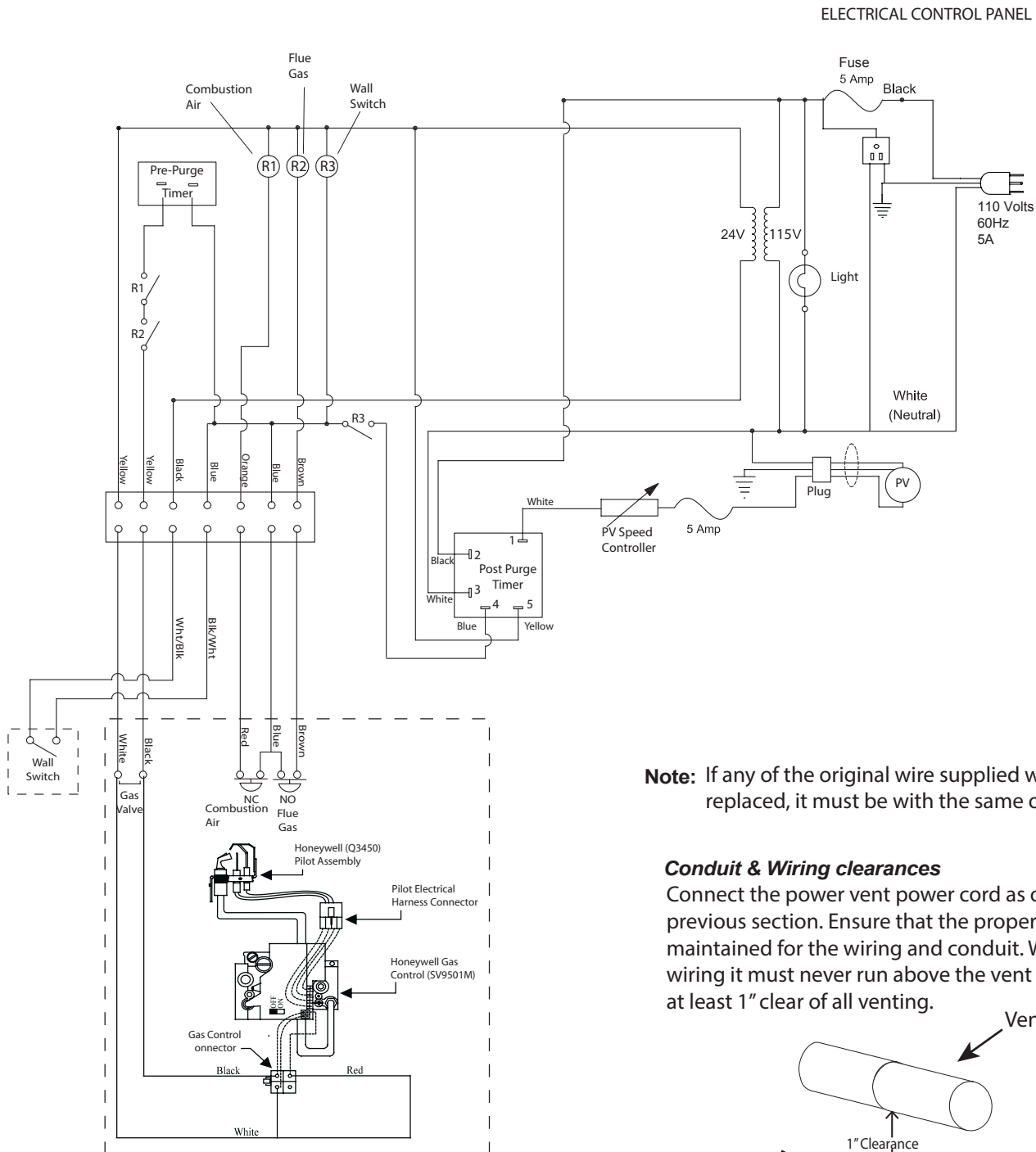


Figure 2 Sec.5 (Control Panel Overview)

Installation



Note: If any of the original wire supplied with the appl replaced, it must be with the same or its equal

Conduit & Wiring clearances

Connect the power vent power cord as outlined in t previous section. Ensure that the proper clearances maintained for the wiring and conduit. When installi wiring it must never run above the vent run and it m at least 1" clear of all venting.

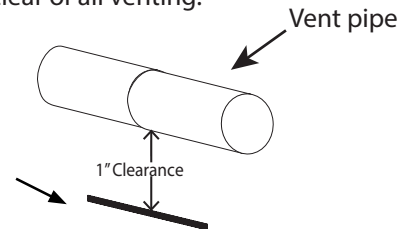


Figure 5 Sec.5 R520ST* / R620ST* Wiring Diagram

Figure 6 Sec.5 Conduit and Wiring Clearances



Installation

Section 6: Installing the gas line

Fuel Type

Verify that your fireplace is compatible with your available gas type. Natural Gas or Propane shown by "N" or "L" in your model number on rating plate.

Gas Pressure

Optimum appliance performance requires proper input pressures. Gas line sizing requirements will be determined in ANSI Z221.3 National Fuel Gas Code in the USA and CAN/CGAB149 in Canada.

Pressure requirements (during operation):

Pressure Requirements		
Gas Pressure	Natural Gas	Propane
Minimum Inlet Pressure	5.5" W.C.	11" W.C.
Manifold Pressure	3.5" W.C.	10" W.C.

The manifold outlet pressure is set from the factory to the appropriate pressure but should be verified.

To check pressures, control valves have a provision to remove a 1/8" N.P.T. plug to be fitted with a hose barb.

Montigo requires a service shut off valve be located in an accessible location to isolate the gas supply.

Only install gas shut-off valves approved for use by the state, province, or other governing body in which the fireplace is being installed.

GAS CONNECTION

See **Figure 1 Sec.6** below for location of gas line access.

Flexible gas connectors must not exceed 3 feet in length, unless allowable within local regulations.

Connect incoming gas line to the 1/2" Male NPT gas inlet.

Purge all air out of gas line before connecting port.

Check appliance connection, valve and valve train under normal operating pressure with a commercially available leak check solution.

DO NOT USE A FLAME OF ANY KIND TO TEST FOR LEAKS.

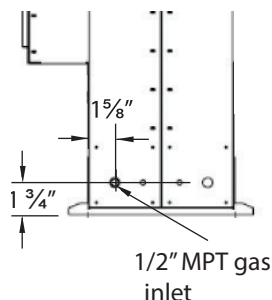


Figure 1 Sec.6 Gas Inlet Supply location.

Located next to the Gas Inlet is the Combustion Air Switch Sensor Line.

Do NOT obstruct or alter the Combustion Air Switch Sensor Line.

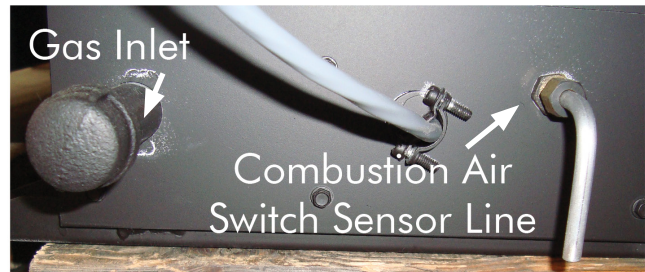


Figure 2 Sec.6 Identifying the Gas Inlet and Combustion Air Switch Sensor Line



DANGER

After gas line is connected, each appliance connection, valve and valve train MUST be checked while under normal operating pressure with either a Liquid Solution, or Leak Detection Device, to locate any source of leak. Tighten any areas where bubbling appears or a leak is detected until bubbling stops completely or leak is no longer detected. DO NOT use a flame of any kind to test for leaks. A fire or explosion will occur, causing serious injury, property damage or death.

NOTICE

When pressure testing the fireplace, Gas line, and input system follow the appropriate local codes for your area. DO NOT connect the fireplace to pressures in excess of 1/2lb. This will damage the gas control valve.

Installation



Section 7: Testing the system

7-1: Testing the system before gas connection

Note: No gas is needed to test the system

The **R520ST*/R620ST*** Control and Power Vent System can be safely tested prior to finish framing the Fireplace. This test can be done quickly and efficiently to ensure all systems function according to the design specifications.

The fireplace should be installed on the rough-in frame, with the Power Vent Module and the Vent run connected.

- The control panel is supplied with a power cord plug in.
- Plug it into an extension cord or any other 115 Volt power supply.
- If the red LED is illuminated (beside the fuse) you have power to the panel.
- If no LED, check fuse and replace with equally rated fuse.
- Turn the wall switch to the on position.
- Wall switch and combustion air LED light up immediately, approximately 30 seconds later when the power vent reaches factory set speed. The flue gas switch LED will light up approximately 1 minute after flue gas LED is lit and the gas valve will turn on. You can hear a clicking sound and the Hot Surface Ignitor will glow red. This confirms the control system operation. **Note:** If the flue gas LED does not light up after 1 minute, slowly increase the power vent speed until the LED turns on. Speed controller located inside the control box, see **Figure 1 Sec.7**.



Figure 1 Sec.7 LED Indicators

7-2: Testing the system with gas connection

(Highly recommended)

The **R520ST*/R620ST*** Control and Power Vent System can be safely tested prior to finish framing the Fireplace. This test can be done quickly and efficiently to ensure all systems function according to the design specifications.

The fireplace should be installed on the rough-in frame, with the Power Vent Module and the Vent run connected.

- Turn gas supply valve on
- The control panel is supplied with a power cord plug in.
- Plug it into a extension cord or any other 110 Volt power supply.
- If the red LED is illuminated (beside the fuse) you have power to the panel.
- If no LED, check fuse and replace with equally rated fuse.
- Turn the wall switch to the on position.
- Once the fireplace is running normally, confirm manifold pressure and supply pressure.



Installation

Mantels & Surrounds

NOTE: National Canadian Gas Association mantel test requirements are for fire hazard prevention to combustible materials.

New technology, to meet consumer and government demands for the wise use of energy, has prompted us to manufacture many models of fireplaces which are hot, fuel and energy efficient.

Please be aware; temperatures over the mantel will rise above normal room temperature and walls above fireplace may be hot to touch.

We recommend careful consideration be given to the effects of elevated mantel temperatures which may be in excess of product design, for example: candles, plastic or pictures. This can cause melting, deformation, discoloration or premature failure of T.V. and radio components.

Side wall clearances are 6". Combustible surrounds may be installed with 6" clearance to the side of the fireplace as shown in **Figure 2 Sec.7**.

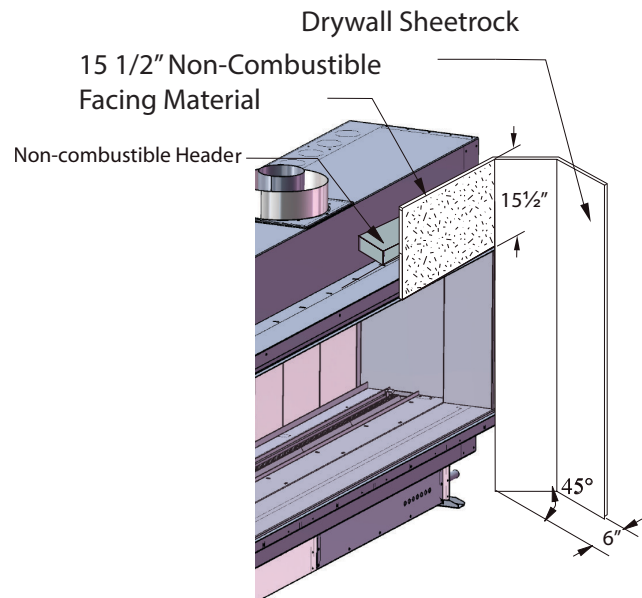


Figure 2 Sec.7 Combustible surrounds.

Installation



Section 8: Removing & Installing Screen and Window

Removing the Screen:

Follow the steps below to remove, or install the R520ST* / R620ST* fireplace screen and door.

Before beginning any screen or glass removal, make sure that the unit has not been in operation and that it is at room temperature.

Step 1: Prepare to Lift out Screen Assembly

Grip either end of the screen assembly and pull towards yourself. The screen assembly is held to the unit by both friction and magnets.

Step 2: Lift out the Retaining Tabs and Screen.

The Retaining Tabs are quite long and in most cases, this task would be better performed by two people.

Once the Retaining Tabs have come away from the Fireplace, lift the screen away and store in a safe place. The Screen is very fragile and can be easily torn, dented or deformed. Refer to Figure 1 Sec.9 below.

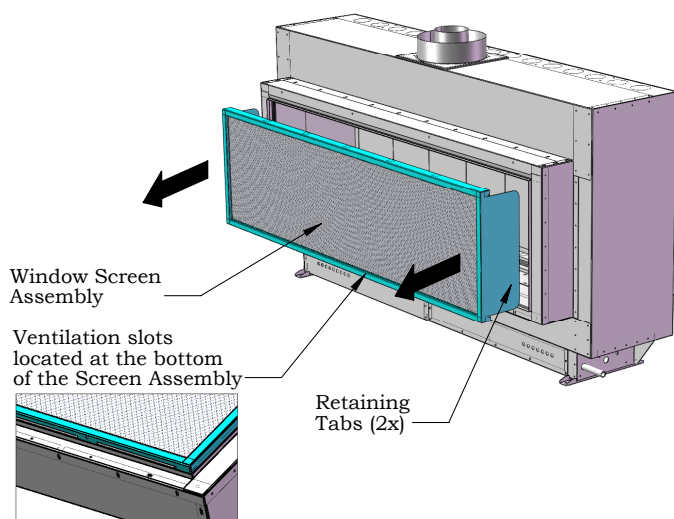


Figure 1 Sec.9 Screen Removal.

Removing the Window:

Follow the steps to remove, or install the R520ST*/R620ST* fireplace window.



Step 1: Use Glass Lifting Tools to Remove Window
Use the Glass Lifting Tools that are included with your fireplace (see image above). Attach one to each end of the window pane. Make certain that they are firmly attached and secure.

Step 2: Lift out Window from Grooves

The window is removed by first lifting upward on the glass and then by pulling the bottom out from the groove in which it was located (see image below).



Figure 2 Sec.8 Window Removal (using glass lifting tools).

Once the bottom of the window is clear of the fireplace, lower the window down from the upper groove in which it was located.

Lift the window clear of the fireplace and store it in a safe place.

Note: Never re-use the window if it has been broken, scratched or damaged in any way. The window is made of tempered glass, and although tempered glass is very durable - nicks, scratches or chips can seriously impact the window's strength.

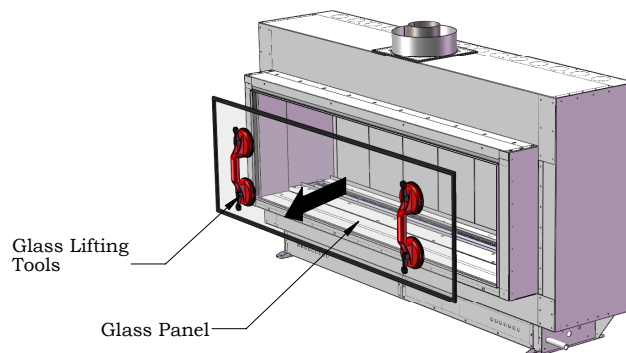


Figure 3 Sec.8 Window Removal.

Reinstalling the door:

Follow the four previous steps to re-install the R-Series fireplace window.



Installation

Section 9: Installing the Firestones

The **R520ST*** / **R620ST*** is supplied with glass firestones. To install the firestones remove the trim and door as shown in the previous section. Follow these instructions to ensure all parts are removed or replaced as required. Once the trim and glass door is removed, place the firestones randomly around the burners as shown in **Figures 1 Sec.9 and Figure 2 Sec.9**.

Note: DO NOT cover the burner with firestones or any other media.



Figure 1 Sec.9 Completed glass Firestone installation. Second Gen burner shown.



Figure 2 Sec.9 Operating Propane gas fireplace with designer glass Firestones surrounding burner tray. Second Gen burner shown.

Firestones

R520ST* requires eight 3lbs bags for a total of 24lbs of firestones

R620ST* requires nine 3lbs bags for a total of 27lbs of firestones

Optional River Rocks

The **R520ST*/R620ST*** has the option of installing the cultured rocks which mimic real stone. These may be spaced at random, or in a visual pattern of your preference. See the Montigo web site for photographs and ideas.

www.montigo.com

NOTICE

Do not operate this fireplace without the glass door or with a broken glass door.

Operation



Section 10: Start-up Sequence

FOR YOUR SAFETY - READ BEFORE LIGHTING :

DANGER

HOT GLASS WILL CAUSE BURNS.

DO NOT TOUCH GLASS UNTIL COOLED.

NEVER ALLOW CHILDREN TO TOUCH GLASS.

A barrier designed to reduce the risk of burns from the hot viewing glass is provided with this appliance and shall be installed for the protection of children and other at-risk individuals.

WARNING If the information in these instructions are not followed exactly, a fire or explosion may result causing property damage, personal injury or death.

WARNING / CAUTION: Hot while in operation. Do not touch. Severe burns may result. Keep children, clothing, furniture, gasoline and other liquids having flammable vapors away.

See installation and operating instructions accompanying this appliance.

- | | |
|--|--|
| <p>A. This appliance has a pilot which is lit automatically. Do not attempt to light the pilot by hand.</p> <p>B. BEFORE LIGHTING smell all around the appliance area for gas. Be sure to smell next to the floor because some gas is heavier than air and will settle on the floor.</p> <p>What To Do If You Smell Gas:</p> <ul style="list-style-type: none"> ■ Do not try to light the appliance. ■ Do not touch any electrical switch. Do not use any phone in your building. ■ Immediately call your gas supplier from a neighbour's phone. Follow the gas suppliers instructions. | <ul style="list-style-type: none"> ■ If you cannot reach your gas supplier, call the Fire Department. <p>C. Use only your hand to push in or turn the gas control knob. Never use tools. If the knob will not push in or turn by hand, don't try to repair it. Call a qualified service technician. Force or attempt to repair may result in a fire or explosion.</p> <p>D. Do not use this appliance if any part has been under water. Immediately call a qualified service technician to inspect the appliance and to replace any part of the control system, and any gas control which has been under water.</p> |
|--|--|

LIGHTING INSTRUCTIONS:

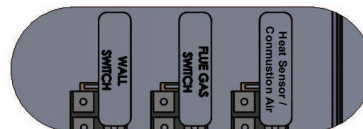
1. **STOP!** Read the safety information above on this label.
2. Turn the fireplace "OFF" using the wall switch or remote control.
3. Wait 5 minutes to clear out any gas. If you smell gas, **STOP!** Follow "B" in the safety information above on this label. If you don't smell gas, go to the next step.
4. Turn the fireplace "ON" using the wall switch or remote control.

NOTE: This unit is equipped with an ignition system that lights the pilot burner automatically. Do not attempt to light the pilot by hand.

This unit is equipped with advanced safety controls including pre and post purge timers. The fireplace will not turn on until all of the safety conditions are met. The fans in the fireplace may operate for an extended period of time even after the wall switch is turned off.

5. The wall switch LED and heat sensor/combustion air LED will light up.
6. Once the predetermined airflow is established in the firebox, the flue gas switch LED will light up after 30 seconds.
7. After approximately 1 minute the hot surface igniter will start to glow. The pilot will light up, followed by the main burner. The fireplace will then start up.

NOTE: If the igniter does not glow, even after 3 minutes have passed, follow the instructions "To Turn Off Gas To Appliance" and call your service technician or Montigo dealer.



Control box LED lights

TO TURN OFF GAS TO APPLIANCE:

1. Turn the fireplace off using the wall switch or remote control.
2. Turn off all electrical power to the appliance.
3. Locate the gas shut off valve for the appliance and turn off.

PIN LB1174-112614



Maintenance

Section 11: Cleaning and Maintenance

See *Lighting Instructions* section.

General

- **Have the fireplace and installation inspected yearly.** The inspection must include, but is not limited to, the following:
 - A visual check of the entire vent system and termination.
 - An inspection of the door gaskets to ensure a proper seal.
 - An inspection of the burner, vent run, and primary air openings.
 - An inspection of the gas valve, gas components, and pilot flame. For your convenience a 1/8" manifold pressure tap is supplied on the gas valve for a test gauge connection.
 - Inspection of all optional equipment; fans, etc.
- For **Natural Gas** this appliance requires a minimum inlet pressure of 5.5" W.C. and a manifold pressure of 3.5" W.C.
- For **Propane Gas** this appliance requires a minimum inlet pressure of 11" W.C. and a manifold pressure of 10" W.C.
- Always keep the fireplace area clear and free of combustible materials, as well as gasoline and other flammable vapors and liquids.
- Do not use this appliance if any part has been under water. Immediately call a qualified service technician to inspect the appliance and to replace any part of the control system and any gas control which has been under water.

NOTICE

Do not use ammonia based or abrasive cleaners on the glass, they will permanently etch the surface. Use an approved gas fireplace glass cleaner such as Kel-Kem or White off.

Annual inspection list for determining safe operation of a direct vent decorative gas appliance

- 1) Inspect and operate the pressure relief mechanism to verify relief mechanisms are free from obstruction to operate.
- 2) Clean glass window with a suitable fireplace glass cleaner. Abrasive cleaners must not be used. Be careful not to scratch the glass when cleaning.
- 3) Inspect the operation of the flame safety system Pilot or Flame rectification device.
- 4) Inspect and ensure the lighting of the main burner occurs within 4 seconds of the main gas valve opening. Visual inspection should match that outlined in the appliance instruction manual. Inspect primary air openings for blockage.
- 5) Inspect condition of vent and vent terminal for sooting or obstruction and correct if present.
- 6) Vacuum and clean any debris in the firebox that is not supposed to be there.
- 7) Test and measure the flame failure response time of the flame safety system. It must de-energize the safety shutoff in no more than 30 seconds.
- 8) Check all accessible gas-carrying tubes, connections, pipes and other components for leaks.

Cleaning

When the fireplace is first activated, there may be some smoking and a visible film may be left on the glass. This is a normal condition, and is the result of burning of protective coatings on new metal.

- Glass must be cleaned periodically to remove any film (which is a normal by-product of combustion) which may be visible. Film can easily be removed by removing the door, as shown on Page 22. Handle the door carefully, and clean it with non-abrasive, non-ammonia based glass cleaners. One of the most effective products is Kel-Kem.
- Silicone seals on inner door during initial firing will "off gas", leaving a visual deposit of a white substance on combustion chamber walls. This can easily be removed using normal household products.
- Use a vacuum cleaner or whisk broom to keep the control compartment, burner, and firebox free from dust and lint.

Gas Control Valve

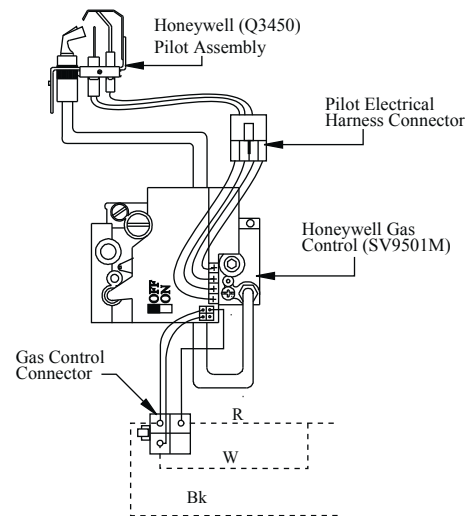


Figure 1 Sec. 11 Gas valve.

Maintenance



Replacement Parts

Honeywell HSI		
	R520-ST	R620-ST
NG Gas Valve	RGC1004	
Propane Gas Valve	RGC1003	
NG Pilot Assembly	RPA046	
Propane Pilot Assembly	RPA047	
Power Vent Control Box	RESCB2	
Outer Glass	RGL1065	RGL1066
Replacement Screen	RSCR520	RSCR620
Fuse, AGC-5Amp	REC1122	

Appendix

Appendix A: Power Vent Locations

PVVEX510-300 Vertical Power Vent Detail

For installation instructions on this termination see instruction guide for the PVVEX510-300.

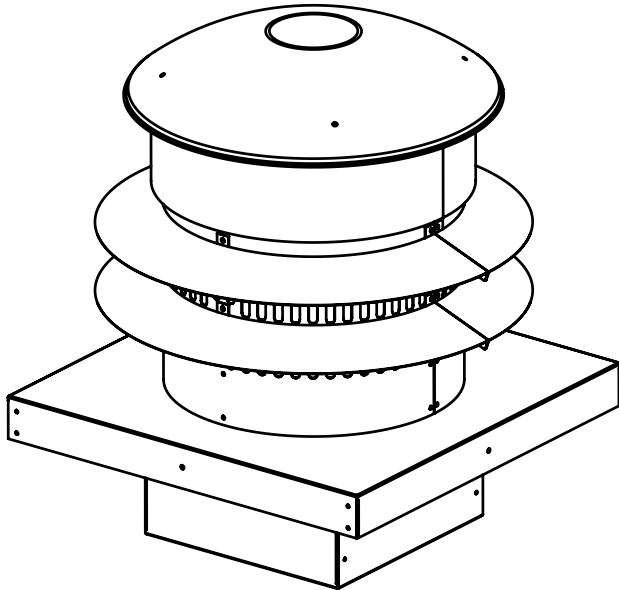


Figure 1 Appendix PVVEX510-300

Not Acceptable

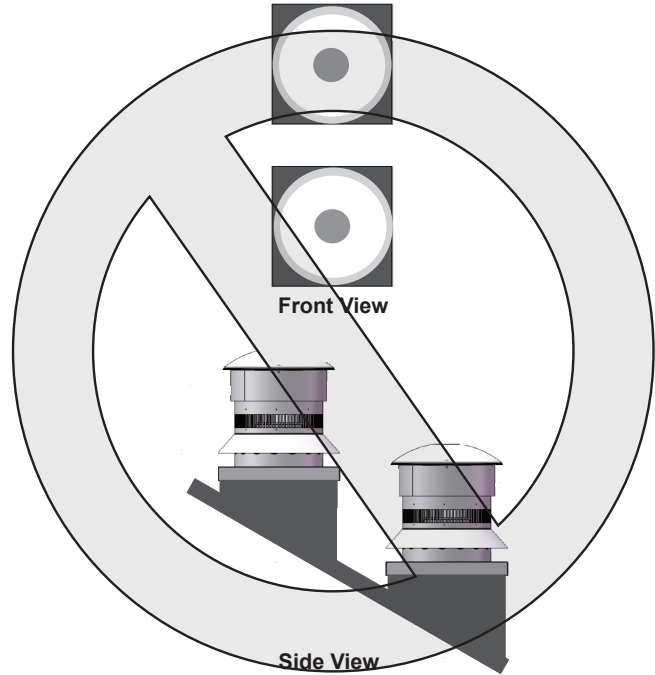


Figure 3 Appendix PVVEX510-300 restrictions

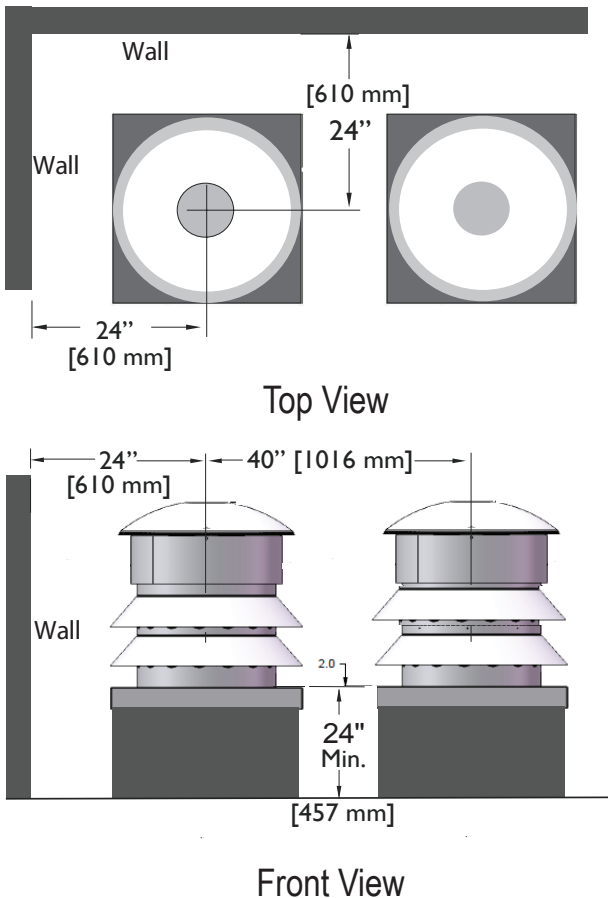
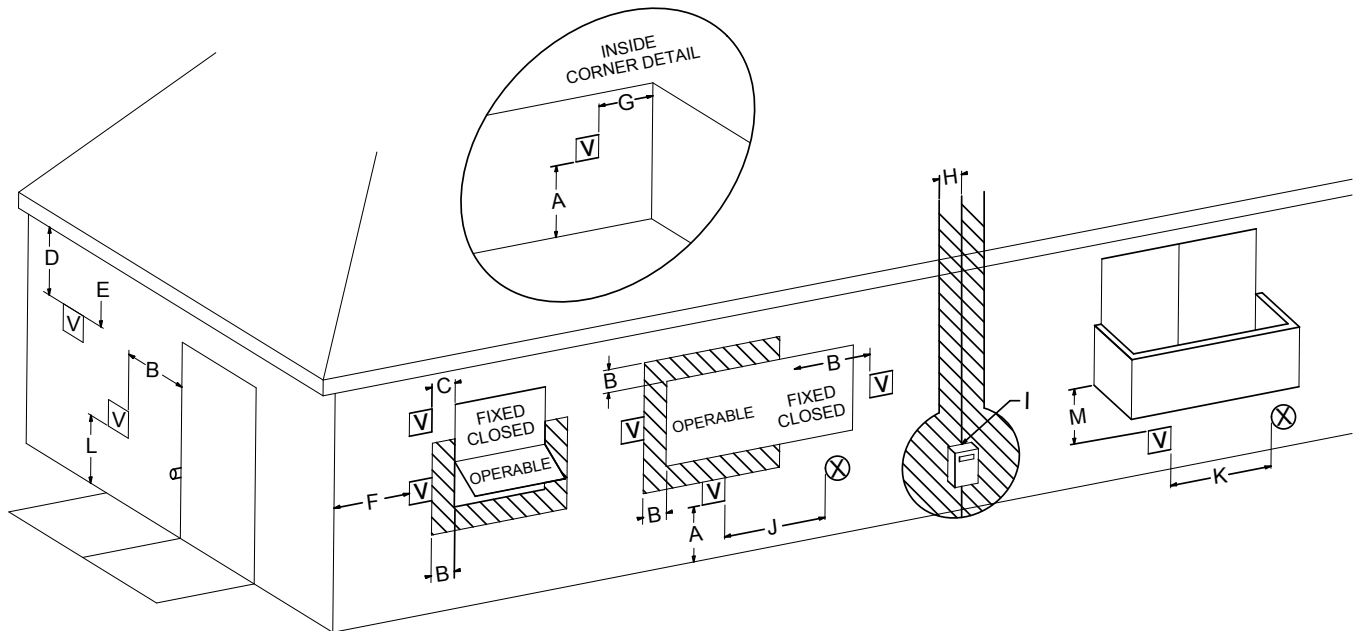


Figure 2 Appendix PVVEX510-300 clearances

Appendix

PVVEX510-300 Power Vent Locations



VENTER TERMINAL

AIR SUPPLY INLET

AREA WHERE TERMINAL IS NOT PERMITTED

	Canadian Installations ¹	US Installations ²
A= Clearance above grade, veranda, porch, deck, or balcony	12 in (30 cm)	12 in (30 cm)
B= Clearance to window or door that may be opened	6 in (15 cm) for appliances ≤ 10,000 Btuh (3 kW), 12 in (30 cm) for appliances > 10,000 Btuh (3 kW) and ≤ 100,000 Btuh (30 kW), 36 in (91 cm) for appliances > 100,000 Btuh (30 kW)	6 in (15 cm) for appliances ≤ 10,000 Btuh (3 kW), 9 in (23 cm) for appliances > 10,000 Btuh (3 kW) and < 50,000 Btuh (15 kW), 12 in (30 cm) for appliances ≥ 50,000 Btuh (15 kW)
C= Clearance to permanently closed window	B	B
D= Vertical clearance to ventilated soffit located above the terminal within a horizontal distance of 2 feet (61 cm) from the center line of the terminal	N/A	N/A
E= Clearance to unventilated soffit	*	*
F= Clearance to outside corner	*	*
G= Clearance to inside corner	*	*
H= Clearance to each side of center line extended above meter/regulator assembly	3 ft (91 cm) within a height 15 ft. (4.5 m) above the meter/regulator assembly	*
I= Clearance to service regulator vent outlet	3 ft (91 cm)	*

	Canadian Installations ¹	US Installations ²
J= Clearance to nonmechanical air supply inlet to building or the combustion air inlet to any other appliance	6in (15 cm) for appliances ≤ 10,000 Btuh (3 kW), 12 in (30 cm) for appliances > 10,000 Btuh (3 kW) and ≤ 100,000 Btuh (30 kW), 36 in (91 cm) for appliances > 100,000 Btuh (30 kW)	6in (15 cm) for appliances ≤ 10,000 Btuh (3 kW), 9 in (23 cm) for appliances > 10,000 Btuh (3 kW) and ≤ 50,000 Btuh (15 kW), 12 in (30 cm) for appliances > 50,000 Btuh (15 kW)
K= Clearance to a mechanical air supply inlet	6 ft (1.83 m)	3 ft (91 cm) above if within 10 ft (3 m) horizontally
L= Clearance above paved sidewalk or paved driveway located on public property	7 ft (2.13 m) †	*
M= Clearance under veranda porch deck, or balcony	12 in (30 cm) ‡	*

¹ In accordance with the current CSA B149.1, Natural Gas and Propane Installation Code

² In accordance with the current ANSI Z223.1/NFPA 54, National Fuel Gas Code

† A vent shall not terminate directly above a sidewalk or paved driveway that is located between two single family dwellings and serves both dwellings.

‡ Permitted only if veranda, porch, deck, or balcony is fully open on a minimum of two sides beneath the floor.

* For clearances not specified in ANSI Z223.1/NFPA or CSA B149.1, one of the following shall be indicated

a) A minimum clearance value determined by testing in accordance with section 2.23.5, or;

b) A reference to the following footnote:

"Clearance in accordance with local installation codes and the requirements of the gas supplier"

Figure 4 Appendix PVVEX510-300 Power Vent Locations

Appendix

PVHEX510-300 Horizontal Power Vent Detail

For installation instructions on this termination see instruction guide for the PVHEX510-300.

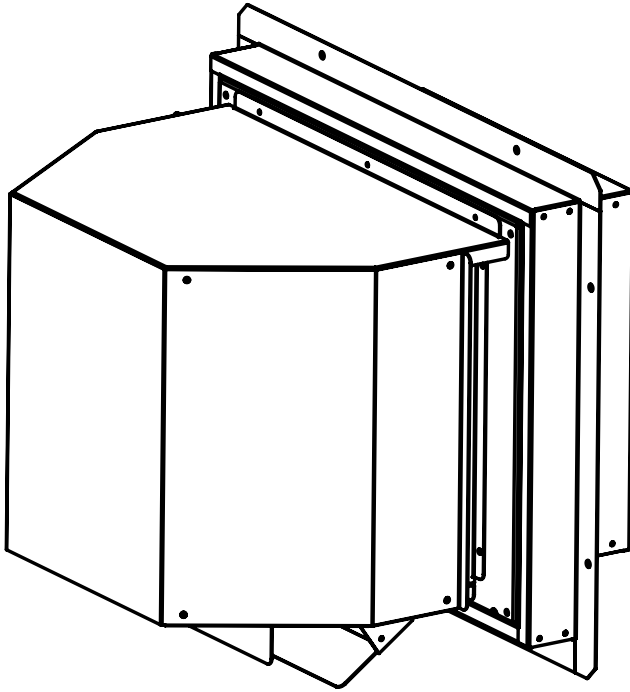
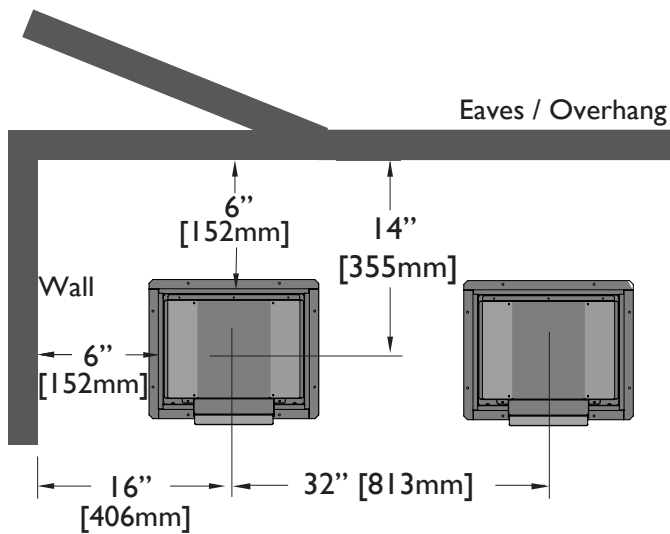


Figure 5 Appendix PVHEX510-300



Side View

Figure 6 Appendix PVHEX510-300 Termination Clearances

Appendix

PVHEX510-300 Power Vent Locations

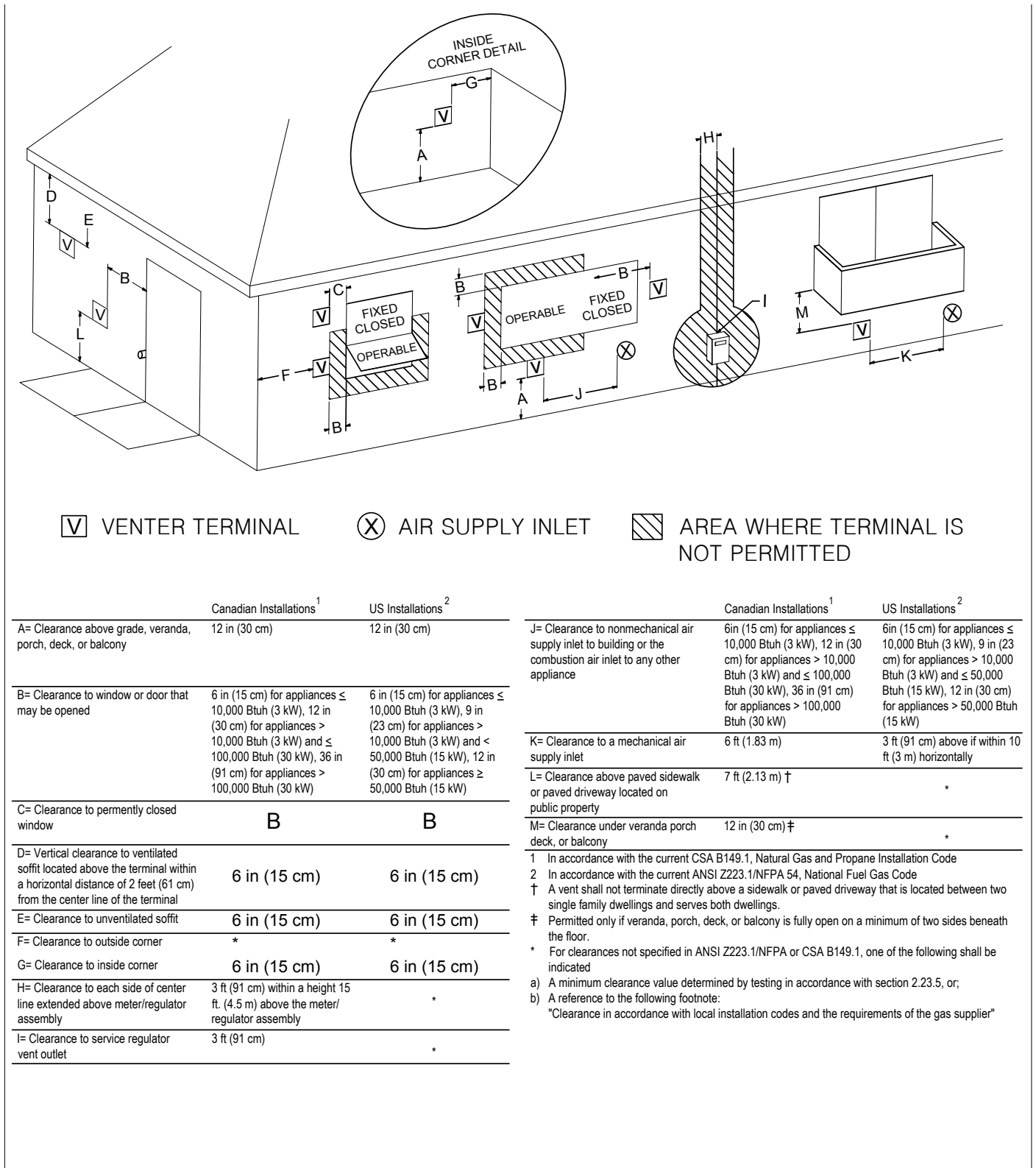


Figure 7 Appendix PVHEX510-300 Power Vent Locations

Appendix

PVHFL510-300 Horizontal Power Vent Detail

For installation instructions on this termination see instruction guide for the PVHFL510-300.

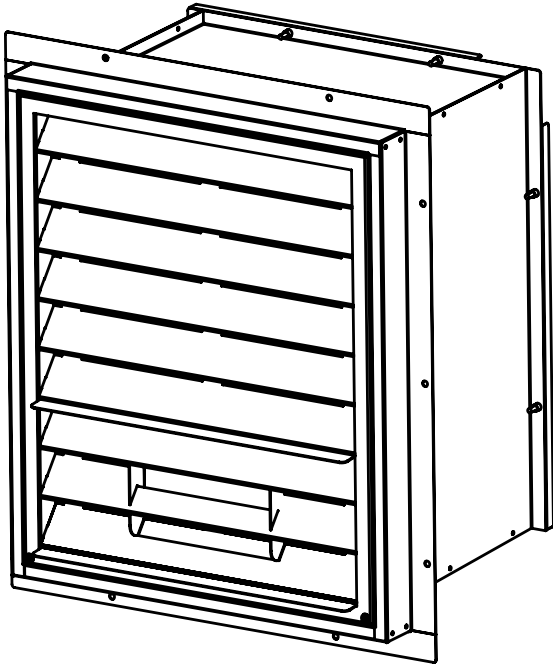


Figure 8 Appendix PVHFL510-300

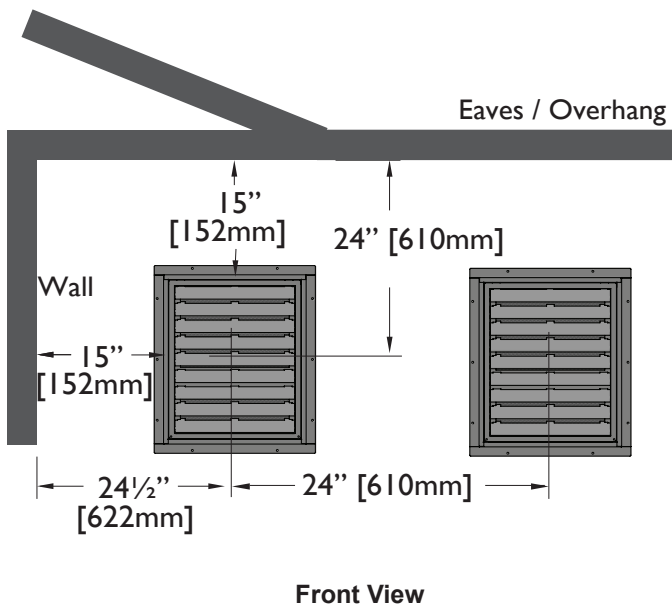
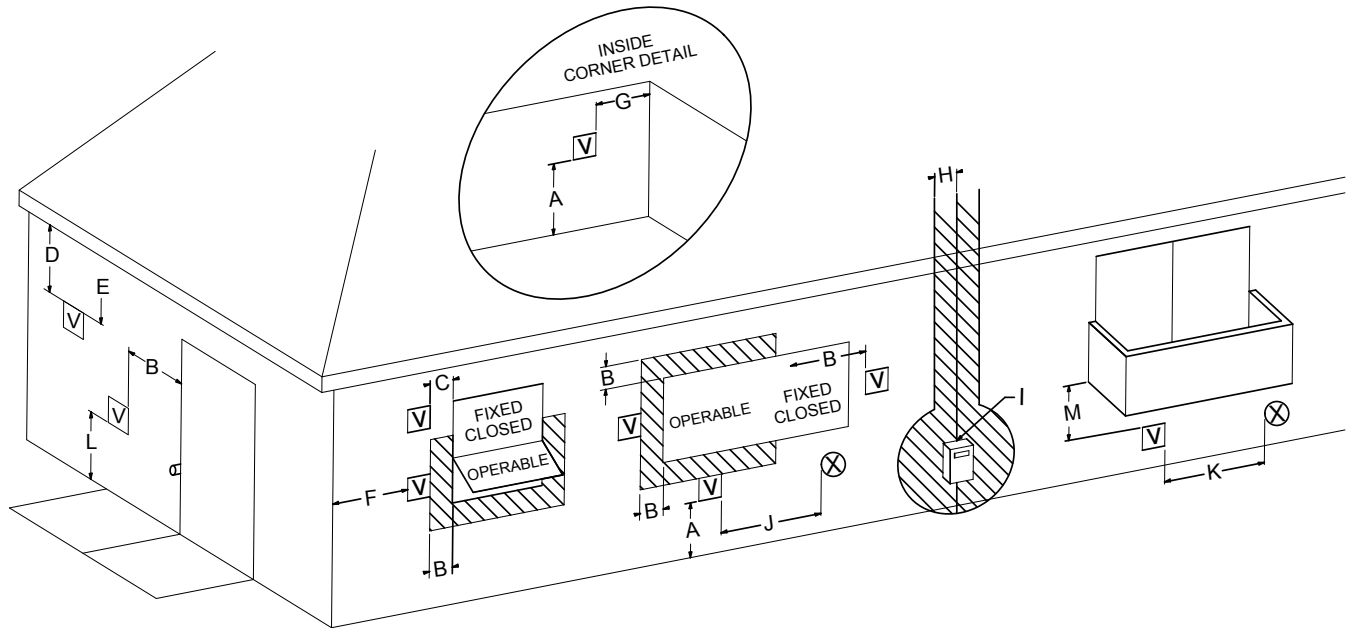


Figure 9 Appendix PVHFL510-300 Termination Clearances

Appendix

PVHFL510-300 Power Vent Locations



☐ V VENTER TERMINAL

⊗ AIR SUPPLY INLET

▨ AREA WHERE TERMINAL IS NOT PERMITTED

	Canadian Installations ¹	US Installations ²
A= Clearance above grade, veranda, porch, deck, or balcony	12 in (30 cm)	12 in (30 cm)
B= Clearance to window or door that may be opened	6 in (15 cm) for appliances ≤ 10,000 Btuh (3 kW), 12 in (30 cm) for appliances > 10,000 Btuh (3 kW) and ≤ 100,000 Btuh (30 kW), 36 in (91 cm) for appliances > 100,000 Btuh (30 kW)	6 in (15 cm) for appliances ≤ 10,000 Btuh (3 kW), 9 in (23 cm) for appliances > 10,000 Btuh (3 kW) and < 50,000 Btuh (15 kW), 12 in (30 cm) for appliances ≥ 50,000 Btuh (15 kW)
C= Clearance to permanently closed window	B	B
D= Vertical clearance to ventilated soffit located above the terminal within a horizontal distance of 2 feet (61 cm) from the center line of the terminal	15 in (38 cm)	15 in (38 cm)
E= Clearance to unventilated soffit	15 in (38 cm)	15 in (38 cm)
F= Clearance to outside corner	*	*
G= Clearance to inside corner	15 in (38 cm)	15 in (38cm)
H= Clearance to each side of center line extended above meter/regulator assembly	3 ft (91 cm) within a height 15 ft. (4.5 m) above the meter/regulator assembly	*
I= Clearance to service regulator vent outlet	3 ft (91 cm)	*

	Canadian Installations ¹	US Installations ²
J= Clearance to nonmechanical air supply inlet to building or the combustion air inlet to any other appliance	6 in (15 cm) for appliances ≤ 10,000 Btuh (3 kW), 12 in (30 cm) for appliances > 10,000 Btuh (3 kW) and ≤ 100,000 Btuh (30 kW), 36 in (91 cm) for appliances > 100,000 Btuh (30 kW)	6 in (15 cm) for appliances ≤ 10,000 Btuh (3 kW), 9 in (23 cm) for appliances > 10,000 Btuh (3 kW) and ≤ 50,000 Btuh (15 kW), 12 in (30 cm) for appliances > 50,000 Btuh (15 kW)
K= Clearance to a mechanical air supply inlet	6 ft (1.83 m)	3 ft (91 cm) above if within 10 ft (3 m) horizontally
L= Clearance above paved sidewalk or paved driveway located on public property	7 ft (2.13 m) †	*
M= Clearance under veranda porch deck, or balcony	12 in (30 cm) ‡	*

- 1 In accordance with the current CSA B149.1, Natural Gas and Propane Installation Code
 2 In accordance with the current ANSI Z223.1/NFPA 54, National Fuel Gas Code
 † A vent shall not terminate directly above a sidewalk or paved driveway that is located between two single family dwellings and serves both dwellings.
 ‡ Permitted only if veranda, porch, deck, or balcony is fully open on a minimum of two sides beneath the floor.
 * For clearances not specified in ANSI Z223.1/NFPA or CSA B149.1, one of the following shall be indicated
 a) A minimum clearance value determined by testing in accordance with section 2.23.5, or;
 b) A reference to the following footnote:
 "Clearance in accordance with local installation codes and the requirements of the gas supplier"

Figure 10 Appendix PVHFL510-300 Power Vent Locations

Appendix

Appendix B: Warranty

The Warranty

The Companies warrants the Montigo Gas Appliance to be free from defects in materials and workmanship at the time of manufacture. On the Montigo fireplace, there is a ten-year warranty on the firebox and its components, a five-year warranty on the main burner and pilot burner, and a one-year warranty on the gas control valve, fibre logs and Power Vent Module. The Glass, plated / painted finishes, and refractory lining are exempt from the warranty.

Remedy And Exclusions

The coverage of this Warranty is limited to all components of the Gas Appliance manufactured by The Companies.

This Warranty only covers Montigo Gas Appliances installed in the United States or Canada.

If the components of the Gas Appliance covered by this Warranty are found to be defective within the time frame stated (see The Companies right of investigation outlined below). The Companies will, at its option, replace or repair defective components of the Gas Appliance manufactured by The Companies at no charge, and will also pay for reasonable labour costs incurred in replacing or repairing components. If repair or replacement is not commercially practical, The Companies will, at its option, refund the purchase price of the Montigo Gas Appliance.

This Warranty covers only parts and labour as provided above. In no case shall The Companies be responsible for materials, components, or construction which are not manufactured or supplied by The Companies, or for the labour necessary to install, repair or remove such materials, components or construction. All replacement or repair components will be shipped F.O.B. the nearest The Companies factory.

Qualifications To The Warranty

The Gas Appliance Warranty outlined above is further subject to the following qualifications:

- (1) The Gas Appliance must be installed in accordance with The Companies installation instructions and local building codes. The Warranty on this Montigo Gas Appliance covers only the component parts manufactured by The Companies. The use of components manufactured by others with this Montigo Gas Appliance could create serious safety hazards, may result in the denial of certification by recognized national safety agencies, and could be in violation of local building codes. This warranty does not cover any damages occurring from the use of any components not manufactured or supplied by The Companies
- (2) The Montigo Gas Appliance must be subjected to normal use. The Gas Appliances are designed to burn gas only. Burning conventional fireplace fuels such as wood, coal or any other solid fuel will cause damage to the Gas Appliance, will produce excessive temperatures and will result in a fire hazard.

Limitations On Liability

It is expressly agreed and understood that The Companies sole obligation, and purchaser's exclusive remedy under this Warranty, under any other warranty, expressed or implied, or in contract, tort or otherwise, shall be limited to replacement, repair, or refund, as specified above.

In no event shall The Companies be responsible for any incidental or consequential damages caused by defects in its products, whether such damage occurs or is discovered before or after replacement or repair, and whether or not such damage is caused by The Companies negligence. Some states do not allow the exclusion or limitation of incidental or consequential damages, so the above limitation or exclusion may not apply to you. The duration of any implied warranty with respect to this Montigo Gas Appliance is limited to the duration of the foregoing warranty. Some states do not allow limitation on how long an implied warranty lasts, so the above may not apply to you.

Investigation Of Claims Against Warranty

The Companies reserves the right to investigate any and all claims against this Warranty and to decide upon method of settlement.

The Companies Are Not Responsible For Work Done Without Written Consent

The Companies shall in no event be responsible for any warranty work done without first obtaining The Companies written consent.

Dealers Have No Authority To Alter This Warranty

The Companies employees and dealers have no authority to make any warranties nor to authorize any remedies in addition to or inconsistent with those stated above.

How To Register A Claim Against Warranty

In order for any claim under this Warranty to be valid, The Companies must be notified of the claimed defect in writing or by telephone, as soon as reasonably possible after the defect is discovered. Claims against this Warranty in writing should include the date of installation, and a description of the defect.

Other Rights

This Warranty gives you specific legal rights, and you may also have other rights which vary from state to state.

NOTE: *The Companies* as stated above refer to - Canadian Heating Products Inc. and/or Montigo Del Ray Corp.

Canadian Heating Products Inc. and/or Montigo DelRay Corp. reserves the right to make changes at any time, without notice, in design, materials, specifications, prices and also to discontinue colors, styles and products.

Appendix

Appendix C: State of Massachusetts

Amendment

(Gas Fireplace / Equipment sold in the State of Massachusetts)

5.08: Modifications to NFPA-54, Chapter 10

(1) Revise NFPA-54 section 10.5.4.2 by adding a second exception as follows:

Existing chimneys shall be permitted to have their use continued when a gas conversion burner is installed, and shall be equipped with a manually reset device that will automatically shut off the gas to the burner in the event of a sustained back-draft.

(2) Revise 10.8.3 by adding the following additional requirements:

(a) For all side wall horizontally vented gas fueled equipment installed in every dwelling, building or structure used in whole or in part for residential purposes, including those owned or operated by the Commonwealth and where the side wall exhaust vent termination is less than seven (7) feet above finished grade in the area of the venting, including but not limited to decks and porches, the following requirements shall be satisfied:

1. INSTALLATION OF CARBON MONOXIDE DETECTORS. At the time of installation of the side wall horizontal vented gas fueled equipment, the installing plumber or gas fitter shall observe that a hard wired carbon monoxide detector with an alarm and battery back-up is installed on the floor level where the gas equipment is to be installed. In addition, the installing plumber or gas fitter shall observe that a battery operated or hard wired carbon monoxide detector with an alarm is installed on each additional level of the dwelling, building or structure served by the side wall horizontal vented gas fueled equipment. It shall be the responsibility of the property owner to secure the services of qualified licensed professionals for the installation of hard wired carbon monoxide detectors

a. In the event that the side wall horizontally vented gas fueled equipment is installed in a crawl space or an attic, the hard wired carbon monoxide detector with alarm and battery back-up may be installed on the next adjacent floor level.

b. In the event that the requirements of this subdivision can not be met at the time of completion of installation, the owner shall have a period of thirty (30) days to comply with the above requirements; provided, however, that during said thirty (30) day period, a battery operated carbon monoxide detector with an alarm shall be installed.

2. APPROVED CARBON MONOXIDE DETECTORS. Each carbon monoxide detector as required in accordance with the above provisions shall comply with NFPA 720 and be ANSI/UL 2034 listed and IAS certified.

3. SIGNAGE. A metal or plastic identification plate shall be permanently mounted to the exterior of the building at a minimum height of eight (8) feet above grade directly in line with the exhaust vent terminal for the horizontally vented gas fueled heating appliance or equipment. The sign shall read, in print size no less than one-half (1/2) inch in size, "GAS VENT DIRECTLY BELOW. KEEP CLEAR OF ALL OBSTRUCTIONS".

4. INSPECTION. The state or local gas inspector of the side wall horizontally vented gas fueled equipment shall not approve the installation unless, upon inspection, the inspector observes carbon monoxide detectors and signage installed in accordance with the provisions of 248 CMR 5.08(2)(a)1 through 4.

(b) EXEMPTIONS: The following equipment is exempt from 248 CMR 5.08(2)(a)1 through 4:

1. The equipment listed in Chapter 10 entitled "Equipment Not Required To Be Vented" in the most current edition of NFPA 54 as adopted by the Board; and

2. Product Approved side wall horizontally vented gas fueled equipment installed in a room or structure separate from the dwelling, building or structure used in whole or in part for residential purposes.

(c) **MANUFACTURER REQUIREMENTS - GAS EQUIPMENT VENTING SYSTEM PROVIDED.** When the manufacturer of Product Approved side wall horizontally vented gas equipment provides a venting system design or venting system components with the equipment, the instructions provided by the manufacturer for installation of the equipment and the venting system shall include:

1. Detailed instructions for the installation of the venting system design or the venting system components; and

2. A complete parts list for the venting system design or venting system.

(d) **MANUFACTURER REQUIREMENTS - GAS EQUIPMENT VENTING SYSTEM NOT PROVIDED.** When the manufacturer of a Product Approved side wall horizontally vented gas fueled equipment does not provide the parts for venting the flue gases, but identifies "special venting systems", the following requirements shall be satisfied by the manufacturer:

1. The referenced "special venting system" instructions shall be included with the appliance or equipment installation instructions; and

2. The "special venting systems" shall be Product Approved by the Board, and the instructions for that system shall include a parts list and detailed installation instructions.

(e) A copy of all installation instructions for all Product Approved side wall horizontally vented gas fueled equipment, all venting instructions, all parts lists for venting instructions, and/or all venting design instructions shall remain with the appliance or equipment at the completion of the installation.

(3) After NFPA-54 section 10.10.4.2 add a new section 10.10.4.3 as follows:

When more than four gas appliances are to be vented through a common gas vent or common horizontal vent manifold, a plan of the proposed vent installation shall be submitted to the Inspector and the serving gas supplier for review and approval.

Extraction from: Massachusetts Rules and Regulations

5.00: Amendments To 2002 Edition Of ANSI Z223.1-NFPA-54



R520ST - R620ST

See Through
Gas Fireplace

