

Prodigy



PCPR820

Platinum fireglass

(Comes with high-low burner)

beauty, creativity, and safety
operating in unison

MONTIGO[®]
the art of **fireplaces**



Beautiful. Bright. Alluring.

Our passion for beautiful, bold flames guided the development of the Prodigy. Refined elegance and modern design in a fireplace of unrivaled allure

Concealed Burner

The Prodigy adds tranquility and warmth to your home. The linear burner produces a relaxing ribbon-like flame. Your desired media can completely cover the bed of the firebox, enhancing the ambience even when the fireplace is not in use.

Frameless Design

Clean contemporary lines and frameless double glass design deliver breathtaking aesthetics. Finishing materials can be attached directly to the fireplace and brought down to the edge of the glass creating a stunning focal point without interruption.

Our Guarantee

Rest assured our uncompromising quality and long-term reliability is backed by our 10-year limited warranty.

PCPR820
Speckled stones and driftwood
(Comes with high-low burner)

Perfect for high end luxury homes or light commercial applications, the Prodigy adds tranquility and warmth to any space.



PC820
Speckled stones and driftwood
(Comes with high-low burner)

Specifications

- Body finish: Matte black
- Body style: Single sided, see through, corner, panorama
- Media options: Firestones, fireglass, firebeads, driftwood, speckled stones, black glass panels
- Venting: Roof, wall, inline power venting
- Flue location: Top
- Intake vent locations: Top both sides
- COOL-Pack glass temperature: as low as 115°F (46°C)
- Burners: ribbon†, high-low,
- Fuel: Natural gas or propane
- Rating: 30,000 to 120,000 BTU/HR
- Electrical supply: 208V, 1Ph, 15A, dedicated circuit
- Controls: On/Off wall switch, multifunction LED remote

† Ribbon burner only on 12" high glass units and 3' long units.

flame patterns



Ribbon



High-low

features

- COOL-Pack system allows for all glass barriers, no screen required
- Zero clearance
- Multi-color LED lighting
- Customizable media options
- Electronic ignition-no standing pilot
- Compatible with home automation systems
- Standard intake dampers



PC430
Speckled stones and driftwood
(Comes with high-low burner)



PCCR420
Opal firebeads
(Comes with high-low burner)

UNIT FLAME PATTERNS

	PC3	PC4	PC5	PC6	PC7	PC8
12"	R	R	R	R	R	R
20"	R	H-L	H-L	H-L	H-L	H-L
30"	R	H-L	H-L	H-L	H-L	H-L
36"	R	H-L	H-L	H-L	H-L	H-L
60"	R	H-L	H-L	H-L	H-L	H-L

R denotes ribbon burner
H-L denotes high-low burner

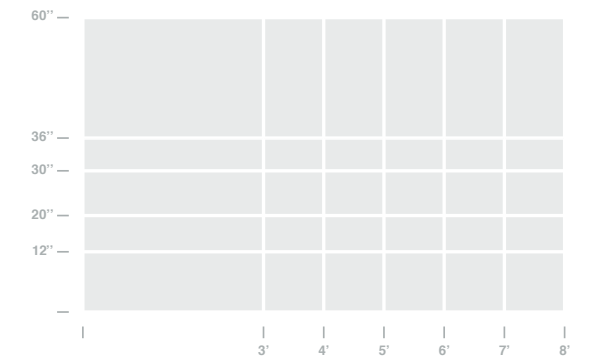


PCCL312
Opal firebeads
(Comes with ribbon burner)



PCCR720
Opal firebeads and driftwood
(Comes with high-low burner)

Available Dimensions



CSA Certification

With Montigo's on-site CSA accredited lab, every standard Montigo fireplace is manufactured, tested and certified to meet stringent CSA guidelines, ensuring optimum quality, performance, and safety.



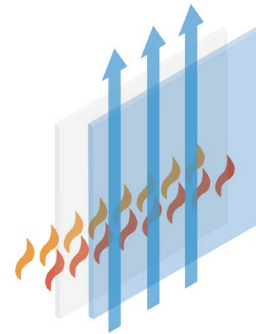
PC436
Platinum fireglass
(Comes with high-low burner)

COOL-Pack Technology

The glass temperatures on a gas fireplace typically range $\pm 500^{\circ}\text{F}$. Even momentary contact at these extreme temperatures would result in serious burns to the skin.

Montigo's patented COOL-Pack glass technology has been designed to significantly increase safety by maintaining glass temperatures as low as 115°F (46°C).

COOL-Pack technology makes it safe to touch the glass, reducing associated liability risks for the property owner.



Unlimited installation possibilities

Architects, designers, and homeowners alike, will appreciate the ability to feature fire in just about any location. With our proprietary power venting system and team of expert engineers, a Montigo Prodigy can be installed virtually anywhere .

Indoor-Outdoor

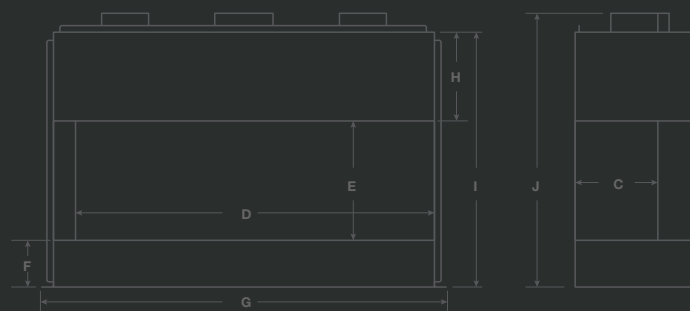
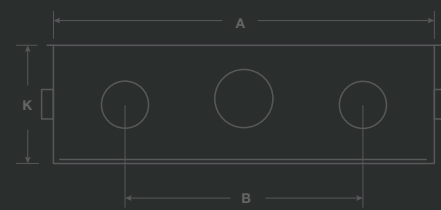
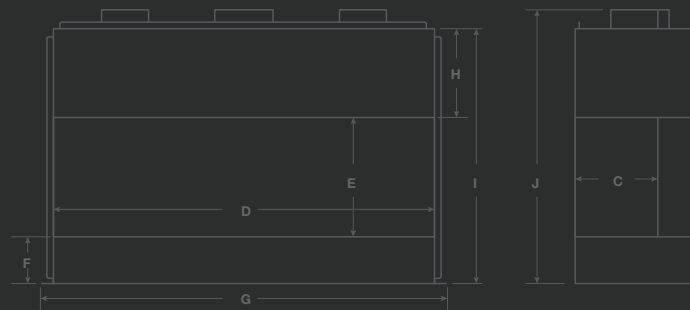
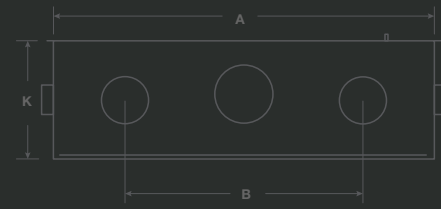
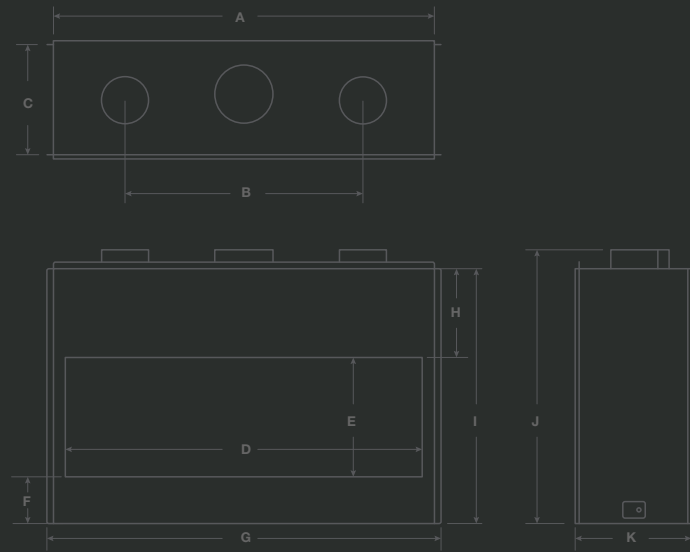
Bridge the ample beauty of the outdoors with the comfort of your indoor space. Any size see-through prodigy can be transformed into a fully sealed indoor-outdoor unit with the addition of the kit.



Prodigy Indoor-Outdoor Kit
Outside view

Prodigy Indoor-Outdoor Kit
Inside view

Prodigy Dimensions



SINGLE SIDED AND SEE-THROUGH DIMENSIONS

	3'	4'	5'	6'	7'	8'
AIR INTAKE	2 x 6"	2 x 8"		2 x 10"		
EXHAUST	8"	10"		12"		
A	40 1/4"	52 1/4"	64 1/4"	76 1/4"	88 1/4"	100 1/4"
B	24"	32"	40"	48"	56"	60"
C	18 5/8"					
D	35 1/2"	47 1/2"	59 1/2"	71 1/2"	83 1/2"	95 1/2"
E	12", 20", 30", 36", 60"					
F	8 1/8"					
G	42 1/4"	54 1/4"	66 1/4"	78 1/4"	90 1/4"	102 1/4"
H	15 1/8"					
I	23 1/4"+ Glass Height					
J	26 3/16"+ Glass Height					
K	19 7/8"					

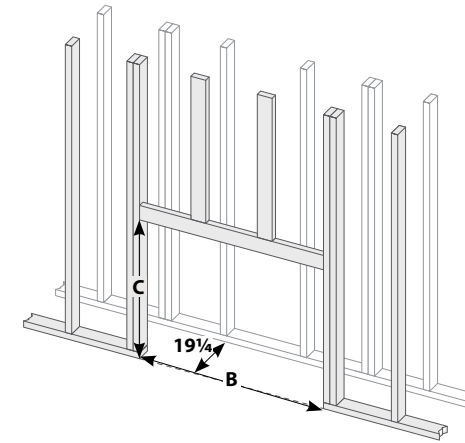
PANORAMA DIMENSIONS

	3'	4'	5'	6'	7'	8'
AIR INTAKE	2 x 6"	2 x 8"		2 x 10"		
EXHAUST	8"	10"		12"		
A	43 15/16"	55 15/16"	67 15/16"	79 15/16"	91 15/16"	103 15/16"
B	24"	32"	40"	48"	56"	60"
C	13 3/8"					
D	43 5/8"	55 5/8"	67 5/8"	79 5/8"	91 5/8"	103 5/8"
E	12", 20", 30", 36", 60"					
F	8 1/8"					
G	47 7/8"	59 7/8"	71 15/16"	83 15/16"	95 15/16"	107 15/16"
H	15 1/8"					
I	23 1/4"+ Glass Height					
J	26 3/16"+ Glass Height					
K	19 7/8"					

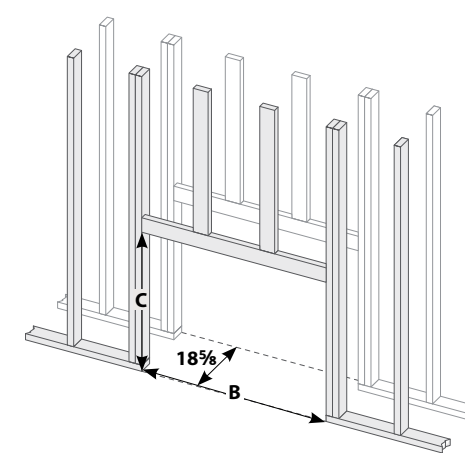
CORNER DIMENSIONS

	3'	4'	5'	6'	7'	8'
AIR INTAKE	2 x 6"	2 x 8"		2 x 10"		
EXHAUST	8"	10"		12"		
A	43 15/16"	55 15/16"	67 15/16"	79 15/16"	91 15/16"	103 15/16"
B	24"	32"	40"	48"	56"	60"
C	13 3/8"					
D	39 3/4"	51 3/4"	63 1/4"	75 1/4"	87 1/4"	99 3/8"
E	12", 20", 30", 36", 60"					
F	8 1/8"					
G	47 7/8"	59 7/8"	71 15/16"	83 15/16"	95 15/16"	107 15/16"
H	15 1/8"					
I	23 1/4"+ Glass Height					
J	26 3/16"+ Glass Height					
K	19 7/8"					

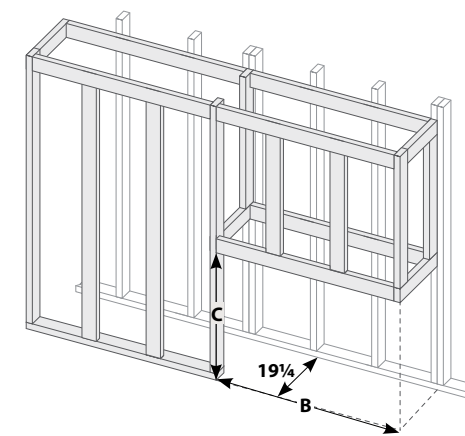
Single Sided Rough-in Dimensions



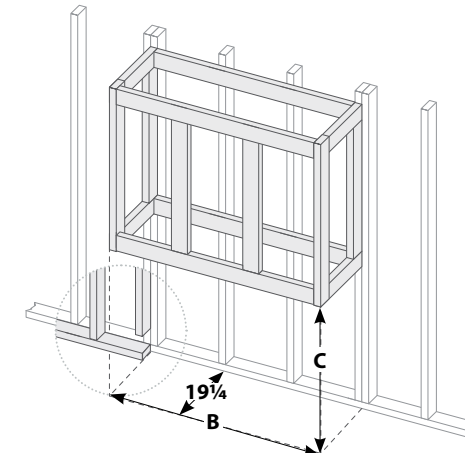
See-through Rough-in Dimensions



Corner Rough-in Dimensions



Panorama Rough-in Dimensions



Framing Dimensions

SINGLE SIDED AND SEE-THROUGH FRAMING

	3'	4'	5'	6'	7'	8'
B	42 1/4"	54 1/4"	66 1/4"	78 1/4"	90 1/4"	102 1/4"
C	26 3/16"+ Glass Height					

CORNER AND PANORAMA FRAMING

	3'	4'	5'	6'	7'	8'
B	42 1/4"	54 1/4"	66 1/4"	78 1/4"	90 1/4"	102 1/4"
C	26 3/16"+ Glass Height					



PCPR430
Ice fireglass
(Comes with high-low burner)

Prodigy Specifications

PRODIGY SPECIFICATIONS

	PC3**	PC4**	PC5**	PC6**	PC7**	PC8**
MAXIMUM INPUT NATURAL GAS (BTU/ HR)	40,000	50,000	75,000	88,000	100,000	112,000
MAX INPUT PROPANE (BTU/HR)	31,000	52,000	64,000	78,000	105,000	120,000
REQUIRED B-VENT	8"	10"	10"	10"	10"	12"
SIZE OF INTAKES	2 x 6"	2 x 8"	2 x 8"	2 x 8"	2 x 8"	2 x 10"
TOTAL EQUIVALENT FREE AREA OF INTAKE	56.52 sq.inches	100.48 sq.inches	100.48 sq.inches	100.48 sq.inches	100.48 sq.inches	157 sq. inches
ELECTRICAL REQUIREMENTS	208 VAC Single Phase 15 Amp	208 VAC Single Phase 15 Amp	208 VAC Single Phase 15 Amp	208 VAC Single Phase 15 Amp	208 VAC Single Phase 15 Amp	208 VAC Single Phase 15 Amp
CONTROL PANEL MODEL NUMBER	PCGCP1-2-05-DD	PCGCP1-2-05-DD	PCGCP1-2-05-DD	PCGCP1-2-05-DD	PCGCP1-2-05-DD	PCGCP1-2-05-DD
POWERVENT ROOF	PCSBFPV-R03-08	PCSBFPV-R03-10	PCSBFPV-R03-10	PCSBFPV-R03-10	PCSBFPV-R03-10	PCSBFPV-R03-12
POWERVENT WALL	PCSBFPV-W03-08	PCSBFPV-W03-10	PCSBFPV-W03-10	PCSBFPV-W03-10	PCSBFPV-W03-10	PCSBFPV-W03-12
POWERVENT INLINE	PCINGPV-L03-08	PCINGPV-L03-10	PCINGPV-L03-10	PCINGPV-L03-10	PCINGPV-L03-10	PCINGPV-L03-12

Prodigy Burner Media

Fireglass Firestones

- COPPER HW1143
- AMBER HW1261
- GLACIER HW1219B
- ALABASTER HW1260
- ONYX HW1259
- PLATINUM HW1144
- ICE HW1157
- OBSIDIAN HW1113

Firebeads

- IVORY HW1111
- SAGE HW1082
- FROST HW1112
- COASTAL HW1262
- QUARTZ HW1106
- EBONY HW1091

Blends



DRIFTWOOD LOGSET (WITH SPECKLED STONES)



REFLECTIVE GLASS PANELS



SPECKLED STONES



LED UPLIGHTING (INCLUDED)

for more inspiration go to
www.montigo.com

ARCAT