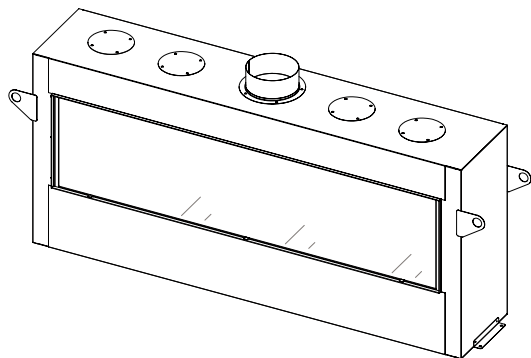


Installation & Maintenance Manual



MONTIGO
the art of **fireplaces**

Distinction INDOOR GAS FIREPLACE

D3615, D3615ST
Natural Gas or Propane Gas

D4815, D4815ST
Natural Gas or Propane Gas

D7215, D7215ST
Natural Gas or Propane Gas



- The installation of this fireplace must be done by a qualified and certified gas appliance installer.
- Check local codes and read all instructions prior to installation.

WARNING:
FIRE OR EXPLOSION HAZARD
Failure to follow safety warnings exactly could result in serious injury, death, or property damage.

- Do not store or use gasoline or other flammable vapors and liquids in the vicinity of this or any other appliance.
- WHAT TO DO IF YOU SMELL GAS
 - Do not try to light any appliance.
 - Do not touch any electrical switch; do not use any phone in your building.
 - Leave the building immediately.
 - Immediately call your gas supplier from a neighbour's phone. Follow the gas supplier's instructions.
 - If you cannot reach your gas supplier, call the fire department.
- Installation and service must be performed by a qualified installer, service agency or the gas fitter.

! DANGER

HOT GLASS WILL CAUSE BURNS.
DO NOT TOUCH GLASS UNTIL COOLED.
NEVER ALLOW CHILDREN TO TOUCH GLASS.

A barrier designed to reduce the risk of burns from the hot viewing glass is provided with this appliance and shall be installed for the protection of children and other at-risk individuals.

NOTICE

Installer: Leave this manual with the appliance.
Consumer: Retain this manual for future reference.

! CAUTION

Installation and service must be performed by a qualified installer, service agency or the gas fitter.

! CAUTION

Label all wires prior to disconnection when servicing controls. Wiring errors can cause improper and dangerous operation. Verify proper operation after servicing.

! WARNING

Some materials used in the manufacturing process of this product can expose you to Benzene which is known in the State of California to cause cancer and birth defects or other reproductive harm. For more information go to www.P65warnings.ca.gov

Safety Alert Key

DANGER

Indicates a hazardous situation which, if not avoided, WILL result in death or serious injury or property damage.

WARNING

Indicates a hazardous situation which, if not avoided, COULD result in death or serious injury or property damage.

CAUTION

Indicates a hazardous situation which, if not avoided, WILL result in minor or moderate injury.

NOTICE

Indicates practices that are important, but not related to personal injury.

Linear Burner	
SIT Electronic Ignition	
X	X
X	X

Introduction

Congratulations on your purchase of a Montigo Fireplace.

With over 30 years of experience, Montigo is committed to providing you with a gas fireplace that is not only a beautiful addition to your home, but that is also designed and manufactured to the highest safety, reliability and engineering standards.

We strongly encourage you to read and carefully follow the instructions laid out in this Installation, Operation and Maintenance Manual and retain it for your future reference. Pay special attention to all cautions, warnings, and notices throughout this manual intended to ensure your safety.

This manual covers installation, operation and maintenance. Lighting, operation and care of this fireplace can be easily performed by the homeowner. All installation and service work should be performed by a qualified or licensed installer, plumber or gas fitter as certified by the state, province, region or governing body where the fireplace is being installed.

This installation, operation and maintenance manual is applicable to the models described in Table 1. Refer to your rating plate to verify included options.

Warranty and Installation Information: (See Appendix B)

The Montigo warranty will be voided by, and Montigo disclaims any responsibility for, the following actions:

- Modification of the fireplace and/or components including Direct-Vent assembly or glass doors.
- Use of any component part not manufactured or approved by Montigo in combination with this Montigo fireplace system.
- Installation other than as instructed in this manual.
- Consult your local Gas Inspection Branch on installation requirements for factory-built gas fireplaces. Installation & repairs should be done by a qualified contractor.

CAUTION

Young children should be carefully supervised when they are in the same room as the appliance. Toddlers, young children, and others may be susceptible to accidental contact burns. A physical barrier is recommended if there are at-risk individuals in the house. To restrict access to a fireplace or stove, install an adjustable safety gate to keep toddlers, young children, and other at-risk individuals out of the room and away from hot surfaces

Contents

Safety Alert Key	2		
Introduction	2		
Section A: Before You Begin	4		
Installation Checklist	4		
Standard Installation Checklist.....	5		
Rating Plate Sample	6		
Section 1: Product Dimensions	7		
Section 2: Framing	9		
Combustible Wall Clearances	9		
Assemble Non Combustible Framing	9		
Framing the Single Sided Fireplace (Floor Installation).....	10		
Framing the See-Through Fireplace (Floor Installation)	10		
Chase venting.....	11		
TV recess framing.....	11		
Framing with Cool Wall Advantage	12		
Section 3: Venting	13		
Restrictor plate Installation	13		
Section 3-3-1: Venting Layouts	14		
Vertical Termination.....	14		
Vertical Termination - 2 Elbows	14		
Vertical Termination - 3 Elbows	15		
Horizontal Termination - 1 Elbow.....	15		
Horizontal Termination - 2 Elbows.....	16		
Horizontal Termination - 3 Elbows.....	16		
Section 3-2: Installing a Roof Mounted Direct Vent Termination (PVTK1SS)	17		
Section 3-2-1: Venting Layout	17		
Section 3-3: Installing a Wall Mounted Direct Vent Termination	18		
Section 3-3-2: Venting Components.....	19		
Section 3-3-2.2: Simpson Duravent Venting Components	20		
Section 3-3-2.3: ICC Venting Components*.....	21		
Section 3-3-2.4: Metalfab Venting Components*.....	21		
Section 3-5: Heat Shields	22		
Propane Conversion	24		
Section 4: Wiring	26		
D7215 (N/L) I-2 Wiring Diagram.....	26		
Installation of Electrical Supply.....	26		
CPI [Continuous Pilot Ignition] / IPI [Intermittent Pilot Ignition] Jumper Cable Installation	27		
“Why use CPI mode?”	27		
The difference between IPI and CPI:.....	27		
Installing the CPI Jumper Cable	27		
Section 5: Installing the gas line	28		
Fuel Type	28		
Gas Pressure.....	28		
Gas Connection.....	28		
Mantels & Surrounds.....	29		
Finishing Around the Fireplace.....	29		
		Sidewall clearances	29
		Section 8: Removing & Installing the Screen / Door	30
		Removing the Screen	30
		Reinstalling the Screen	30
		Removing the door.....	30
		Reinstalling the door.....	30
		Section 9: Installing the Media	31
		Firestone & Fireglass Quantity.....	31
		Optional speckled stones	31
		Optional Driftwood Logset.....	31
		D7215 Log Kit Installation.....	31
		D7215 Single Sided Driftwood Kit Base.....	32
		D7215 Single Sided Driftwood Kit Top.....	32
		D7215 See-Through Driftwood Kit	33
		Distinction (N/L) I-2 Wiring Diagram	34
		LED Strip Instructions	36
		Before you begin	37
		Installation.....	37
		Before you begin	39
		Section 7: Finishing the fireplace	41
		Cement Board Install	41
		Remote Operation	42
		Initializing the System for the first time.....	43
		Operating the System for the first time.....	43
		Temperature Indication Display	43
		Turn On the Fireplace	43
		Turn Off the Fireplace.....	43
		Remote-Flame Control.....	44
		Room Thermostat (Remote Control Operation).....	44
		Smart Thermostat	44
		(Remote Control Operation)	44
		Disabling Thermostat.....	45
		Fan Speed Control.....	45
		Accent Light Control.....	45
		LED Remote Control Operation	46
		Pairing the remote to the module (Code Clearing and Code Matching).....	46
		Section 10: Cleaning and Maintenance	47
		General	47
		Cleaning.....	47
		Appendix A: Venting Terminations	48
		Appendix B: Warranty	49
		Appendix B: Warranty Continued	50
		Appendix C: Amendment	51
		(Gas Fireplace / Equipment sold in the State of Massachusetts) 5.08: Modifications to NFPA-54, Chapter 10.....	51

Section A: Before You Begin

IMPORTANT MESSAGE: SAVE THESE INSTRUCTIONS

The Distinction Series fireplaces must be installed in accordance with these instructions. Carefully read all the instructions in this manual first. Consult the Local Gas Branch to determine the need for a permit prior to starting the installation. It is the responsibility of the installer to ensure this fireplace is installed in compliance with the manufacturers instructions and all applicable codes.

NOTICE

Do not use this appliance if any part has been under water. Immediately call a qualified service technician to inspect the appliance and to replace any part of the control system and any gas control that has been under water

NOTICE

Due to high temperatures, the appliance should be located out of traffic and away from furniture and draperies

NOTICE

Children and adults should be alerted to the hazards of high surface temperature and should stay away to avoid burns or clothing ignition

NOTICE

A barrier designed to reduce the risk of burns from the hot viewing glass is provided with this appliance and shall be installed for the protection of children and other at-risk individuals

Installation Checklist

- Determine the desired install location of your fireplace.
- See Section 1, Dimensions on Page 8, and refer to the Framing Section 2 for details.
- Select the location of your termination and resulting vent run.
- Your selected termination location must be the highest point in the Direct Vent installation.
- Should it be impossible to meet the venting requirements laid out in Section 3: Venting, please contact your Montigo dealer regarding the use of a Montigo Power Vent.
- Lay out the Vent run; calculating the required elbows and straight runs of 5"/8" flex and/or rigid pipe.
- Layout Electrical Requirements refer to Section 4: Wiring, for Details.
- Refer to Section 5: Installing the Gas Line, for details on the gas connection and access.
- Refer to local codes and guidelines for installation requirements.
- Installation and repairs should be done by a qualified contractor and must conform to:
- Installations in Canada must conform to the local codes or in the absence of local codes to the current version of Natural Gas and Propane Installation Code, CSA B149. Electrical installations must conform to the local codes or, in the absence of local codes, to the current version of Canadian Electrical Code, CSA C22.1.1
- Installations in the USA must conform to the local codes or in the absence of local codes to the current version of National Fuel Gas Code, ANSI Z223.1/NFPA 54. Electrical installations must conform to the local codes or, in the absence of local codes, to the current version of the National Electrical Code, ANSI/NFPA 70. See Appendix C for installation within the State of Massachusetts

NOTICE

Clothing or other flammable material should not be placed on or near the appliance

NOTICE

Installation and repair should be done by a qualified service person. The appliance should be inspected before use and at least annually by a professional service person. More frequent cleaning might be required due to excessive lint from carpeting, bedding material, etc. It is imperative that control compartments, burners, and circulating air passageways of the appliance be kept clean

Standard Installation Checklist

This standard installation checklist is to be used by the installer in conjunction with, not instead of, the instructions contained within this installation manual.

Customer _____	Date Installed: _____
Install Address: _____	Location of Fireplace: _____
_____	Installer: _____
Model (circle one): D3615, D3615ST, D4815, D4815ST, D7215, D7215ST	Dealer Phone: _____
	Serial #: _____

	YES	NO	IF NO, WHY NOT?
Appliance Install: Section 2			
Framing complies with install manual.			
Standoffs have been installed.			
Proper clearances have been maintained.			
Venting: Section 3			
Venting configuration complies with vent diagrams.			
Venting installed, fastened, and secured in place maintaining proper clearance.			
Firestops installed.			
Exterior wall/roof flashing installed and sealed in compliance with local building code.			
Terminations installed and sealed in compliance with local building code.			
Direct vent termination is highest point in vent assembly.			
Wiring/Electrical: Section 4			
Unswitched power provided to the appliance PPO box.			
Low voltage wire connected to dry contact wall switch (non-powered)*			
Gas: Section 5			
Proper appliance for fuel type.			
Was a conversion performed?			
Leak check performed & inlet pressure verified.			
Finishing: Section 6			
Only non-combustible materials installed in non-combustible areas.			
Clearances meet installation manual requirements			
Mantels and/or projections comply with install manual			
Appliance Setup: Section 7 through 9			
Media, door, and screen installed according to install manual			
Manual given to home owner.			
Started appliance and verified no gas leaks exist.			
Comments:			

*Only applicable for DL Series

Rating Plate Sample

<p>Do Not Remove This Label N'enlevez Pas Cette Étiquette</p> <p>Model No. Modèle: D7215SSTN1-2</p> <p>Serial No.: 2-170227-XXXXXX</p> <p>Manufacturer / Fabricant: Canadian Heating Products Inc., Langley BC, (www.montigo.com) Montigo DelRay Corp., Ferndale, WA, (www.montigo.com)</p> <p>Tested To / Examiné À: ANSI Z21.88-2016 / CSA 2.33-2016</p> <p>Electrical Rating / Estimation Électrique: 115V / 1Ph / 60Hz /less than 12A</p> <p>Altitude Rating / Estimation D'Altitude: N & H (0 - 4500 ft. / 0 - 1371 m.)</p> <p>Fuel Type / Type De Carburant:</p> <p><input checked="" type="checkbox"/> Natural Gas / Gaz Naturel 57,000 BTU/H</p> <p><input type="checkbox"/> Propane / Gaz Propane 46,000 BTU/H</p> <p>FOR USE WITH GLASS DOORS AND SCREENS CERTIFIED WITH THE APPLIANCE ONLY Pour utilisation avec portes de verre and écrans de certifiés avec l'appareil seulement</p>	<p>Type: Vented Gas Fireplace Heater</p> <p>For Indoor Use Only Not for use with solid fuel. / Pas pour l'usage avec le combustible solide. Not for use with air filters. / Pas pour l'usage avec des filtres à air.</p> <p>Clearance to Combustibles *Degagements Aux Combustibles</p> <table border="1"> <tr><td>Sides/Côtés:</td><td>4.0"</td></tr> <tr><td>Back/Derrière:</td><td>0.5"</td></tr> <tr><td>Top-Top Vent/Du Haut-Évent Du Haut:</td><td>N/A</td></tr> <tr><td>Top-Rear Vent/Du Haut-Évent Arrière:</td><td>N/A</td></tr> <tr><td>Floor/Plancher:</td><td>0"</td></tr> <tr><td>Mantel/Manteau:</td><td>16"</td></tr> <tr><td>Recess Depth/Profondeur D'Encadrement:</td><td>N/A</td></tr> <tr><td>Facing:</td><td>N/C</td></tr> </table> <p>Gas Manifold Pressure / Pression D'Admission Du Gaz: 3.5" W.C.</p> <p>Min. Gas Supply Pressure/ Min. Pression D'Alimentation Du Gaz: 5.5" W.C.</p> <p>10" W.C. 13" W.C.</p> <p>*Refer to installation manual for more information. *Référez-vous au manuel d'installation pour plus d'information.</p>	Sides/Côtés:	4.0"	Back/Derrière:	0.5"	Top-Top Vent/Du Haut-Évent Du Haut:	N/A	Top-Rear Vent/Du Haut-Évent Arrière:	N/A	Floor/Plancher:	0"	Mantel/Manteau:	16"	Recess Depth/Profondeur D'Encadrement:	N/A	Facing:	N/C
Sides/Côtés:	4.0"																
Back/Derrière:	0.5"																
Top-Top Vent/Du Haut-Évent Du Haut:	N/A																
Top-Rear Vent/Du Haut-Évent Arrière:	N/A																
Floor/Plancher:	0"																
Mantel/Manteau:	16"																
Recess Depth/Profondeur D'Encadrement:	N/A																
Facing:	N/C																

Figure 1.b Rating Plate for D7215ST

<p>Do Not Remove This Label N'enlevez Pas Cette Étiquette</p> <p>Model No. Modèle: D7215N1-2</p> <p>Serial No.: 2-170227-XXXXXX</p> <p>Manufacturer / Fabricant: Canadian Heating Products Inc., Langley BC, (www.montigo.com) Montigo DelRay Corp., Ferndale, WA, (www.montigo.com)</p> <p>Tested To / Examiné À: ANSI Z21.88-2016 / CSA 2.33-2016</p> <p>Electrical Rating / Estimation Électrique: 115V / 1Ph / 60Hz /less than 12A</p> <p>Altitude Rating / Estimation D'Altitude: N & H (0 - 4500 ft. / 0 - 1371 m.)</p> <p>Fuel Type / Type De Carburant:</p> <p><input checked="" type="checkbox"/> Natural Gas / Gaz Naturel 57,000 BTU/H</p> <p><input type="checkbox"/> Propane / Gaz Propane 46,000 BTU/H</p> <p>FOR USE WITH GLASS DOORS AND SCREENS CERTIFIED WITH THE APPLIANCE ONLY Pour utilisation avec portes de verre and écrans de certifiés avec l'appareil seulement</p>	<p>Type: Vented Gas Fireplace Heater</p> <p>For Indoor Use Only Not for use with solid fuel. / Pas pour l'usage avec le combustible solide. Not for use with air filters. / Pas pour l'usage avec des filtres à air.</p> <p>Clearance to Combustibles *Degagements Aux Combustibles</p> <table border="1"> <tr><td>Sides/Côtés:</td><td>4.0"</td></tr> <tr><td>Back/Derrière:</td><td>0.5"</td></tr> <tr><td>Top-Top Vent/Du Haut-Évent Du Haut:</td><td>N/A</td></tr> <tr><td>Top-Rear Vent/Du Haut-Évent Arrière:</td><td>N/A</td></tr> <tr><td>Floor/Plancher:</td><td>0"</td></tr> <tr><td>Mantel/Manteau:</td><td>16"</td></tr> <tr><td>Recess Depth/Profondeur D'Encadrement:</td><td>N/A</td></tr> <tr><td>Facing:</td><td>N/C</td></tr> </table> <p>Gas Manifold Pressure / Pression D'Admission Du Gaz: 3.5" W.C.</p> <p>Min. Gas Supply Pressure/ Min. Pression D'Alimentation Du Gaz: 5.5" W.C.</p> <p>10" W.C. 13" W.C.</p> <p>*Refer to installation manual for more information. *Référez-vous au manuel d'installation pour plus d'information.</p>	Sides/Côtés:	4.0"	Back/Derrière:	0.5"	Top-Top Vent/Du Haut-Évent Du Haut:	N/A	Top-Rear Vent/Du Haut-Évent Arrière:	N/A	Floor/Plancher:	0"	Mantel/Manteau:	16"	Recess Depth/Profondeur D'Encadrement:	N/A	Facing:	N/C
Sides/Côtés:	4.0"																
Back/Derrière:	0.5"																
Top-Top Vent/Du Haut-Évent Du Haut:	N/A																
Top-Rear Vent/Du Haut-Évent Arrière:	N/A																
Floor/Plancher:	0"																
Mantel/Manteau:	16"																
Recess Depth/Profondeur D'Encadrement:	N/A																
Facing:	N/C																

Figure 1 Rating Plate for D7215

Section 1: Product Dimensions

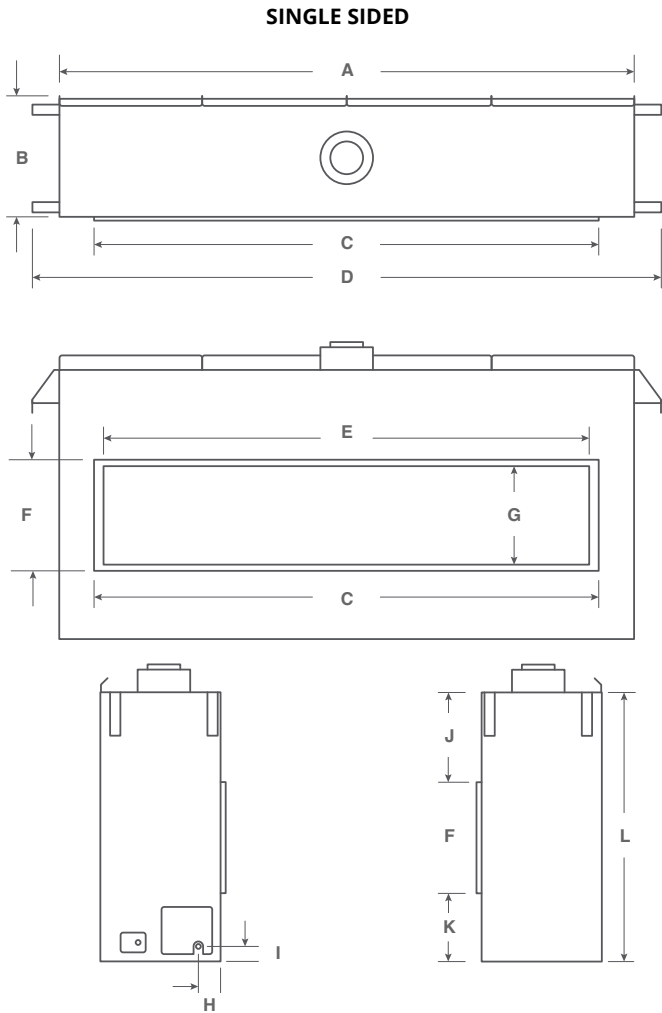


Figure 2. Distinction Fireplace dimensions (Tolerance ± 1/8").

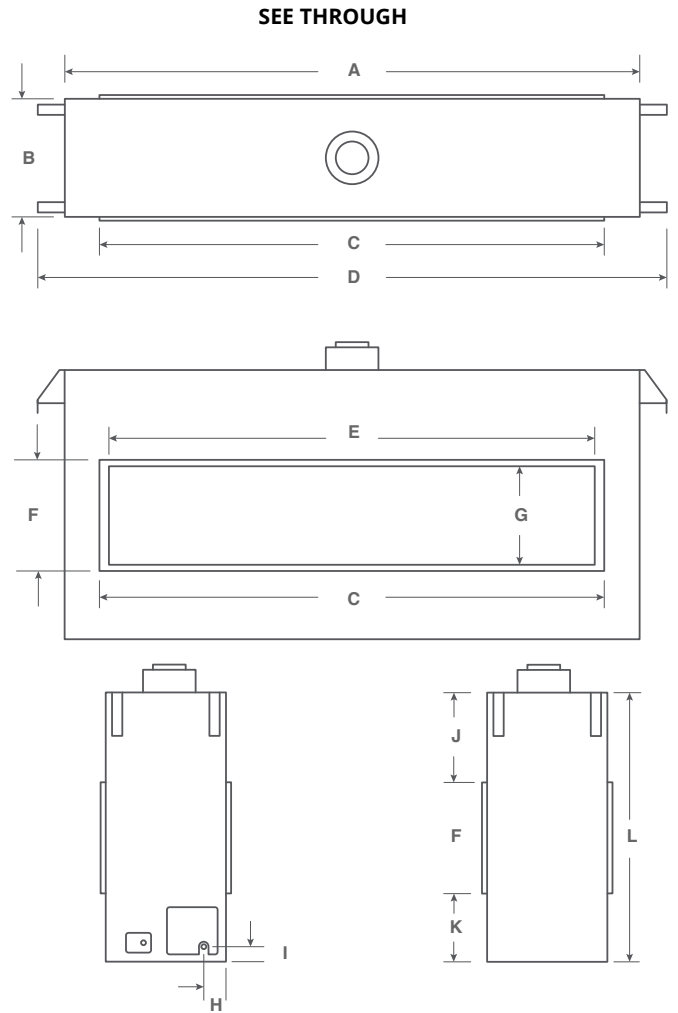


Figure 2.b Distinction Fireplace dimensions (Tolerance ± 1/8").

D3615 SINGLE SIDED DIMENSIONS

A	B	C	D	E	F	G	H	I	J	K	L
51 7/8	17 3/4	40 3/4	N/A	36	17	14	7	2 3/8	13 3/8	10 3/8	41

D4815 SINGLE SIDED DIMENSIONS

A	B	C	D	E	F	G	H	I	J	K	L
63 7/8	17 3/4	52 13/16	71 3/4	49 7/8	17	15 1/2	3 3/8	2 1/2	13 3/8	10 3/8	41

D7215 SINGLE SIDED DIMENSIONS

A	B	C	D	E	F	G	H	I	J	K	L
87 7/8	18 1/2	76 3/4	95 11/16	73 3/4	17	15 1/2	3 9/16	2 3/8	13 3/8	10 3/8	41

D3615 SEE THROUGH DIMENSIONS

A	B	C	D	E	F	G	H	I	J	K	L
51 7/8	17 3/4	40 3/4	59 3/4	36	17	14	7	2 3/8	13 3/8	10 3/8	41

D4815 SEE THROUGH DIMENSIONS

A	B	C	D	E	F	G	H	I	J	K	L
63 7/8	17 3/4	52 13/16	71 3/4	49 7/8	17	15 1/2	3 3/8	2 1/2	13 3/8	10 3/8	41

D7215 SEE THROUGH DIMENSIONS

A	B	C	D	E	F	G	H	I	J	K	L
87 7/8	17 3/4	76 3/4	95 11/16	73 3/4	17	15 1/2	3 3/8	2 3/8	13 3/8	10 3/8	41

Section 2: Framing

Combustible Wall Clearances

To ensure the fireplace operates safely, all models must maintain the following clearances:

MODEL	Top	Sides	Floor	Back	Base of unit to ceiling †
D3615	48"	4"	0"	.5"	89"
D3615ST	48"	4"	0"	N/A	89"
D4815	48"	4"	0"	.5"	89"
D4815ST	48"	4"	0"	N/A	89"
D7215	48"	4"	0"	.5"	89"
D7215ST	48"	4"	0"	N/A	89"

Figure 3. Combustible Wall Clearances

† Note: If measuring from bottom edge of concrete board to ceiling, minimum clearance is 92¼."

Unprotected combustible walls which are perpendicular to the fireplace opening must maintain 6" clearance.

NOTE: When constructing the framed opening, please ensure there is access to install the gas line when the unit is installed.

WARNING

When this appliance is installed directly on ANY combustible other than wood flooring (carpet, vinyl, etc.). It must be installed on an equivalent wood or metal panel. This material must extend the full width and depth of the appliance.

NOTICE

Clearances must be in accordance with local installation codes and the requirements of the gas supplier

NOTICE

Framing measurement includes 2¼" platform to avoid driving screws into important components inside the fireplace box.

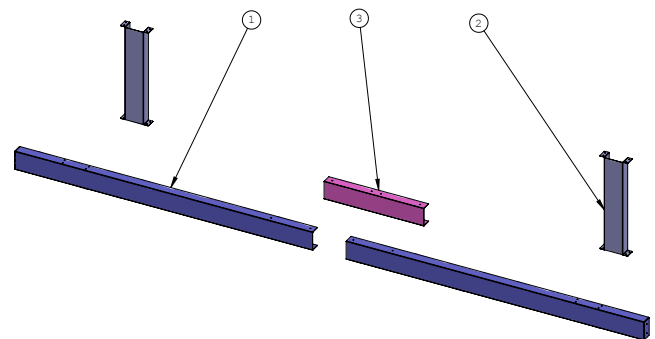
Assemble Non Combustible Framing



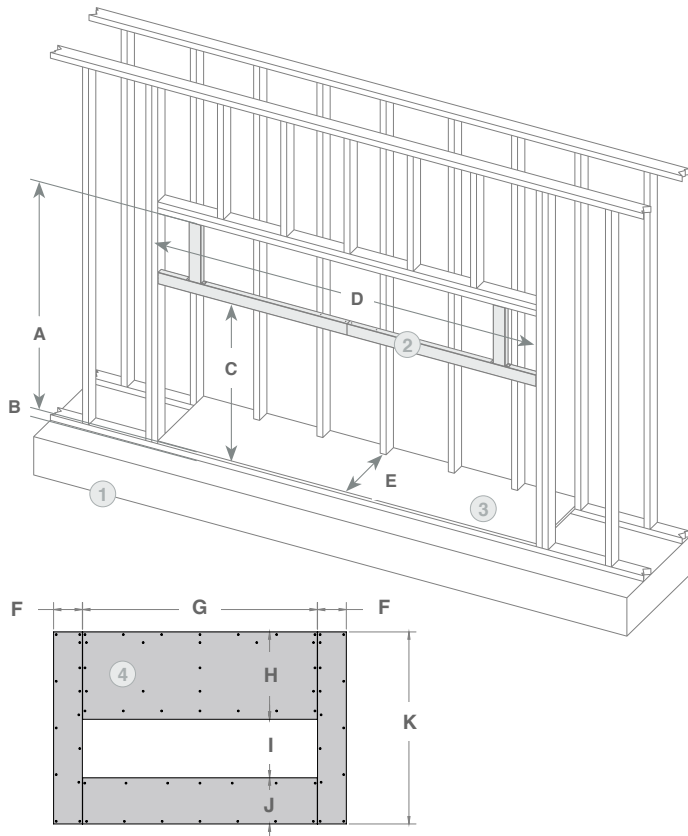
Figure 8. Assembly of Non Combustible Framing

D4815	
A	15 ¾"
B	18 ¾"
C	47 13/16"
D	95 ¾"

D7215	
A	15 ¾"
B	18 ¾"
C	47 13/16"
D	95 ¾"



Framing the Single Sided Fireplace



D3615 SINGLE SIDED DIMENSIONS

A	B	C	D	E	F	G	H	I	J	K
59 $\frac{3}{8}$	2 $\frac{1}{4}$	N/A	59 $\frac{3}{4}$	17 $\frac{1}{2}$	10 $\frac{7}{8}$	40 $\frac{7}{8}$	24	17 $\frac{1}{2}$	12 $\frac{1}{16}$	53 $\frac{11}{16}$

D4815 SINGLE SIDED DIMENSIONS

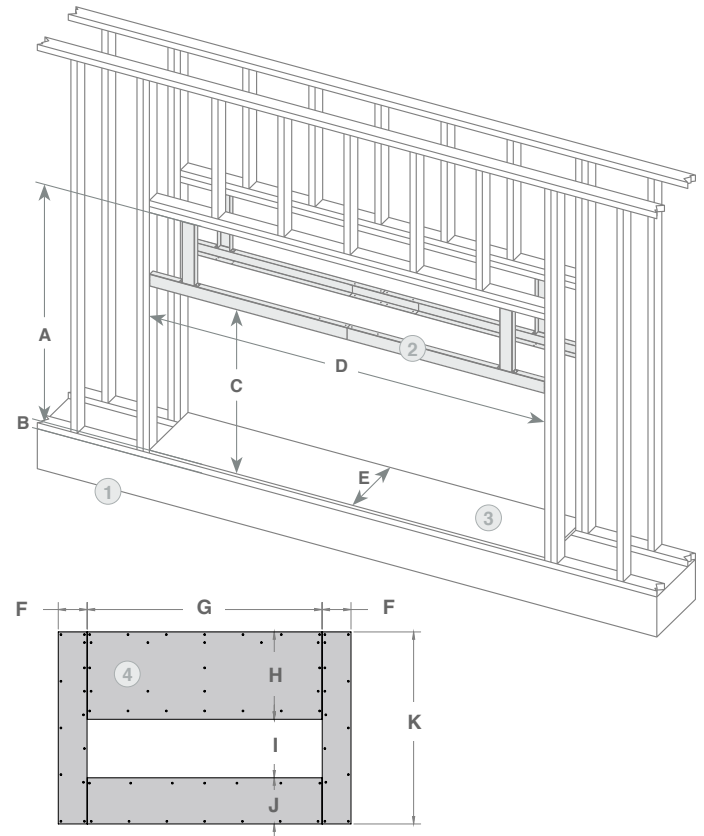
A	B	C	D	E	F	G	H	I	J	K
50 $\frac{3}{8}$	2 $\frac{1}{4}$	33 $\frac{11}{16}$	79 $\frac{1}{2}$	18	8 $\frac{1}{2}$	66 $\frac{1}{8}$		16 $\frac{1}{2}$	13	54 $\frac{1}{8}$

D7215 SINGLE SIDED DIMENSIONS

A	B	C	D	E	F	G	H	I	J	K
59 $\frac{3}{8}$	2 $\frac{1}{4}$	41 $\frac{1}{16}$	95 $\frac{3}{4}$	18 $\frac{1}{2}$	10 $\frac{7}{8}$	76 $\frac{1}{8}$	33 $\frac{7}{16}$	17 $\frac{1}{2}$	12 $\frac{1}{16}$	63 $\frac{1}{8}$

1	Floor structure
2	Non-combustible metal framing
3	Fireplace platform
4	Concrete board

Framing the See-Through Fireplace



D3615 SEE THROUGH DIMENSIONS

A	B	C	D	E	F	G	H	I	J	K
49 $\frac{15}{16}$	2 $\frac{1}{4}$	N/A	59 $\frac{3}{4}$	17 $\frac{11}{16}$	10 $\frac{7}{8}$	40 $\frac{7}{8}$	24	17 $\frac{1}{2}$	12 $\frac{1}{16}$	53 $\frac{11}{16}$

D4815 SEE THROUGH DIMENSIONS

A	B	C	D	E	F	G	H	I	J	K
50 $\frac{3}{8}$	2 $\frac{1}{4}$	33 $\frac{11}{16}$	79 $\frac{1}{2}$	18 $\frac{7}{16}$	8 $\frac{1}{2}$	66 $\frac{1}{8}$		16 $\frac{1}{2}$	13	54 $\frac{1}{8}$

D7215 SEE THROUGH DIMENSIONS

A	B	C	D	E	F	G	H	I	J	K
59 $\frac{3}{8}$	2 $\frac{1}{4}$	41 $\frac{1}{16}$	95 $\frac{3}{4}$	17 $\frac{11}{16}$	10 $\frac{7}{8}$	76 $\frac{1}{8}$	33 $\frac{7}{16}$	17 $\frac{1}{2}$	12 $\frac{1}{16}$	63 $\frac{1}{8}$

1	Floor structure
2	Non-combustible metal framing
3	Fireplace platform
4	Concrete board

Chase venting

At a minimum, a 120ⁱⁿ2 opening is required in the finished enclosure to keep temperatures within a safe level. This can be achieved in a variety of ways such as the few shown below.

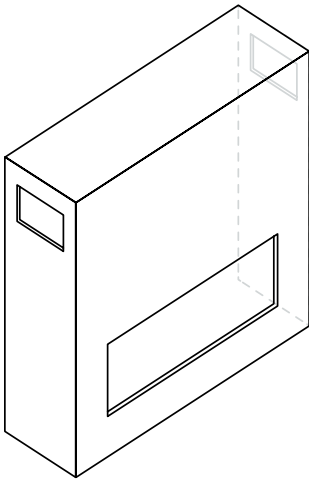


Figure 19.b Side chase venting (6"x10") on both sides of enclosure

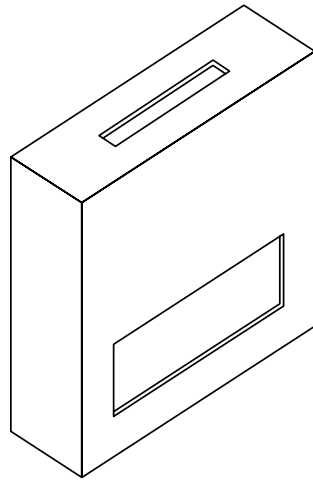


Figure 19.c Top chase venting (3"x40") on top of enclosure

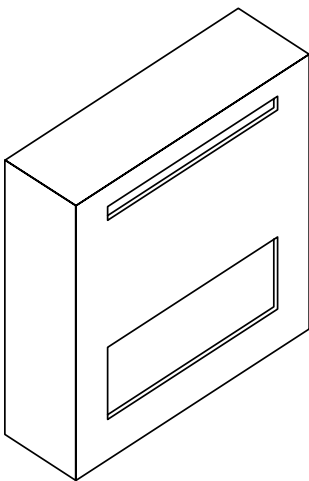


Figure 19.d Front chase venting (2"x60") on front of enclosure

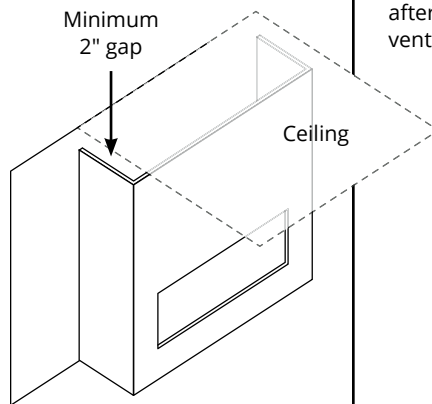


Figure 19.d Open top chase venting on top of enclosure

The opening of the chase cannot be lower than 3" from the top of the enclosure to prevent heat from pocketing at the top of the enclosure. A minimum of 2" from the top of a chase vent to the ceiling is needed. Any combination of the above examples is an acceptable chase vent providing they add up to 120ⁱⁿ2

TV recess framing

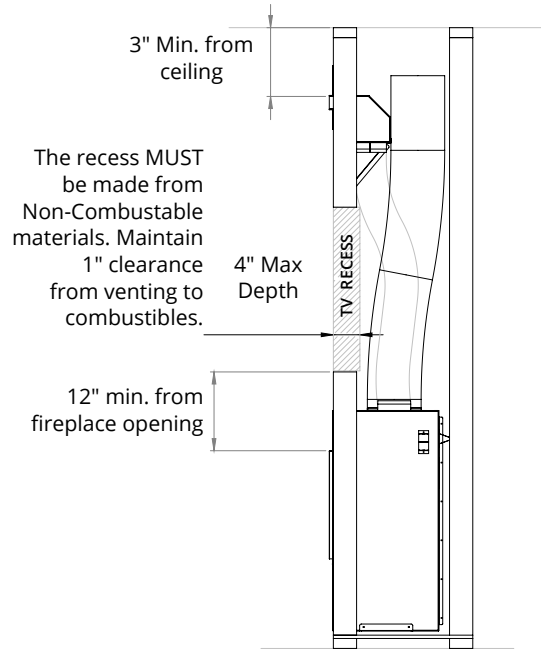


Figure 8.b.d Cool Wall Advantage TV recess dimensions

The recess must be made from Non-Combustable materials. Recess can be increased beyond a 4" depth by using a 45° or 90° elbow in venting after the minimum 3' upward distance is achieved, 1" clearance from venting to combustibles must still be maintained.

Framing with Cool Wall Advantage

Below are basic instructions on the framing of the Cool Wall advantage kit. More detailed instructions including the installation diagrams are included with the kit.

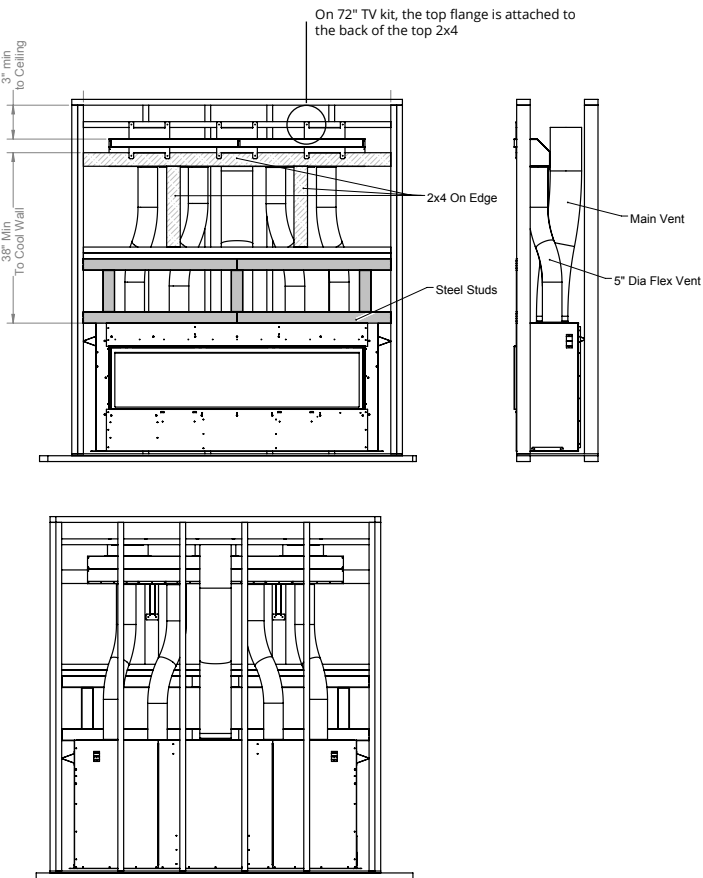
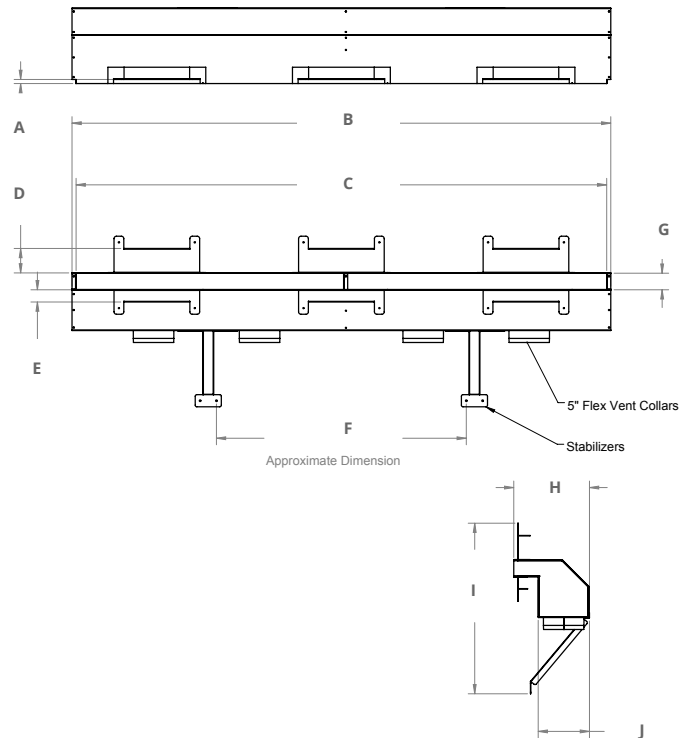


Figure 8.b.b Framing with Cool Wall Advantage



HDKPD** DIMENSIONS

	A	B	C	D	E	F	G	H	I	J
36"	1/2"	39 13/16"	38 7/8"	3"	1 1/2"	N/A	2"	9 5/16"	N/A	7 1/16"
48"	1/2"	51 7/8"	50 7/8"	3"	1 1/2"	30 1/2"	2"	9 5/16"	21"	7 1/16"
72"	1/2"	75 13/16"	74 13/16"	3"	1 1/2"	39 7/16"	2"	9 5/16"	21"	7 1/16"

Section 3: Venting

The termination location MUST be selected such that it is the highest point in the venting assembly. It should also be selected such that it provides the shortest vent run possible. Should it be impossible to ensure that the termination is the highest point or should it be impossible to meet the venting guidelines laid out below please contact your Montigo dealer to discuss power venting options.

Notes For Planning Venting:

- Venting originates from the top of the unit.
- Venting can terminate through the roof or exterior wall.
- For a detailed diagram of allowed termination locations, see Appendix A.
- Once the termination location has been established refer to the appropriate section for installation details.
- For Heat Shield requirements see Section 3-3-3.

NOTICE

Under no circumstances can Montigo flex venting be cut to accommodate an installation. Use an alternative length to complete your vent run.



Restrictor plate Installation

The distinction is supplied with 3 different sized restrictor plates to improve flame efficiency. The size of restrictor used largely depends on the number of elbows used in the vent run, as well as vertical rise.



Figure 8.b.b Included Restrictor plates

Included Restrictor plates:

- 1" Baffle
- 1.5" Baffle
- 1.75" Baffle

Lengthy vertical runs without elbows would generally require the 1.75" restrictor. Shorter runs, or multi elbow installations would use the 1.5" or the 1" restrictor.



Figure 8.b.c Restrictor plate Installation

Section 3-3-1: Venting Layouts

Vertical Termination

*Restrictor may be required

D3615, D3615ST, D4215, D4215ST, D7215, D7215ST	
Vertical Minimum	3'
Vertical Maximum	32'

If the vent rise is over 8ft straight vertical, a restrictor must be installed. We recommend using the 1.75" wide restrictor. If 1.75" is too restrictive, a 1.5" and 1" restrictor is also supplied.

NOTE: If using a restrictor, use an IR gun to measure the glass temperature after 1 hour of running, and ensure the glass temperature does not exceed 470°F and ensure that none of the media and no part of the door has discoloured.

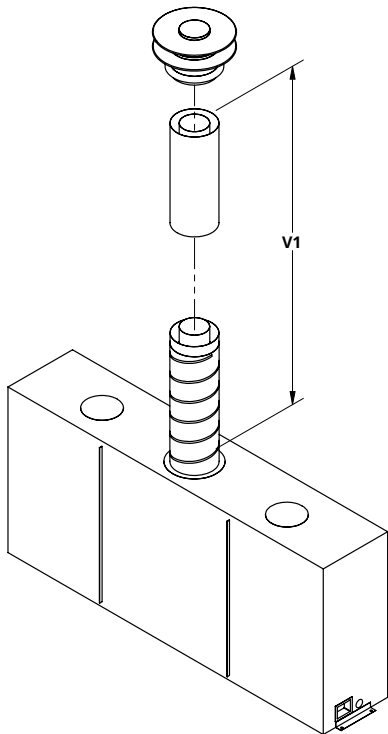


Figure 8. Vertical Termination

Vertical Termination - 2 Elbows

*Minimum 36" from top of unit before attaching an elbow

D3615, D3615ST, D4215, D4215ST, D7215, D7215ST									
Vertical Minimum V1+V2	3'	4'	5'	6'	7'	8'	9'	10'	
Horizontal Maximum H1	2'	6'	10'	12'	15'	18'	21'	24'	

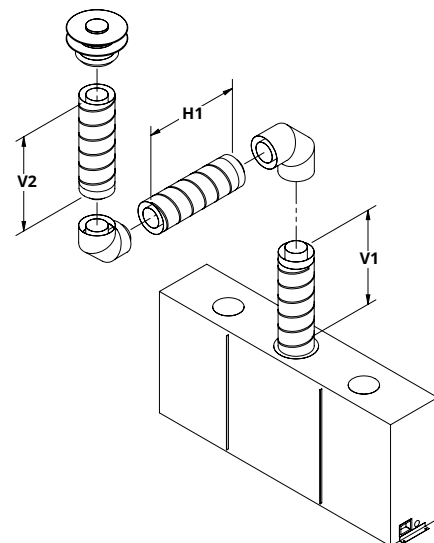


Figure 8.b Vertical Termination - 2 Elbows

Vertical Termination - 3 Elbows

*Minimum 36" from top of unit before attaching an elbow

D3615, D3615ST, D4215, D4215ST, D7215, D7215ST								
Vertical Minimum V1+V2	3'	4'	5'	6'	7'	8'	9'	10'
Horizontal Maximum H1+H2	2'	6'	10'	12'	15'	18'	21'	24'

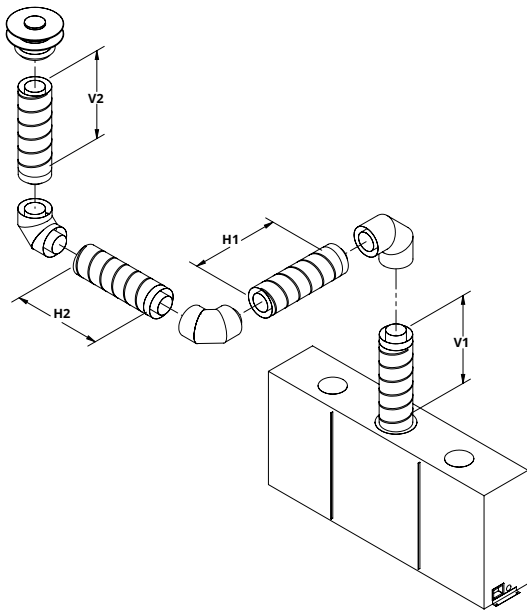


Figure 8.c Vertical Termination - 3 Elbows

Horizontal Termination - 1 Elbow

*Minimum 36" from top of unit before attaching an elbow

D3615, D3615ST, D4215, D4215ST, D7215, D7215ST								
Vertical Minimum V1	3'	4'	5'	6'	7'	8'	9'	10'
Horizontal Maximum H1	2'	6'	10'	12'	15'	18'	21'	24'

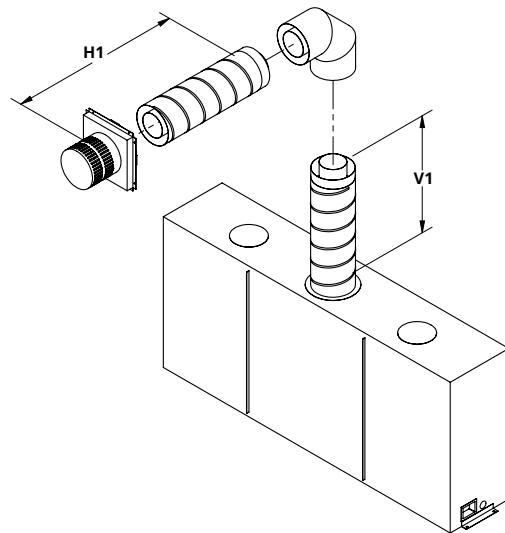


Figure 8.d Horizontal Termination - 1 Elbow

Horizontal Termination - 2 Elbows

*Minimum 36" from top of unit before attaching an elbow

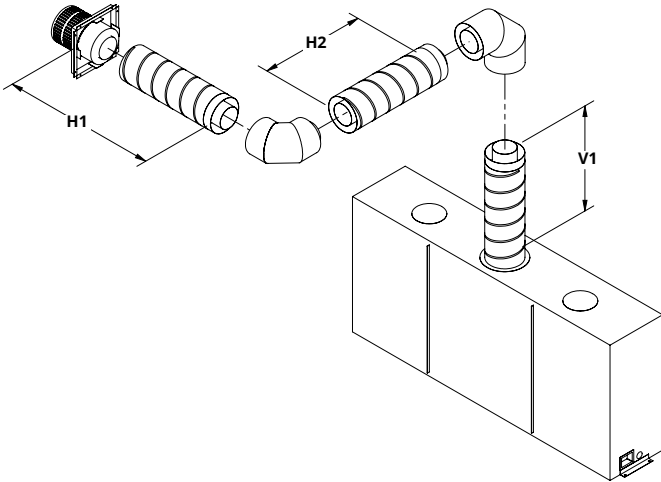


Figure 8.e Horizontal Termination - 2 Elbows

D3615, D3615ST, D4215, D4215ST, D7215, D7215ST									
Vertical Minimum V1	3'	4'	5'	6'	7'	8'	9'	10'	
Horizontal Maximum H1+H2	2'	6'	10'	12'	15'	18'	21'	24'	

Horizontal Termination - 3 Elbows

*Minimum 36" from top of unit before attaching an elbow

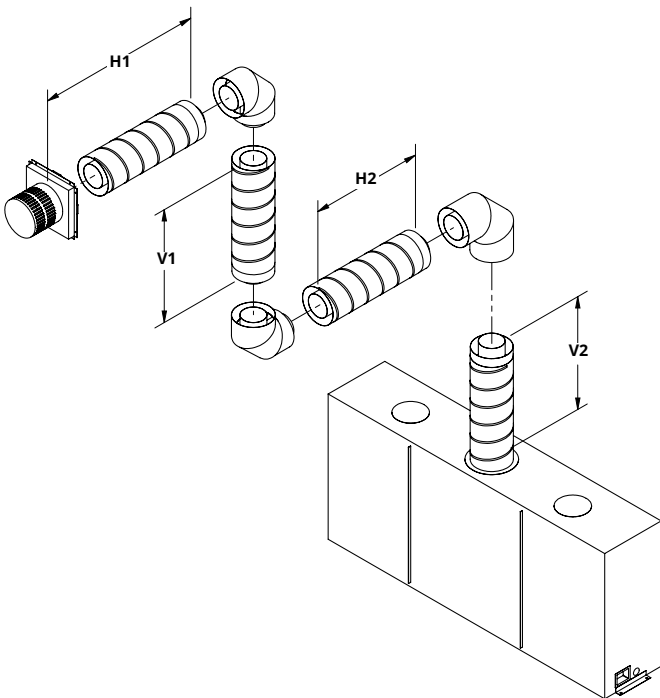


Figure 8.f Horizontal Termination - 3 Elbows

D3615, D3615ST, D4215, D4215ST, D7215, D7215ST						
Vertical Minimum V1+V2	5'	6'	7'	8'	9'	10'
Horizontal Maximum H1+H2	10'	12'	15'	18'	21'	24'

Section 3-2: Installing a Roof Mounted Direct Vent Termination (PVTk1SS)

This section applies to installations where the direct vent termination will be roof mounted.

Section 3-2-1: Venting Layout

Selection of components and details of venting lay out should adhere to the following guidelines:

- The maximum termination point is 32' above the fireplace. (NOTE: if the maximum termination height is used, the flame pattern may be affected).
- The vertical termination must be a minimum 2' higher than where the termination exits the roofing materials, (asphalt shingles, cedar shakes, etc). This distance should be measured from the high side of the roof slope where the flue flashing intersects the roofing materials.
- For a detailed diagram of allowed termination locations, see Appendix A.
- Termination location must be a minimum 6' from a mechanical air inlet.
- A maximum of three offsets (each offset is made up of 2-90° bends) may be made for vertical vent runs.
- Firestops must be installed as required by National & local codes.
- Ensure all horizontal runs are supported with a minimum of 3 supports per 10' of venting.
- Install all roof flashing and storm collars as shown.

Roof mounted Terminations

The following details are some possible configurations for Roof mounted terminations. See below.

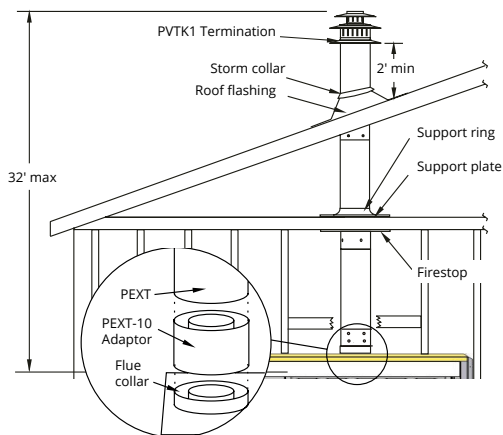


Figure 9. Top vent, Roof mounted termination with no offset in vent run.

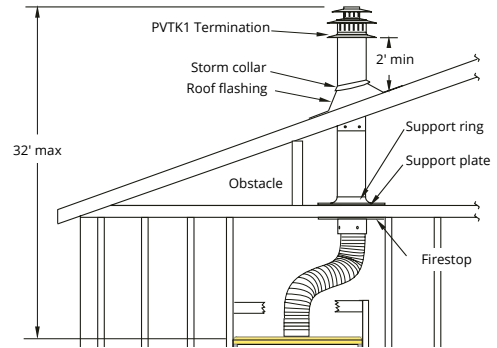


Figure 9.b Top vent, Roof mounted with 1 offset (1 offset= two 90° bends).

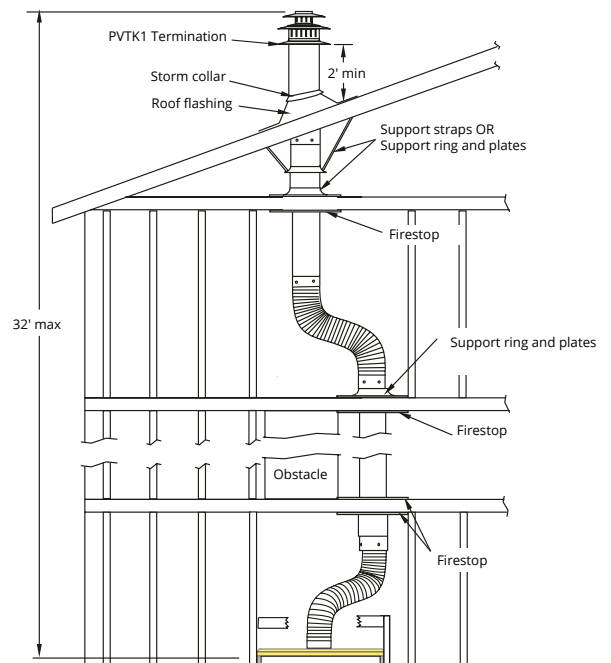


Figure 9.c Top vent, Roof mounted with 2 offsets (1 offset= two 90° bends).

Section 3-3: Installing a Wall Mounted Direct Vent Termination

This section applies to installations where the direct vent termination will be wall mounted.

Installation of termination with built in frame

A Termination with a Built-In Frame is installed during framing of a structure.

1. Frame the termination opening to 11" x 11".
2. Install exterior sheathing to the structure framing.
3. Fasten the termination to the sheathing using a minimum of 4 screws.

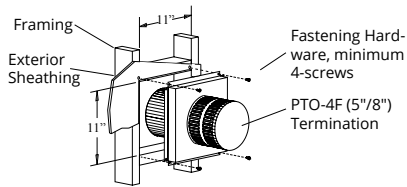


Figure 10. Installing a PTO-4F termination.

Installation of termination frame at time of framing

Terminations with a MSR frame allow the installation of the frame prior to installation of the termination.

1. Frame the termination opening to 12" x 12".
2. Secure the MSR Frame to the exterior sheathing of the structure.
3. Fasten the termination to the MSR Frame using a minimum of 4 screws.

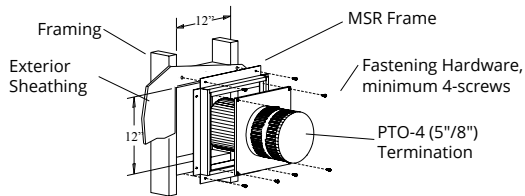


Figure 10.b Installing a PTO termination with the MSR frame.

Installation of termination frame at time of framing in masonry

Terminations with a BSR frame allow the installation of the frame in masonry prior to the installation of the termination

1. Frame the BSR opening to 12" x 12".
2. Secure the BSR Frame to the exterior sheathing of the structure.
3. Fasten the termination to the BSR Frame using a minimum of 4 screws.

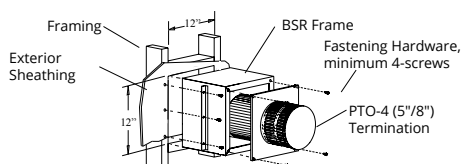


Figure 10.c Installing a PTO termination with the BSR frame.

Installation of termination from inside structure

A Termination with a MOSR Frame is installed from the inside of the structure. These are commonly used in high-rise construction.

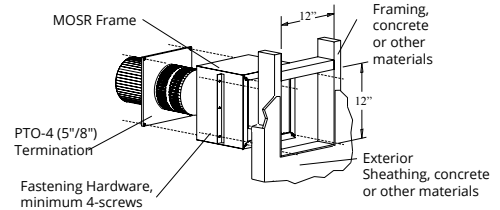


Figure 10.d Installing a PTO termination with MOSR frame.

1. Frame the MOSR opening to 12" x 12".
2. Fasten the MOSR frame to the interior side of the studs, concrete, or finished wall construction using a minimum of 4 screws.
3. Insert the termination into the MOSR frame as shown here, (from the inside) and attach to the MOSR by installing a min. quantity of 4 bolts into the threaded nuts on the MOSR Frame.

Installation of a termination shield for vinyl siding

The VSS Termination shield is installed when the exterior of a structure is clad with Vinyl siding. It is placed directly above, and on-center with the termination.

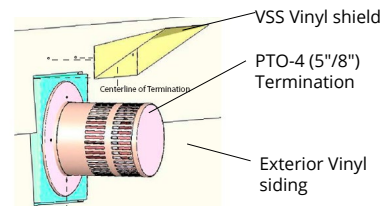


Figure 10.e Installing the VSS Vinyl Shield.

Installing heat guards

Installing heat guards over terminations is recommended in installations where the termination is located within 7' feet above grade, or above a pedestrian walkway, and may be required by code in public areas.

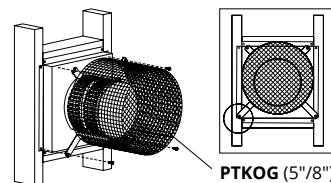


Figure 10.f Installing a PTO termination heat guard.

1. Ensure that the two long mounting brackets are facing the bottom of the termination (See inset). This will provide more heat protection at the top of the termination, where temperatures are highest.
2. Attach to the faceplate of the termination using four sheet metal screws.

Section 3-3-2: Venting Components

The following components and associated Montigo part numbers for installation of a roof or wall mounted termination. Use of non-Montigo approved parts will VOID the warranty and may impede operation of the fireplace.

A - Termination	PTO4 (3" Length) PTO4F (3" Length) PVTK1SS
B - Frame Kits	MSR (Stucco Frame) MOSR (Stucco Frame) BSR-4 (4" Brick Frame) BSR-6 (6" Brick Frame)
C - Flex Sections	PFL - 1 (12" f/f Section) PFL - 18 (18" f/f Section) PFL - 2 (24" f/f Section) PFL - 3 (36" f/f Section) PFL - 4 (48" f/f Section) PFL - 6 (72" f/f Section)
D - Rigid Pipe	PEXT - 1 (12" f/m Section) PEXT - 2 (24" f/m Section) PEXT - 3 (36" f/m Section) PEXT - 4 (48" f/m Section) PEXT - 6 (72" f/m Section)
E - Rigid Pipe Extension	PXT - 5 (5" f/f Section) PXT - 12 (12" f/f Section) PXT - 20 (20" f/f Section)
F - Elbows	PEL-90MM (m/m 90° Elbow) PEL-90FF (f/f 90° Elbow) PEL-90FM (f/m 90° Elbow) PEL-45FM (f/m 45° Elbow)
G - Wall Penetration Kit	PFVK01F
H - Support Ring & Plate	PSPXT-8
I - Firestop	FS-8
J - Roof Flashing	PRF-7 (1/12 - 7/12 pt.) PRF-12 (7/12 - 12/12 pt.)
K - Heat Shield	RHS101
L - Heat Guard	MTKOG

Connection and installation of the vent components should adhere to the following guidelines:

- Use any combination of rigid and flex pipe as required and in any orientation (Male connectors can face in any direction).
- Flex sections may be stretched up to 50% of their total length (e.g. a 24" section may be stretched to 36").
- Connect all vent sections using a minimum of three sheet metal screws on the outer pipe flue.
- Ensure the pipe ends male to female slide in a minimum of 1 1/2" of overlap.
- Ensure all horizontal runs are supported with a minimum of 3 supports per 10' of venting.
- When hanging/supporting venting, ensure that 1" clearance is maintained on sides and bottom of vent runs and 2" above horizontal vent runs to any combustible material.
- Rigid pipe may be cut less than half way from the **FEMALE END ONLY**.
- Flex pipe cannot be cut
- Ensure when cutting sections of rigid pipe to maintain integrity of internal supports.
- For flex venting, place the springs supplied with the pipe kit, between the outer and inner pipes to keep the pipes separate and avoid any possible hot spots.
- Montigo recommends the use of a flex section for the final pipe connected directly to the fireplace offering greater flexibility of installation and absorption of movement.
- Firestops must be installed as required by National & local codes.

IMPORTANT:

Please Refer to your Building Envelope Engineer or Waterproofing Consultant for a review of ALL penetrations through exterior walls or the roof.

Section 3-3-2.2: Simpson Duravent Venting Components

The following Simpson Duravent venting components are approved for use with Montigo products. Please contact your local Montigo dealer for further information.

Component	Montigo Part Number	Simpson Duravent Part Number
Termination	PTO4 (3" Length) PTO4F (3" Length) PVTK1SS (5/8 Vent)	58DVA-HC (Horizontal 5/8 vent) 58DVA-VCH (Vertical 5/8 Vent)
Rigid Sections (5/8 Vent)	PEXT - 1 (12" f/m) PEXT - 2 (24" f/m) PEXT - 3 (36" f/m) PEXT - 4 (48" f/m) PEXT - 6 (72" f/m)	58DVA-06 (6") 58DVA-09 (9") 58DVA-12 (12") 58DVA-18 (18") 58DVA-24 (24") 58DVA-36 (36") 58DVA-48 (48") 58DVA-60 (60")
Rigid Pipe Extension	PXT12 (12" f/f) PXT20 (20" f/f)	58DVA-08A (12") 58DVA-16A (20")
Rigid Telescopic Pipe		58DVA-17TA 58DVA-24TA
E - Elbows (5/8 Vent)	PEL-90MM (m/m 90°) PEL-90FF (f/f 90°) PEL-90FM (f/m 90°) PEL-45FM (f/m 45°)	58DVA-E30 (30°) 58DVA-E45 (45°) 58DVA-E60 (60°) 58DVA-E90 (90°)
Support Ring & Plate	PSPXT-8	58DVA-DC
Firestop	FS-8	58DVA-WFS 58DVA-FS
Roof Flashing	PRF-7 (1/12 - 7/12 pt.) PRF-12 (7/12 - 12/12 pt.)	58DVA-FF (flat roof) 58DVA-F6 (0/12 - 6/12 pt.) 58DVA-F12 (7/12 - 12/12 pt.)
Metal/Tile Roof Flashing		58DVA-F6DS (0/12-6/12 pt.) 58DVA-F12DS (7/12-12/12 pt.)
Heat Shield	RHS101	58DVA-WTU 58DVA-WT
Attic Radiation Shield		58DVA-IS
Vinyl Siding Heat Shield	VSS VSSSS	58DVA-VSK (Vinyl Siding Standoff Kit)
Wall Support		58DVA-WS
Offset Support		58DVA-ES
Vaulted Ceiling Support		58DVA-CS
Storm Collar	SC8	58DVA-SC
Montigo Fireplace Adapter		58DVA-AD-M1
Montigo Termination Adapter		58DVA-AD-M2

Section 3-3-2.3: ICC Venting Components*

The following ICC venting components are approved for use with Montigo products. Please contact your local Montigo dealer for further information.

Component	Montigo Part Number	ICC Part Number
Rigid Sections (5/8 Vent)		5DL6 (6") 5DL9 (9")
	PEXT - 1 (12" f/m) PEXT - 2 (24" f/m) PEXT - 3 (36" f/m) PEXT - 4 (48" f/m) PEXT - 6 (72" f/m)	5DL1 (12") 5DL2 (24") 5DL3 (36") 5DL4 (48")
Rigid Pipe Extension	PXT12 (12" f/f) PXT20 (20" f/f)	5DLT (12") 5DLS1 (12") 5DLT2 (20") 5DLS2 (20")
Rigid Telescopic Pipe		5DLA30
E - Elbows (5/8 Vent)	PEL-90MM (m/m 90°) PEL-90FF (f/f 90°) PEL-90FM (f/m 90°) PEL-45FM (f/m 45°)	5DE45 (45°) 5DE90 (90°)
Support Ring & Plate	PSPXT-8	5CS
Firestop	FS-8	5CS
Heat Shield	RHS101	5WT 5WTE
Attic Radiation Shield		5AS 5RDS
Wall Support		5WS
Offset Support		5OS
Vaulted Ceiling Support		5SS
Storm Collar	SC8	5SC 5SQSC
Montigo Fireplace Adapter		TM-5AA6
Montigo Termination Adapter		TM-5TA1

* Must use Montigo termination, see section 3-3-2.

Section 3-3-2.4: MetalFab Venting Components*

The following MetalFab venting components are approved for use with Montigo products. Please contact your local Montigo dealer for further information.

Component	Montigo Part Number	MetalFab Part Number
Rigid Sections (5/8 Vent)		5D6 (6")
	PEXT - 1 (12" f/m) PEXT - 2 (24" f/m) PEXT - 3 (36" f/m) PEXT - 4 (48" f/m) PEXT - 6 (72" f/m)	5D12 (12") 5D18 (18") 5D24 (24") 5D36 (36") 5D48 (48")
Rigid Pipe Extension	PXT5 (5" f/f) PXT12 (12" f/f) PXT20 (20" f/f)	5DAL (3" to 10")
E - Elbows (5/8 Vent)	PEL-90MM (m/m 90°) PEL-90FF (f/f 90°) PEL-90FM (f/m 90°) PEL-45FM (f/m 45°)	5D45L (45°) 5D90L (90°)
Firestop	FS-8	5DFS
Roof Flashing	PRF-7 (1/12 - 7/12 pt.) PRF-12 (7/12 - 12/12 pt.)	5DF (0/12 - 6/12 pt.) 5DF-12 (7/12 - 12/12 pt.)
Wall Support		5DWS
Vaulted Ceiling Support		DRS
Storm Collar	SC8	5DSC
Montigo Fireplace Adapter		5DNA
Montigo Termination Adapter		5DMTA

* Must use Montigo termination, see section 3-3-2.

Section 3-5: Heat Shields

Installing a Wall Mounted RHS102 Heat shield

The RHS102 Heat shield must be used if vent pipe passes through a wall or ceiling within 6' of the unit.

To install the RHS102, Slide the Inner Section over the vent pipe that will connect to the fireplace. Then fasten the vent pipe to the back of the fireplace with a minimum of three sheet metal screws. From the outside slide the RHS102 outer section on. To complete the installation fasten the Heat Shield Outer Section & inner section to the structure.

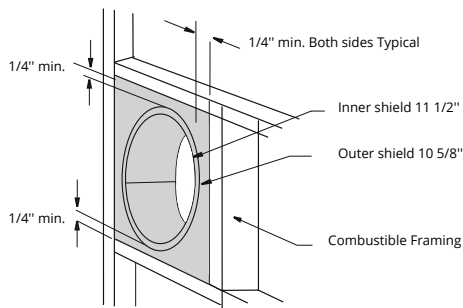


Figure 11. RHS102 Installation. (Install by sliding over vent pipe where it passes through the combustible construction).

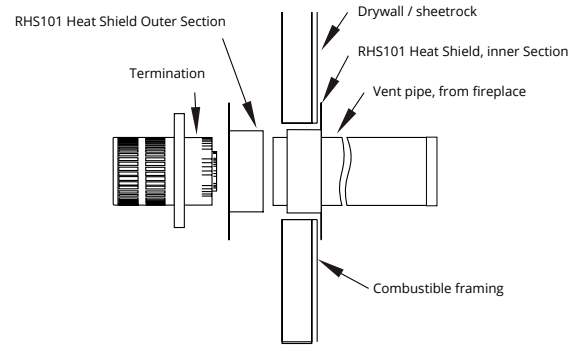


Figure 11.b RHS101 Installation. (Install by sliding Outer Section over vent pipe where it passes through the combustible construction).

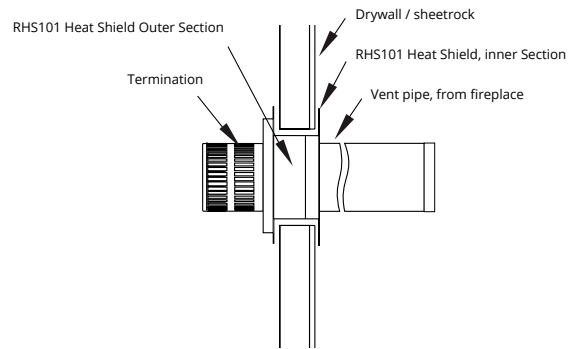


Figure 11.c Heat Shield. After sliding the outer section in place.

Burner tray Removal

Power and gas to the unit MUST be disconnected before installing

For instructions on how to remove the door please see the door install/removal section.

1. Unscrew and remove the pilot cover from the burner tray.

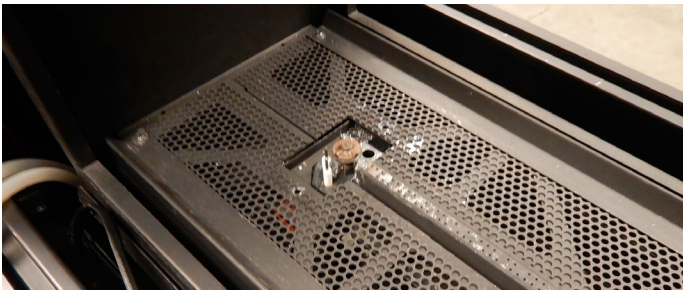


Figure 12. Removal of the pilot cover

2. The trays can now be removed from the firebox.

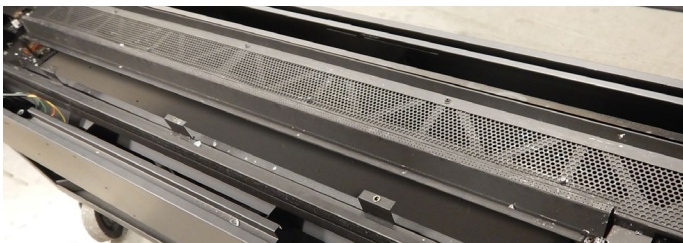


Figure 12.c Removing the media trays

3. Loosen the 4 screws securing the burner strip to the stands.



Figure 12.d Removing the Burner screws

4. Carefully slide out burner strip from the firebox.



Figure 12.e Removing the Burner

5. Unscrew brackets securing metal plate to the bottom of the firebox.

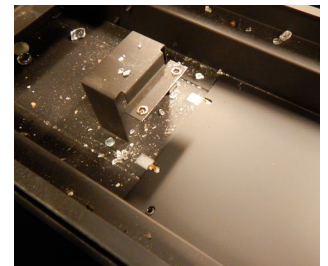


Figure 12.f Unscrewing brackets securing metal plate

6. Remove metal plate from bottom of the firebox.



Figure 12.g Removing metal plate

Propane Conversion

To convert the Distinction from Natural Gas to Propane, install the GCA009 for D units. The unit must be disconnected from any gas supply, disconnected from any electrical supply and batteries and removed from any installation cavity.

Tools required

- 1). Torx T20 Screw Driver Bit
- 2). 3/8" Socket Driver
- 3). 5/32" Allen Key
- 4). Needle Nose Pliers or Small Flat Head Screw Driver

Parts included

- 1). Propane burner orifice
- 2). Propane pilot orifice
- 3). Propane valve control (with mounting screws)
- 4). Valve conversion label
- 5). Conversion plate label
- 6). Conversion technician identifying label

FOR NATURAL GAS BURNER REPLACEMENT, VENTURI SETTING IS 5/32.

For input rating, manifold pressure and orifice size, refer to sample rating plate

1. Shut off gas supply. Follow Burner tray removal instructions. Continue with the Propane Conversion instructions.

WARNING

This conversion kit shall be installed by a qualified gas fitter in accordance with the manufacturer's instructions and all applicable codes and requirements of the authority having jurisdiction. If the information in these instructions is not followed exactly, a fire, explosion or production of carbon monoxide may result causing property damage, personal injury or loss of life. The qualified service agency is responsible for the proper installation of this kit. The installation is not proper and complete until the operation of the converted appliance is checked as specified in the manufacturer's instructions supplied with the kit.

CAUTION

The gas supply shall be shut off prior to disconnecting the electrical power, before proceeding with the conversion.

2. Loosen the 4 screws securing the burner strip to the stands.

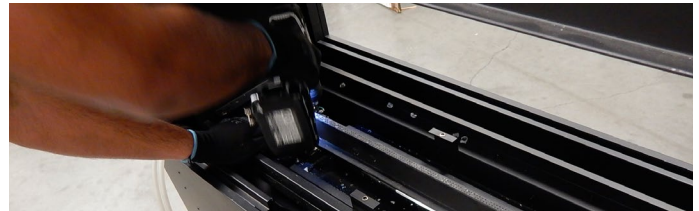


Figure 13. Removal of burner strip

3. Loosen the a screw holding the venturi opening. Slide the venturi cover over so the opening is at the maximum width. Re-tighten screw.

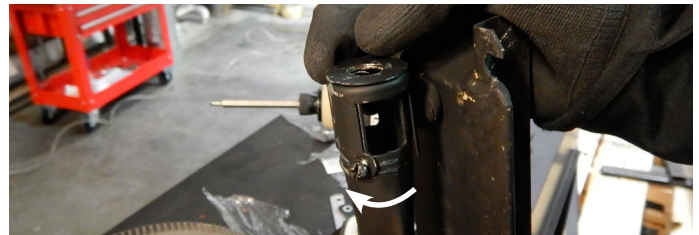


Figure 13.b Loosening the venturi

4. Use 3/8" Socket Driver to loosen off the NG gas orifice, replace with Propane orifice as included in package. (46DMS for D*****LI-2, 49DMS for DL*****LI-2)

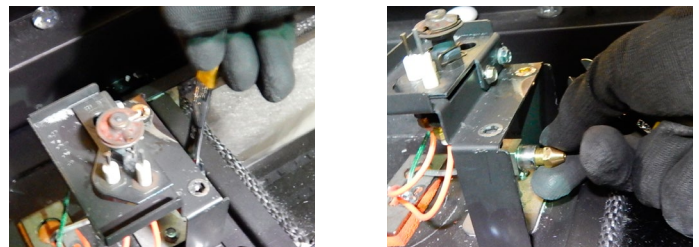


Figure 13.c Removing the orifice

5. Use screwdriver to carefully detach spring clip from the pilot hood. (Spring clip will be reused)



Figure 13.d Removing the spring clip

6. Remove pilot hood, then use allen key to remove pilot orifice.

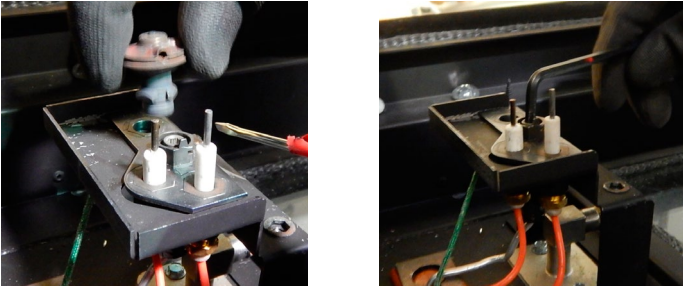


Figure 13.e Removing the pilot hood, orifice

7. Insert Propane pilot orifice. Reassemble burner assembly.

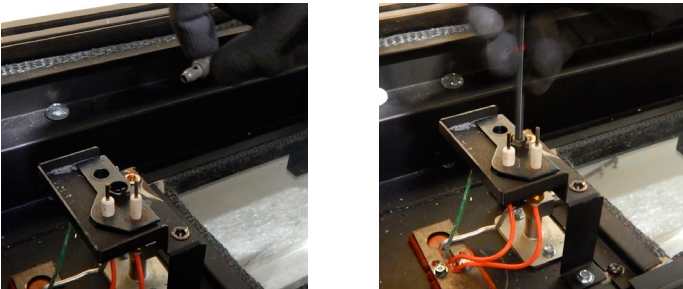


Figure 13.f Insert propane orifice, reassemble burner

8. The pilot size can be adjusted using a flathead screwdriver to adjust "pilADJ" screw shown

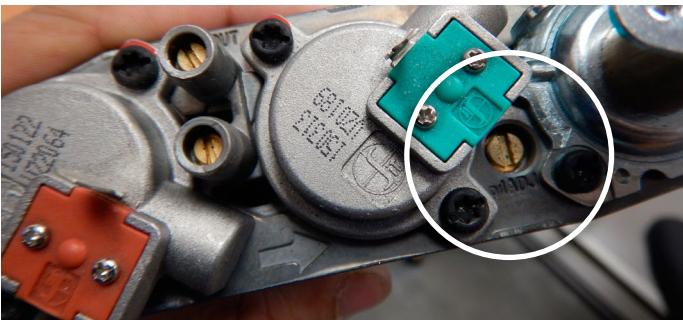


Figure 13.g Adjust pilot size

9. The manifold and inlet pressure can be verified by using a manometer and a 1/8" rubber hose attached to the valve ports shown here (top is manifold, bottom is inlet)

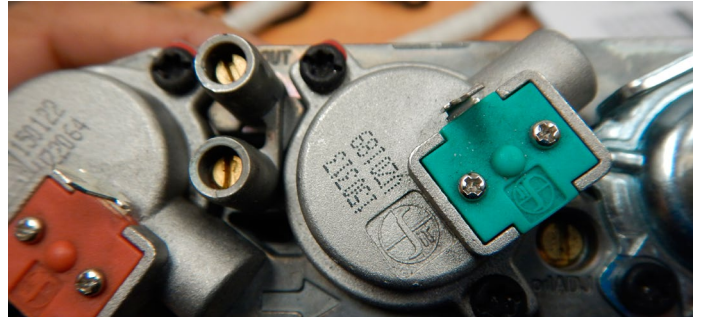


Figure 13.h Adjust pressure ports

10. Use a soap-based leak testing solution on the valve regulator while the unit is operating to check for any leaks

11. Fill out required information on Propane conversion gas fitter sign off label, attach to reverse side of rating plate. Attach Rating plate conversion label to rating plate label. Place Valve conversion label on valve face.

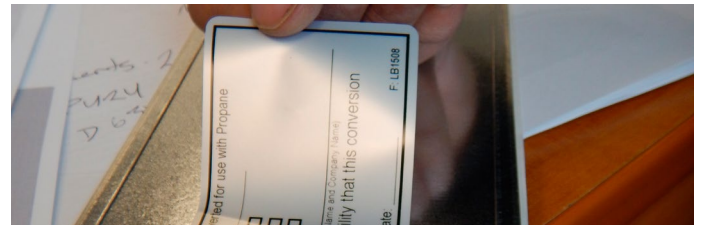


Figure 13.i Label reverse rating plate

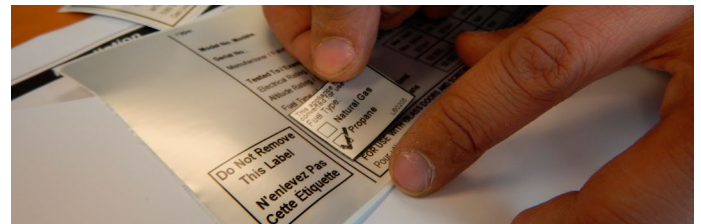


Figure 13.j Conversion label on rating plate label



Figure 13.k Conversion label on valve

Section 4: Wiring

Distinction (N/L) I-2 Wiring Diagram

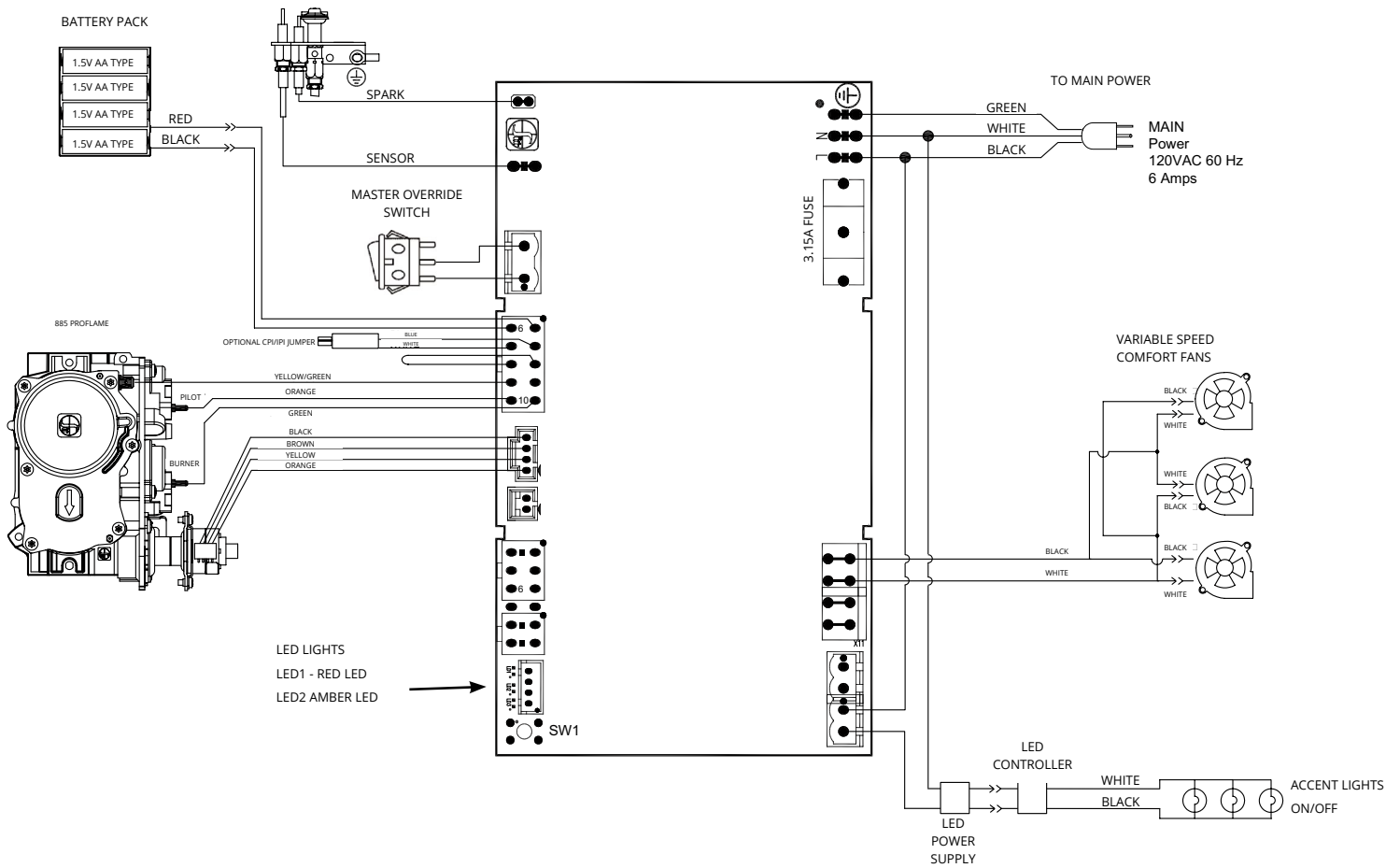


Figure 14. D7215 (N/L) I-2 Wiring Diagram

Installation of Electrical Supply

Installations in Canada must be electrically grounded in accordance with CSA C22.1 Canadian Electrical Code Part 1 and/or Local Codes.

Installations in the USA must be grounded in accordance with local codes or, in the absence of local codes, with the National Electrical Code, ANSI/NFPA 70.

NOTE: If any of the original wire supplied with the appliance is replaced, it must be replaced with the same type, or its equivalent.

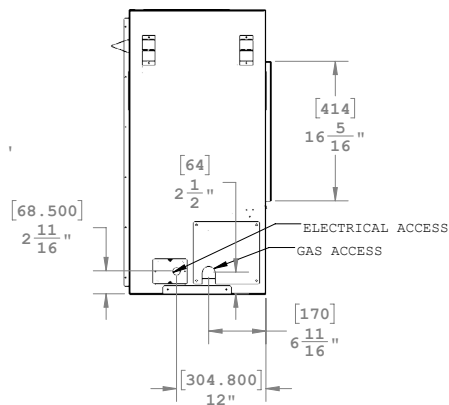


Figure 14.b Electrical Supply location on Single Sided unit

CPI [Continuous Pilot Ignition] / IPI [Intermittent Pilot Ignition] Jumper Cable Installation

“Why use CPI mode”?

There are several reasons why you may choose to use CPI mode. When a flue is cold it can be difficult to light the appliance. It can take a bit of time (particularly on tall vents) to initialize vent action. This can result in “lifting” or “ghosting” of the flames during the first two to three minutes of operation. It is also possible to encounter times when the fireplace fails to light successfully. The fireplace will then attempt to re-light a second or third time depending on prevailing temperatures or altitude. When in CPI mode the pilot also keeps the system warm. During a “cold” start, condensation will normally form on the inner glass surface of the door. This condensation will quickly dry, however, the condensation tends to run down the glass and cause some streaking. CPI mode helps to minimize this issue. If CPI mode is used during the winter months the energy it takes to run the pilot is partially recovered as heat into the building, so it does not waste as much energy as running a pilot in the off season.

A connector is supplied with this unit that can be plugged into the wire harness connected to the controller. This Jumper Cable gives the Remote Control the ability to operate the CPI / IPI switch and set the unit to operate in either condition. CPI means “Continuous Pilot Ignition” or “Standing Pilot” as it is commonly known. IPI means “Intermittent Pilot Ignition”, which only initializes the pilot when you are going to be using the appliance.

The difference between IPI and CPI:

IPI (Intermittent Pilot Ignition) Mode: is a fuel saving mode in which the pilot is only used when the main burner is on.

CPI (Continuous Pilot Ignition) Mode: The pilot runs continuously even when the main burner is off.

Installing the CPI Jumper Cable

- 1). Open the control box drawer.



Figure 16. Open the control box drawer

- 2). Remove the bag containing the Jumper Cable from the wire harness connected to the controller.

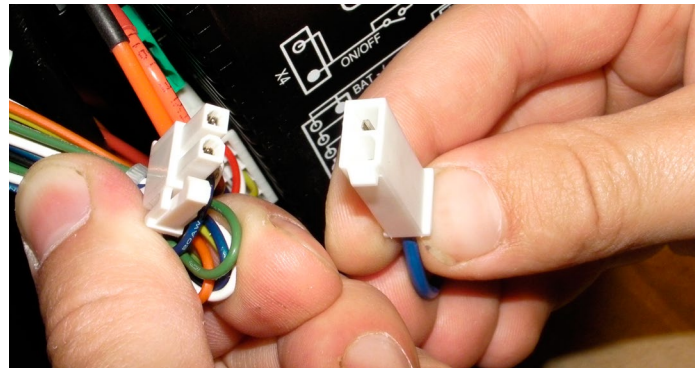


Figure 16.b Locate Jumper cable

- 3). Find the corresponding plug attached to the control wire harness and connect the CPI jumper.

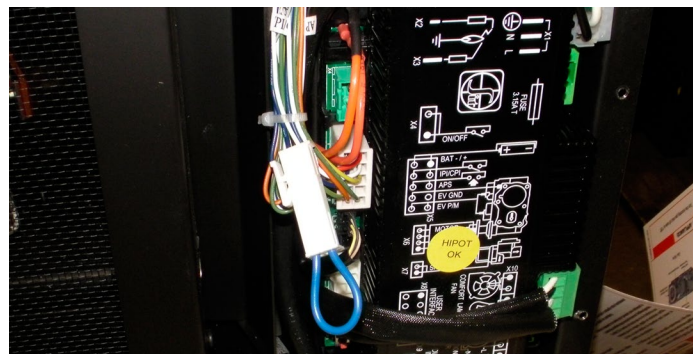


Figure 16.c Connect CPI

- 4). See operation section to turn remote into CPI mode.

Section 5: Installing the gas line

Fuel Type

Verify that your fireplace is compatible with your available gas type. Natural Gas or Propane shown by "N" or "L" in your model number on rating plate. See instructions on converting to propane.

Gas Pressure

Optimum appliance performance requires proper input pressures. Gas line sizing requirements will be determined in ANSI Z221.3 National Fuel Gas Code in the USA and CAN/CGA B149 in Canada.

Pressure requirements (during operation):

Distinction Pressure Requirements		
Model	Minimum	Maximum
D7215NI D7215STNI	5.5" W.C. 0.2 PSIG	13.8" W.C. 0.5 PSIG
D7215LI D7215STLI	11" W.C. 0.4 PSIG	13.8" W.C. 0.5 PSIG

Figure 17. D7215 Pressure Requirements

The manifold outlet pressure is set from the factory to the appropriate pressure but should be verified.

To check pressures, use a manometer and a 1/8" rubber hose attached to the inlet or manifold valve ports.

Only install gas shut-off valves approved for use by the state, province, or other governing body in which the fireplace is being installed.

⚠ DANGER

After gas line is connected, each appliance connection, valve and valve train **MUST** be checked while under normal operating pressure with either a Liquid Solution, or Leak Detection Device, to locate any source of leak. Tighten any areas where bubbling appears or a leak is detected until bubbling stops completely or leak is no longer detected. **DO NOT** use a flame of any kind to test for leaks. A fire or explosion will occur, causing serious injury, property damage or death.

NOTICE

When pressure testing the fireplace, Gas line, and input system follow the appropriate local codes for your area. **DO NOT** connect the fireplace to pressures in excess of 1/2 lb. This will damage the gas control valve.

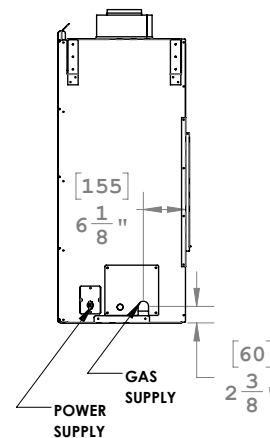


Figure 18. Gas Inlet Supply location (Single Sided)

Gas Connection

Flexible gas connectors must not exceed 3 feet in length, unless allowable within local regulations.

Connect incoming gas line to the 1/2" Male NPT gas inlet.

Purge all air out of gas line before connecting port.

Check appliance connection, valve and valve train under normal operating pressure with a commercially available leak check solution.

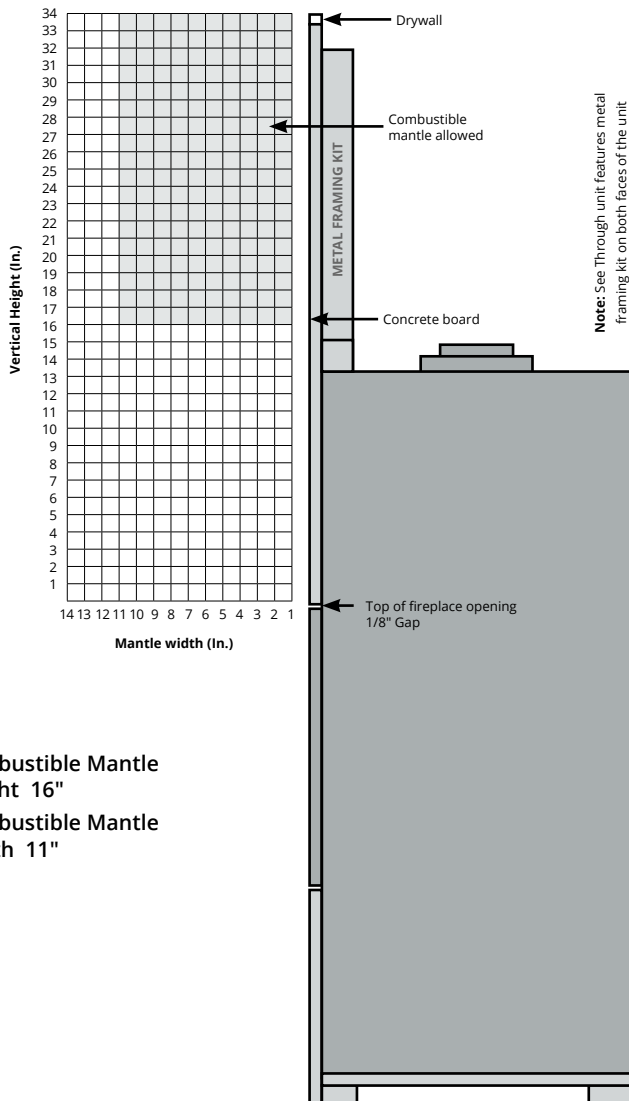
DO NOT USE A FLAME OF ANY KIND TO TEST FOR LEAKS.

Mantels & Surrounds

NOTE: National Canadian Gas Association mantel test requirements are for fire hazard prevention to combustible materials.

Please be aware; temperatures over the mantel will rise above normal room temperature and walls above fireplace may be hot to touch.

We recommend careful consideration be given to the effects of elevated mantel temperatures which may be in excess of product design, for example: candles, plastic or pictures. This can cause melting, deformation, discoloration or premature failure of T.V. and radio components.



Note: See Through unit features metal framing kit on both faces of the unit

Combustible Mantle
Height 16"
Combustible Mantle
Depth 11"

Figure 19. Combustible mantels and facings. (Not to scale)

Finishing Around the Fireplace

Non-combustible mantels and mouldings may be safely installed over the top and on the front of the fireplace provided that they do not extend past the fireplace opening at all, because it will interfere with the access to retainers for removal of glass door.

The front face of the fireplace can be painted provided a high temperature heat resistant paint is used.

Sidewall clearances

Side wall clearances are 6". Combustible surrounds may be installed with 6" clearance to the side of the fireplace as shown.

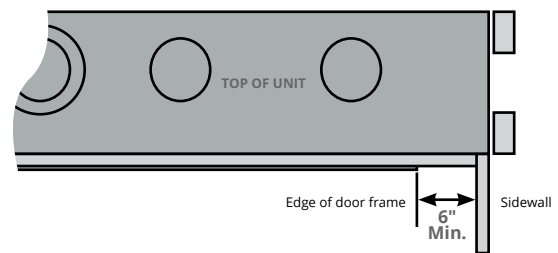


Figure 19.c Sidewall clearances

NOTICE

6" clearance in sidewall drawing does not apply to recession, unit cannot be recessed into a wall.

Section 8: Removing & Installing the Screen / Door

Removing the Screen

Follow the steps below to remove, or install the fireplace screen and door. Before beginning any screen or glass removal, make sure that the unit has not been in operation and that it is at room temperature.

Step 1: Locate the three tabs at the base of the screen.



Figure 20. Locate the three tabs at the base of the screen

Step 2: Lift out the Retaining Tabs and screen.

Pull the bottom of the screen outward, then slide out the screen from the frame.

Store in a safe place. The Screen is very fragile and can be easily torn, dented or deformed. Refer to Figure 20.b below.

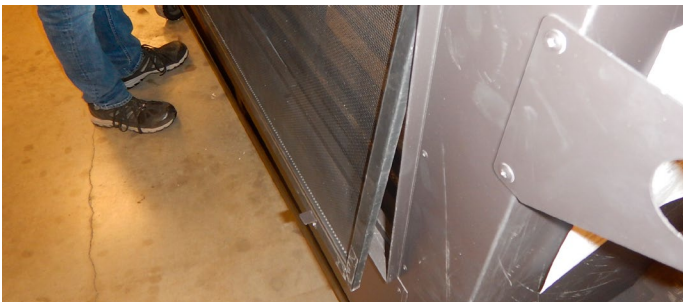


Figure 20.b Lift out the Retaining Tabs and screen

Reinstalling the Screen

Follow the two previous steps to re-install the fireplace window.

NOTICE

Any safety screen, guard, or barrier removed for servicing an appliance, must be replaced prior to operating the appliance

Removing the door

The Distinction doors are removed in a few simple steps. Follow these steps below to unlatch the door buckles and remove the door.

STEP 1:

Remove lower valve blinds and screen setting bar.

STEP 2:

Ensure the tool is firmly in the lower end of the slot, (as shown), Then pull toward you, door will unlatch, repeat for other buckles.



Figure 21.d Pull door latches

STEP 3:

With glass lifting tool, pull the top of the door towards you, then lift the door up and out of the fireplace frame.

Store in a safe place.

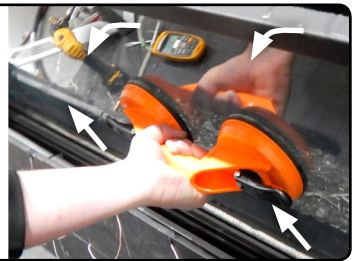


Figure 21.e Lift the door

Reinstalling the door

NOTE: Make sure the top and base of the door slips into the narrow channel in the frame to ensure proper placement.

STEP 1:

The upper frame of the door is pushed into the top channel before the bottom is pushed into place.



Figure 21.b Installing the door

STEP 2:

Buckles are locked into place by pulling out and up, latch will pop into place.



Figure 21.d Pull door latches

Section 9: Installing the Media

The unit is supplied with fireglass. To install the fireglass remove the door as shown in the previous section. Follow these instructions to ensure all parts are removed or replaced as required. Once the screen and glass door is removed, place the firestones evenly on the media tray as shown in Figures 22 and 22a.

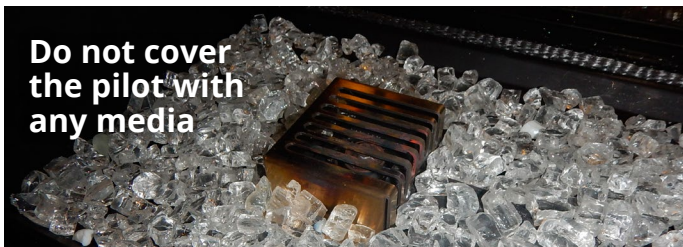


Figure 22. Do not cover the pilot with any media

Firestone & Fireglass Quantity

Firestone & Fireglass Quantity		
Unit	Bags Needed	Lbs
D3615	2	6
D4815	3	9
D7215	4	12

Optional speckled stones

Speckled stone quantity		
Unit	Stones needed	Order code
D3615	150	RR150SS
D4815	150	RR150SS
D7215	450	RR450SS

Optional Driftwood Logset

The Fireplace has the option of installing a drift wood log set. Once the base media of fireglass, firestones, or speckled stones has been placed the log set can be installed. Ensure logs are securely placed and will not tip or fall.

Log Kit Installation

Log kits used to create D7215 Single Sided: 1 LGS58, 1 LGS59, 1 LGS57

Log kits used to create D7215 See-Through: 1 LGS58, 1 LGS59



Figure 23. LGS59

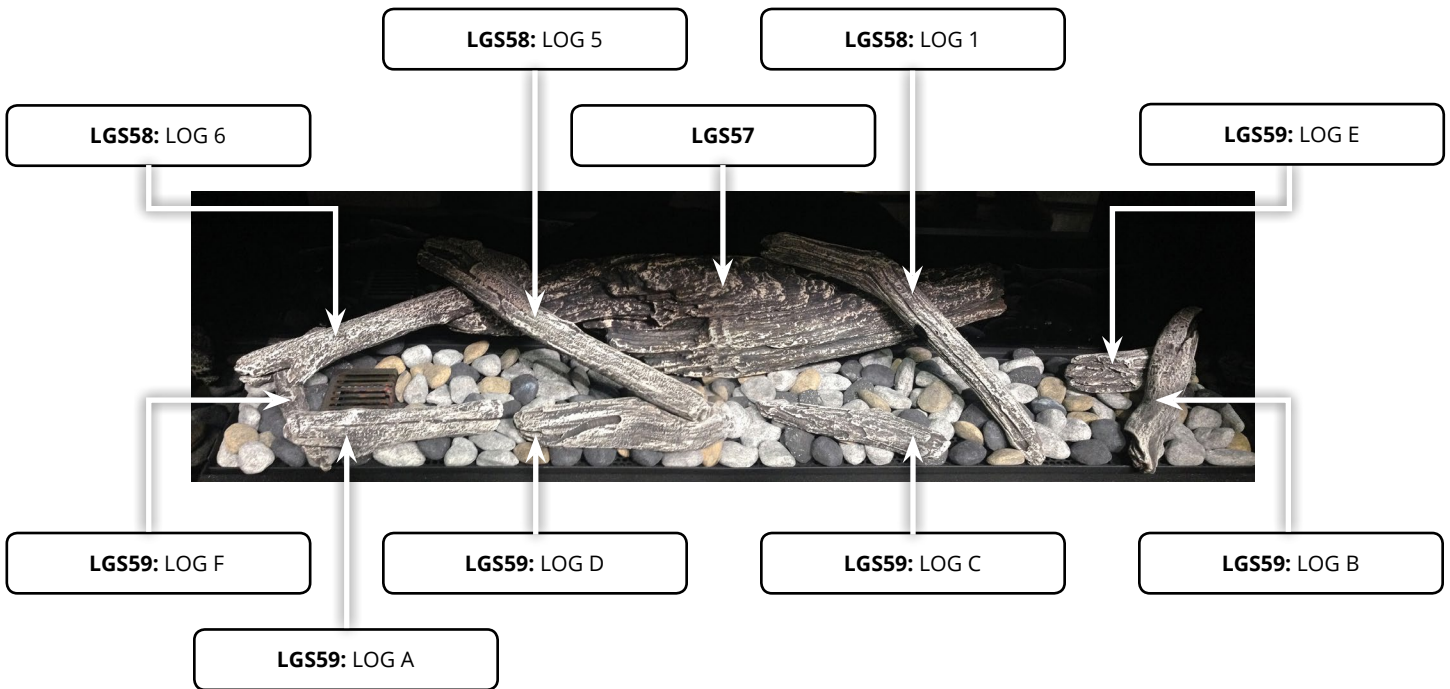


Figure 23.e LGS58

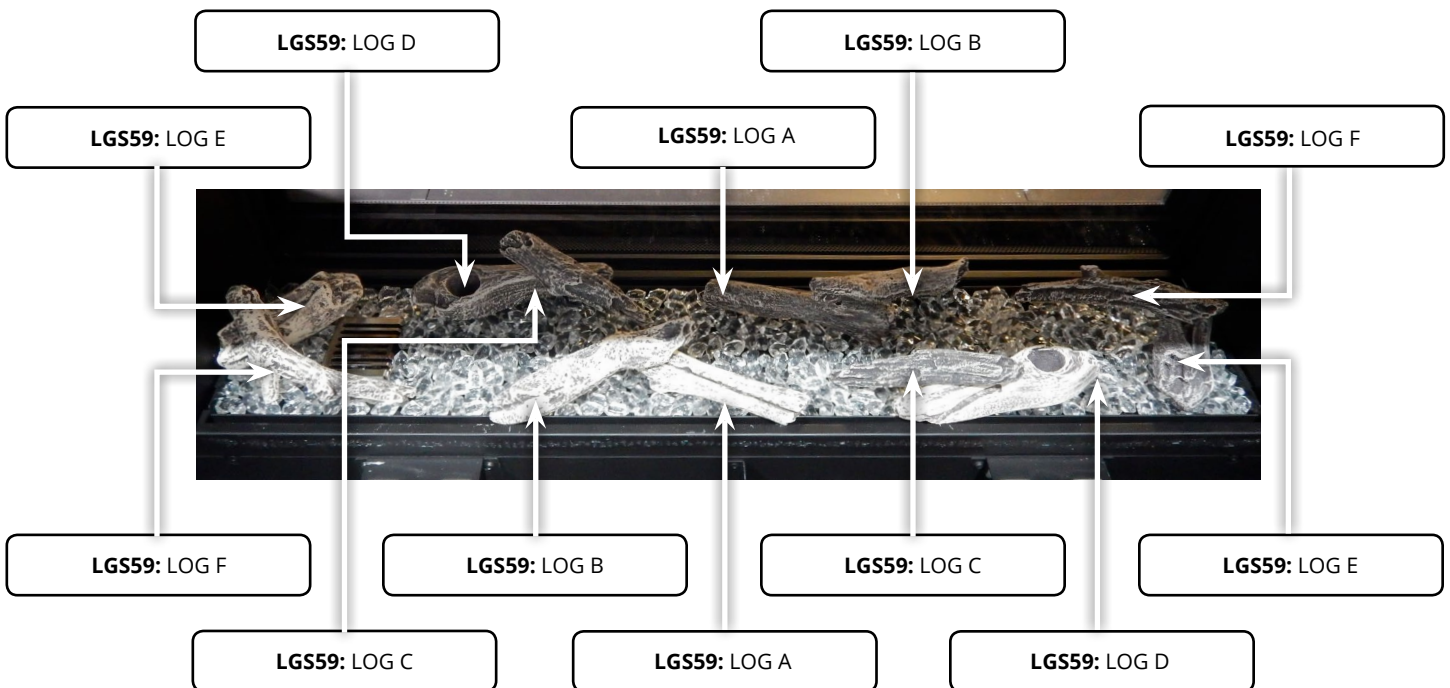


Figure 12. LGS57

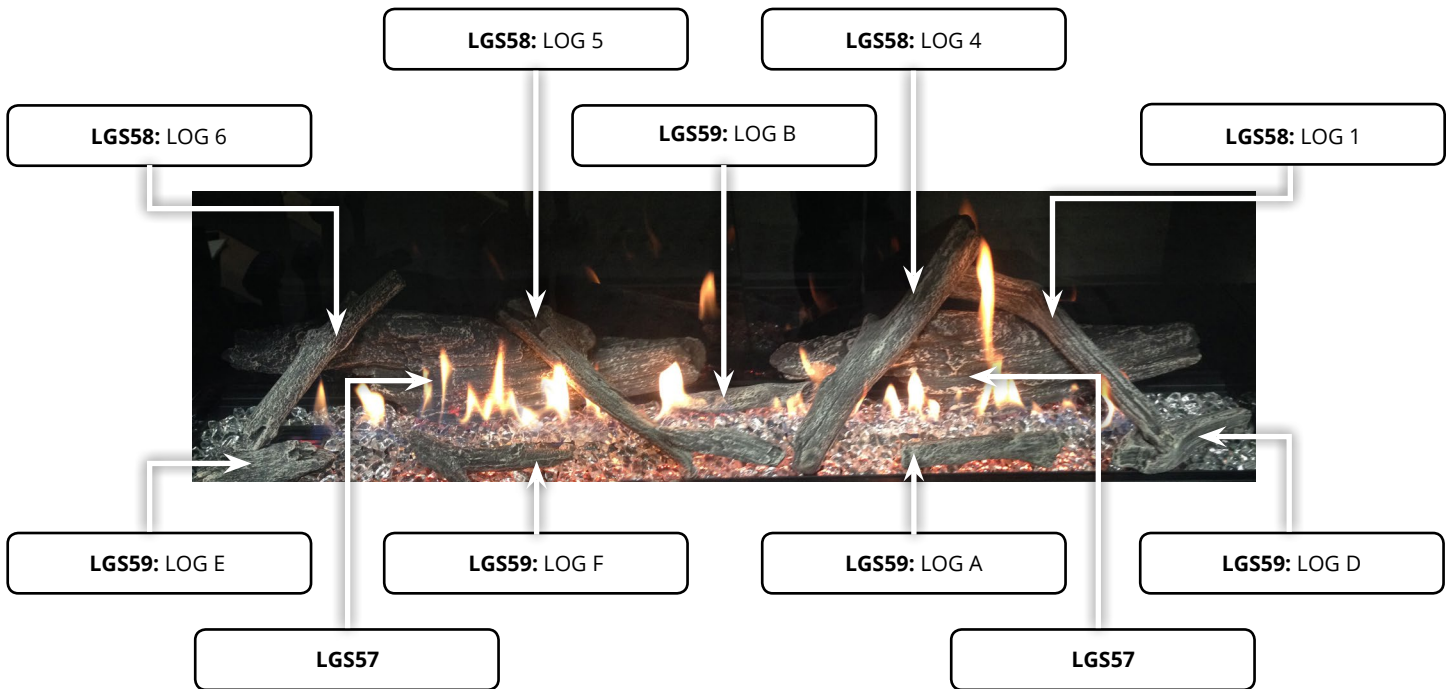
D3615 Single Sided Driftwood Kit



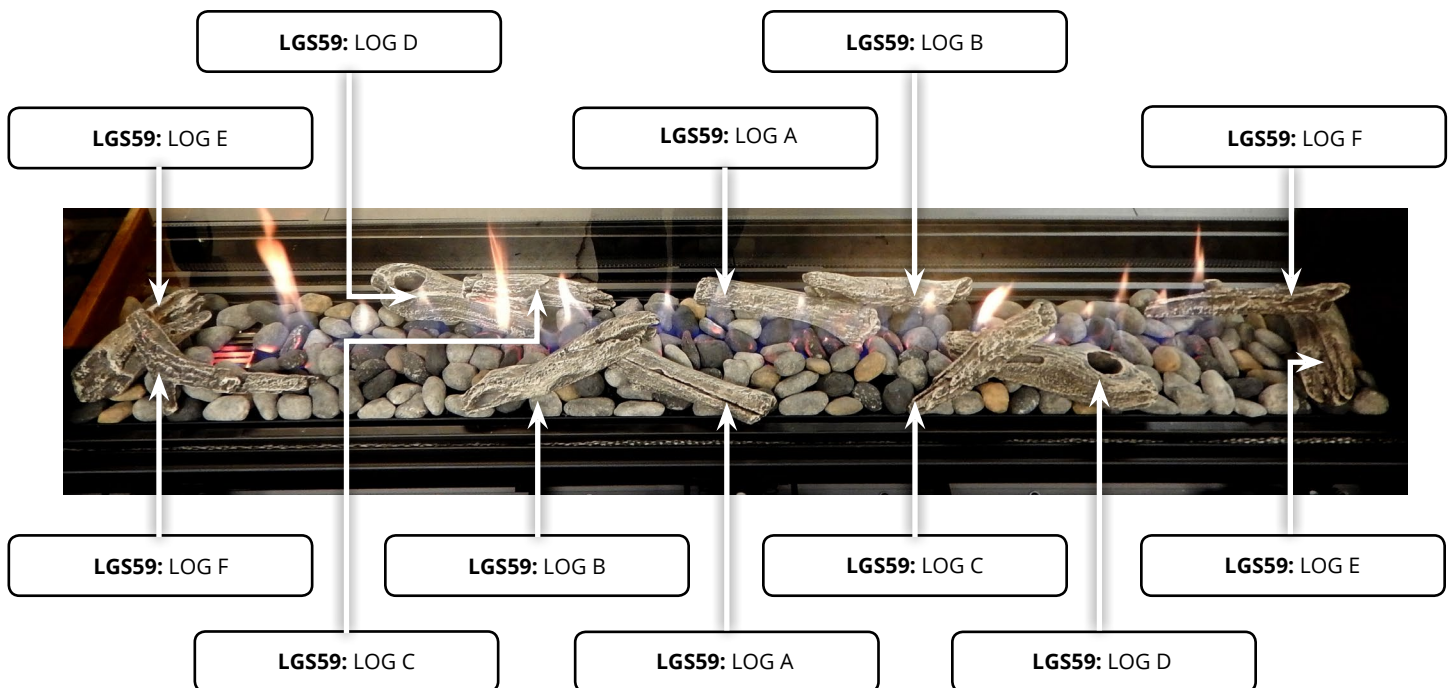
D3615ST See Through Driftwood Kit



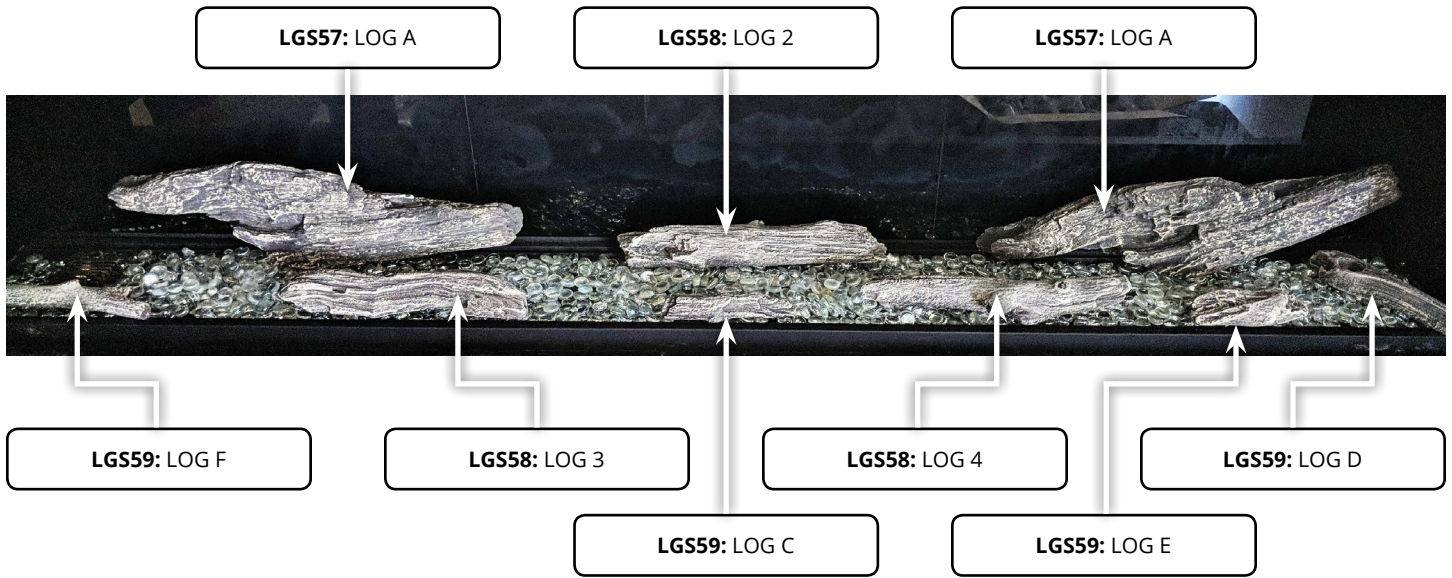
D4815 Single Sided Driftwood Kit



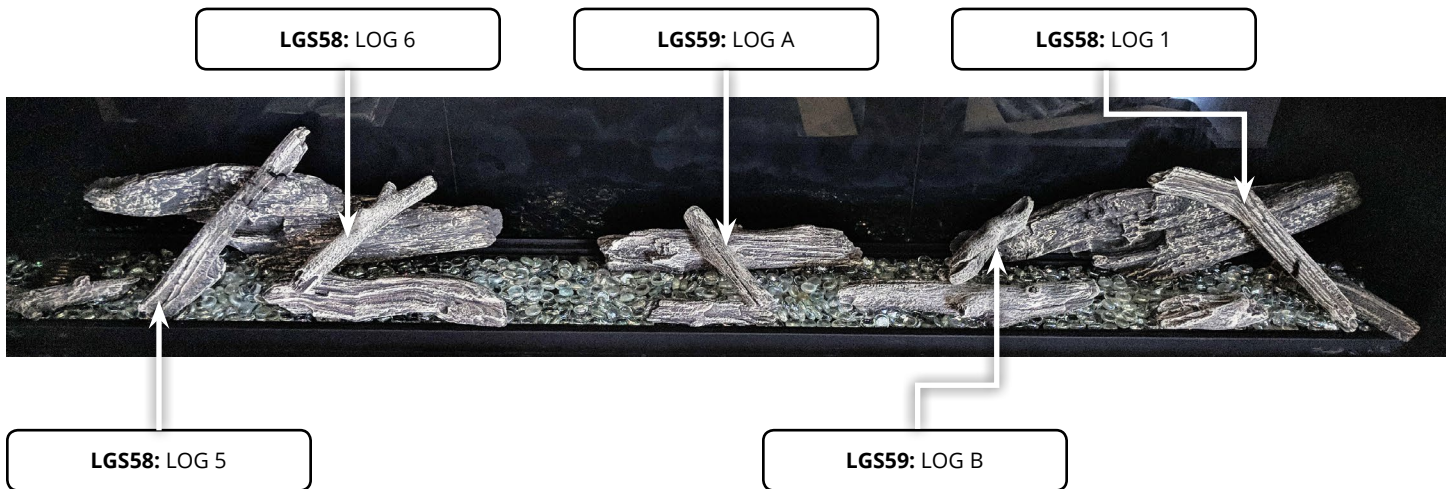
D4815ST See Through Driftwood Kit

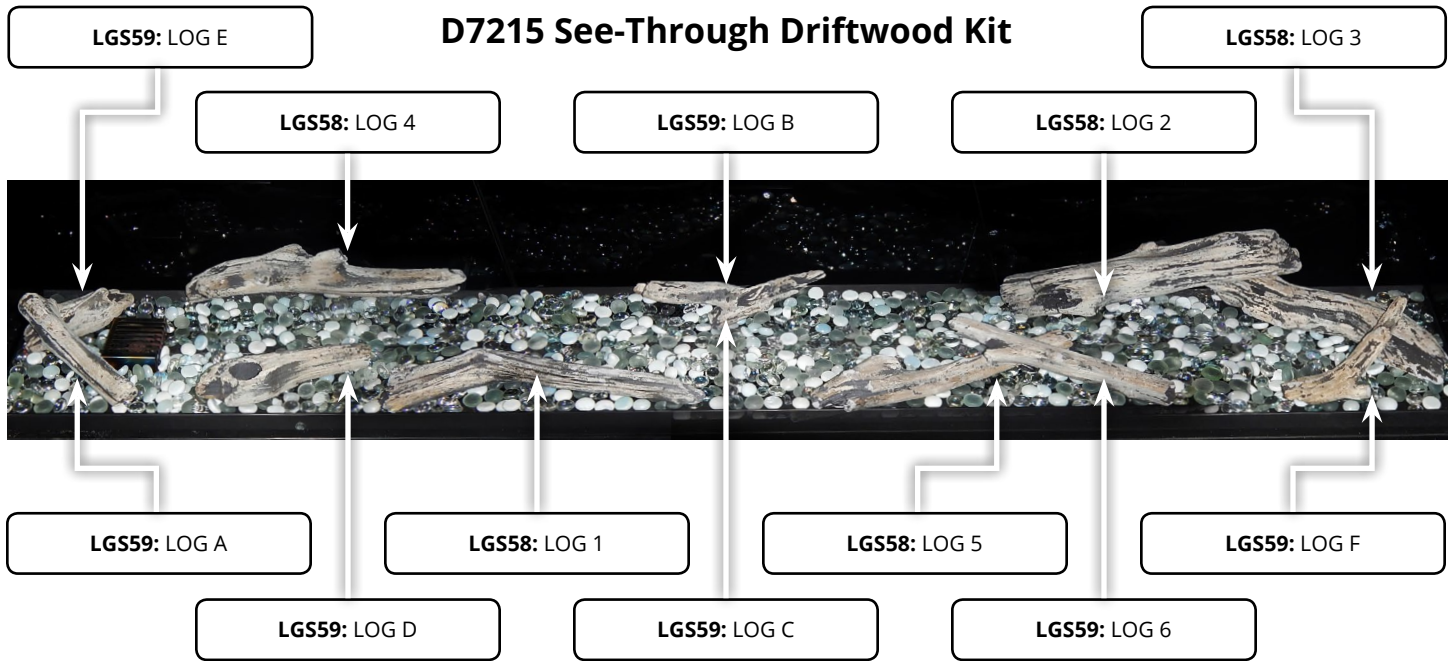


D7215 Single Sided Driftwood Kit Step 1



D7215 Single Sided Driftwood Kit Step 2





Control Board upgrade/replace

Adding options to DL units requires control board upgrades for the following options

Fan Kit DFK-3
LED Kit MCLEDDL**
Remote Control
Stepper Motor
Powervents

When upgrading the Distinction control board, the board will be shipped with the board installed in the drawer and with the appropriate cables installed.

1. Remove existing basic board drawer by unplugging all existing connections.

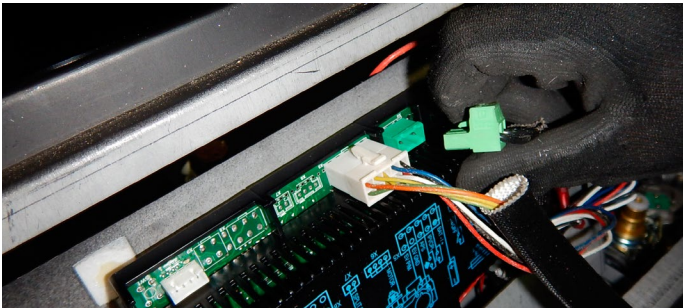
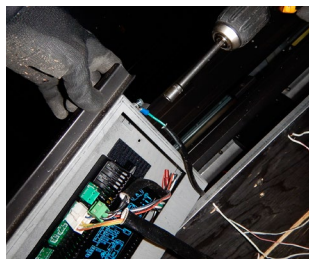


Figure 24. Remove existing basic board

2. Unplug PPO from board located underneath the pilot assembly. Disconnect the ground and remove drawer completely.



Figure 24.b Remove existing basic board



3. Discard old drawer and wall switch and valve wires.

4. New Board.

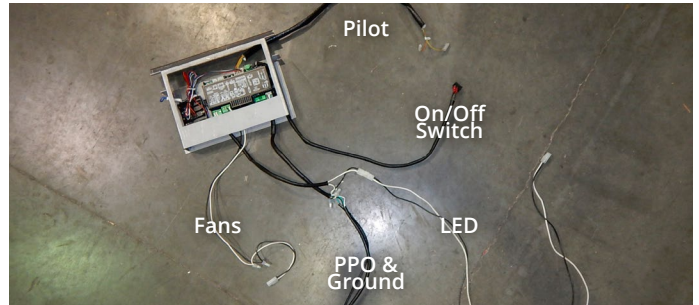


Figure 24.c Proflame2 Board

Distinction (N/L) I-2 Wiring Diagram

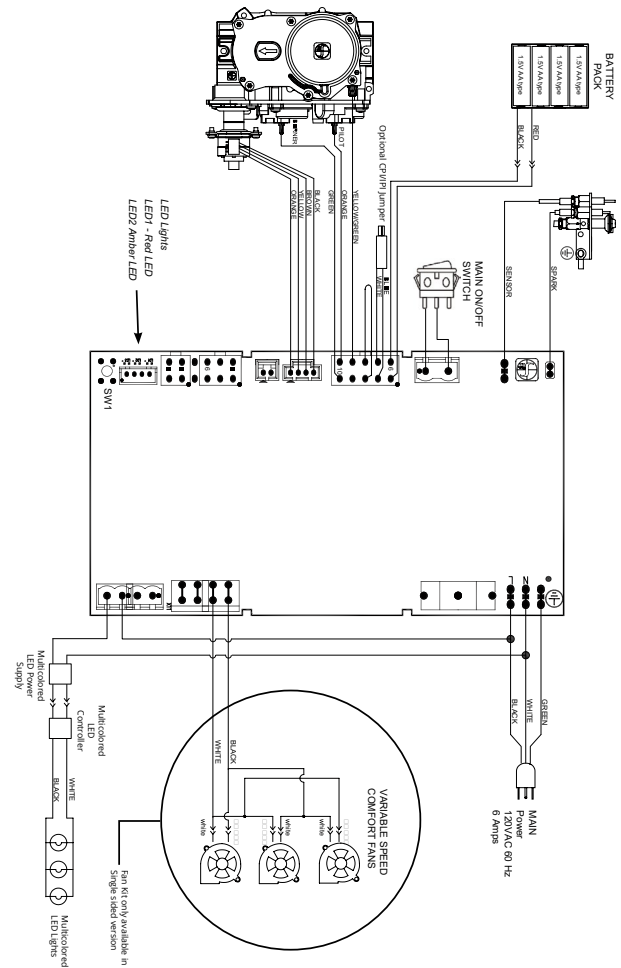


Figure 24.d Distinction (N/L) I-2 Wiring Diagram

5. Feed On/Off switch through drawer frame



Figure 24.e On/Off switch through drawer

6. Feed Fan, LED, PPO, and pilot wires through drawer frame.

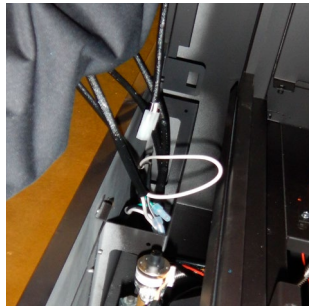
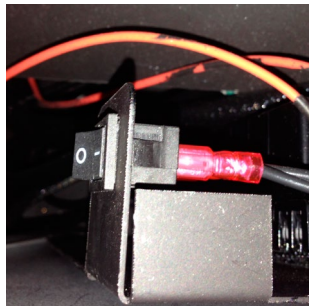


Figure 24.f Fan, LED, PPO, and pilot wires through drawer

7. Disconnect On/Off switch and feed cable through drawer frame. Install in space on board drawer.



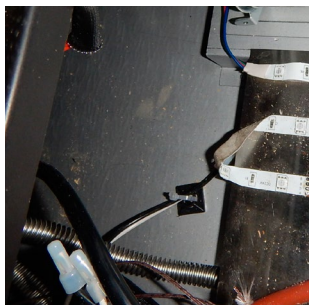
Figure 24.g On/Off switch



8. Place Fan wire on leftside firebox floor with adhesive wire pad. For fan Install instructions see Optional fan kit Install/Replace instructions



Figure 24.h Fan wire



9. Place on LED wire on rightside firebox floor with adhesive wire pad. For LED Install instructions see Optional LED kit Install/Replace instructions

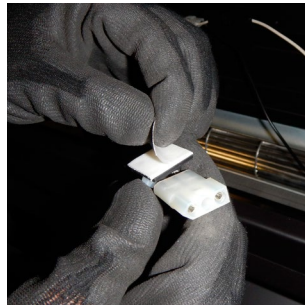
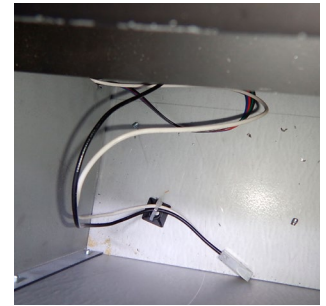


Figure 24.i LED wire



10. Loop Pilot wires from behind control board drawer to the front. Plug into X2 and X3

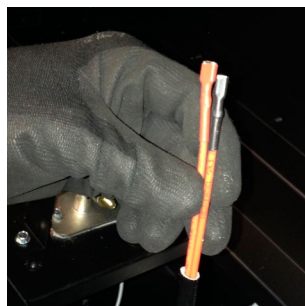


Figure 24.j Pilot wires



11. Valve wires are plugged into the valve in the Green, Red, and yellow ports respectively.



Figure 24.k Valve wires



LED Strip Installation

LED Strip Instructions

Power to the unit MUST be disconnected before installing

For instructions on how to remove the door please see the door install/removal section.

For instructions on how to remove the burner tray please see the burner tray section.

1. Secure LED receiver and AC adaptor to the bottom inside face of the firebox with Velcro strips.

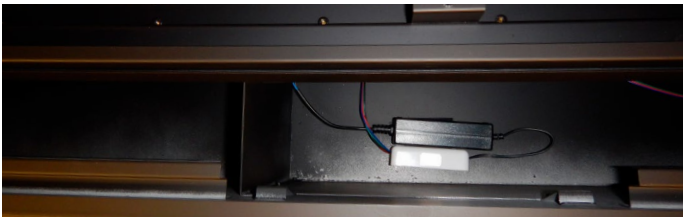


Figure 25.a. Secure LED receiver

2. Insert and secure LED plate.

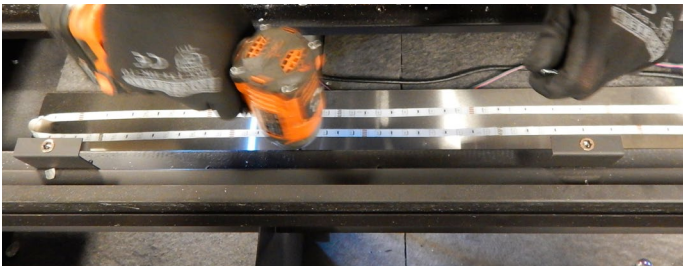


Figure 25.b. Secure LED plate

3. Connect LED strip to LED receiver, and power to AC adaptor.

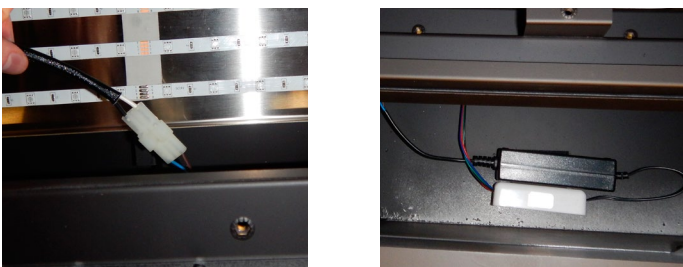


Figure 25.c. Power LED receiver

4. Place Glass plate where metal plate sat before, secure using existing metal brackets. Screw in halfway on one side first, then fully on the other side, then fully tighten first side.

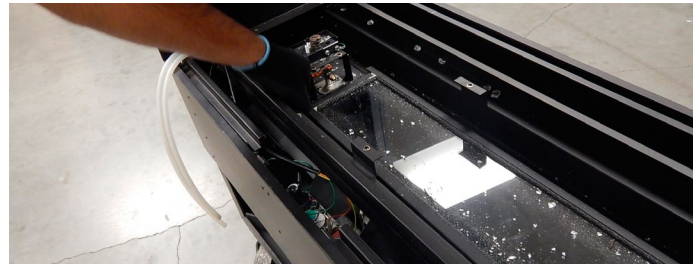


Figure 25.d. Insert glass plate

5. Reinstall burner strip.



Figure 25.e. Insert burner

6. Reinstall media tray.



Figure 25.f. Insert media tray

7. Reinstall pilot cover and door/screen.



Figure 25.g. Insert pilot cover/door/screen

Glass Reflective panel Installation

Before you begin

Always ensure the kit part number is correct for the fireplace model and all kit contents are included. The model number may be found on the rating plate under the valve blind of the fireplace.

Single Sided Kit Contents:

- Side panels
- Rear Panel(s)
- Panel retainer clips (qty: 2)
- 2 Black Screws

See Through Kit Contents:

- Side panels
- Panel retainer clips (qty: 2)
- 2 Black Screws

Tools Required:

- Drill / Driver
- 1/4" hex bit

Tools Required:

- Drill / Driver
- 1/4" hex bit

Installation

Step 1: Slide back panel(s) into top track, carefully push the base of the panel onto the lower ledge.

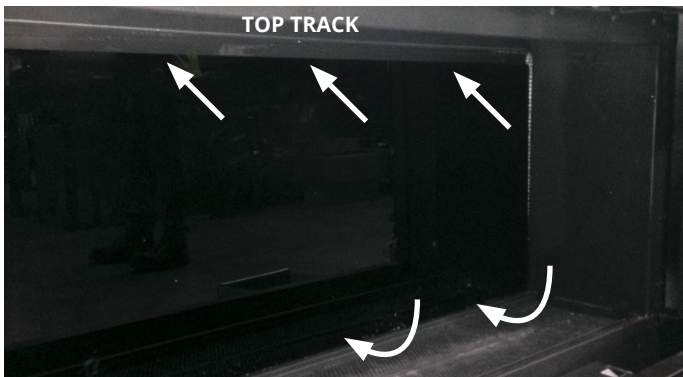


Figure 26. Remove the existing screws

Step 2: Side panels are slid into the lower track and set into place using the provided bracket and screws. Use 1/4" hex bit



Figure 26.c Secure panel

Stepper motor install/replace

Verify that the following items are present in the package.

- Pressure regulator assembly (E)
- Two (2) screws (F)
- Identification label (G)
- Installation instructions

- 1 Shut off the gas supply to the valve and shut down the electric supply
- 2 Using a Torx T20, or slotted screwdriver, remove and discard the two (2) pressure regulator mounting screws (A), pressure regulator tower (B), and the spring and diaphragm assembly (C), (If applicable).
- 3 Access gas valve by removing the valve blind
- 4 Ensure the rubber gasket (D), which is prefitted as part of assembly (E), is properly positioned, otherwise fit the gasket as shown.
- 5 Install the new STEPPER MOTOR pressure regulator assembly, as shown in Fig. 3 and Fig. 4. Use the supplied screws (F)
- 6 Manually thread the two conversion kit mounting screws into the valve body. Use a standard screwdriver or T20 Torx bit and tighten to the screws with a fixing torque of 251b-in \pm 5%.

IN THE EVENT THAT THE THREADS OF THE VALVE ARE STRIPPED OR DAMAGED, REPLACE THE VALVE.

- 7 Install the enclosed identification label (G) to the valve body where it can be easily seen.
- 8 Make STEPPER MOTOR and valve electrical connections, apply gas to system and relight appliance according to manufacturers instructions.
- 9 With the main burner "ON", test the new pressure regulator assembly for leaks using a soap solution.
- 9 Relight the main burner and verify proper burner ignition and operation

WARNING!

Do not use power drill.

WARNING!

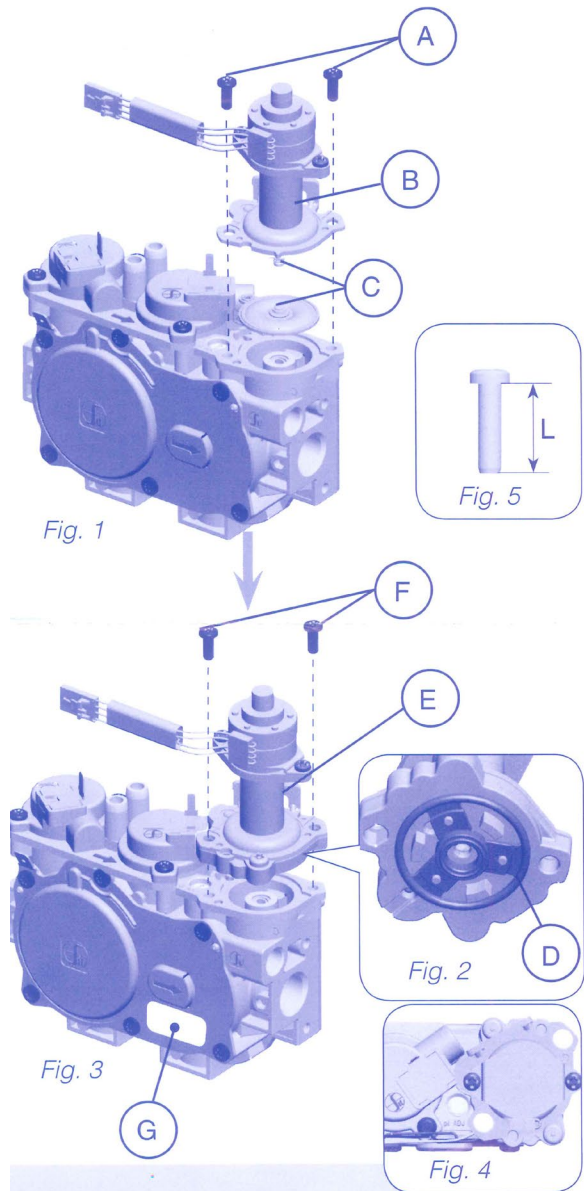
Installation should be carried out in a clean environment.

WARNING!

This modulating conversion kit must ONLY be applied as part of a conversion kit supplied by montigo for the specific appliance, and type of fuel, being converted.

WARNING!

Correct operation of the system cannot be guaranteed if the conversion kit or valve has been dropped or has sustained a strong impact.



Fan kit Install/Replace

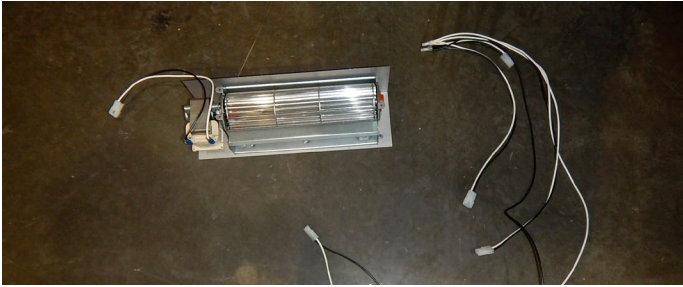


Figure 27. Fan kit

Before you begin

This kit requires a Proflame 2 control board. For burner and media tray removal instructions please see burner tray removal instructions.

⚠ CAUTION

Ensure that all power to the appliance is off at the electrical breaker or fuse before beginning installation. Ensure gas is turned off at the shutoff valve before beginning installation.

1. Remove the plastic covering from the 4 velcro strips on the fans.



Figure 27.b prepare velcro strips

2. Starting with the left side, secure the fans in the bottom of the firebox flush against the bottom and back as shown.

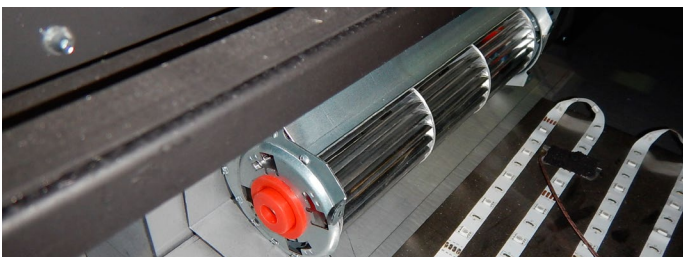


Figure 27.c secure the fans

3. Repeat for two remaining fans, making sure connectors are on the right side.

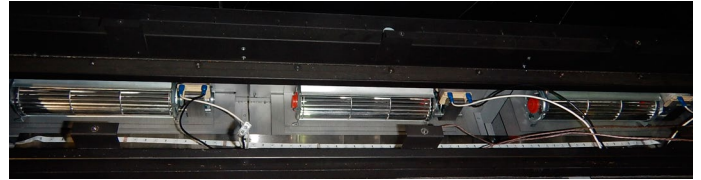


Figure 27.d secure the fans

4. Locate fan wiring harness.



Figure 27.e Locate fan wiring harness

5. Connect control board connector (located fastened on the bottom leftside of the firebox) to fan harness.

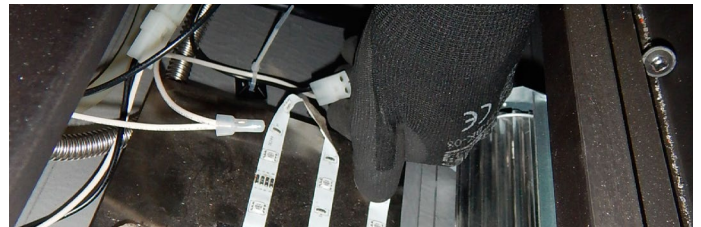


Figure 27.f Connect control board connector

6. Connect fans to harness connectors, tuck wires away from LED strip.

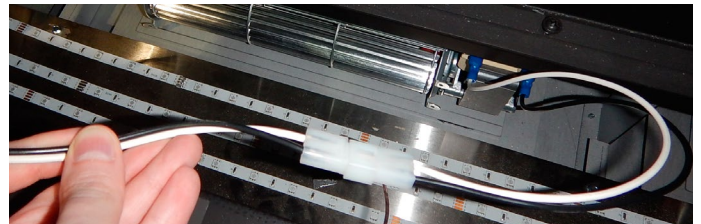




Figure 27.g Connect fans to harness connectors

FOR YOUR SAFETY - READ BEFORE LIGHTING:


DANGER



HOT GLASS WILL CAUSE BURNS.

DO NOT TOUCH GLASS UNTIL COOLED.

NEVER ALLOW CHILDREN TO TOUCH GLASS.

A barrier designed to reduce the risk of burns from the hot viewing glass is provided with this appliance and shall be installed for the protection of children and other at-risk individuals.

WARNING: If the information in these instructions is not followed exactly, a fire or explosion may result causing property damage, personal injury or death.

WARNING/ CAUTION: Hot while in operation. Do not touch. Severe burns may result. Keep children, clothing, furniture, gasoline and other liquids having flammable vapours away.

See installation and operating instructions accompanying this appliance for more information.

A. This appliance is equipped with an ignition system that lights the pilot burner automatically. **Do not attempt to light the pilot by hand.**

B. BEFORE LIGHTING smell all around the appliance area for gas. Be sure to smell next to the floor because some gas is heavier than air and will settle on the floor.

What To Do If You Smell Gas:

- Do not try to light any appliance.
- Do not touch any electrical switch; do not use any phone in your building.

- Immediately call your gas supplier from a neighbour's phone. Follow the gas supplier's instructions.

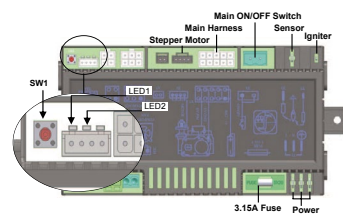
- If you cannot reach your gas supplier, call the Fire Department.

C. Use only your hand to operate gas control. Never use tools. If the control does not function, don't try to repair it, call a qualified service technician. Force or attempt to repair may result in a fire or explosion.

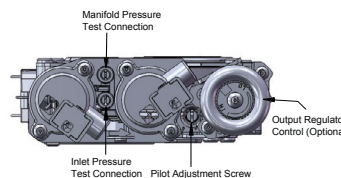
D. Do not use this appliance if any part has been under water. Immediately call a qualified service technician to inspect the appliance and to replace any part of the control system, and any gas control which has been under water.

LIGHTING INSTRUCTIONS:

1. **STOP!** Read the safety information above on this label.
2. Turn "ON" manual "ON/OFF" switch. (If available)
3. Turn Incoming gas shut off valve to the "ON" position.
4. Wait 5 minutes to clear out any gas. If you smell gas, **STOP!** Follow "B" in the safety information above on this label. If you don't smell gas, go to the next step.
5. Turn fireplace "ON" using wall switch or remote control.
6. If the Fireplace does not light, the System will cycle through two trials, (one minute audible clicking, thirty seconds of silence, and then another one minute of audible clicking). If the system locks out due to inadequate gas flow, refer to "Troubleshooting" in instruction guide.
7. After completion of the information in the Troubleshooting section, Repeat step 5.
8. If the system will not function correctly, follow the instructions "To Turn Off Gas To Appliance" and call your service technician or gas supplier.



SW1 = Programing Button
 LED1 = Red Diagnostic Light
 LED2 = Amber Programing Remote Control Light
 Typical Control Module shown



Gas Valve

TO TURN OFF GAS TO APPLIANCE:

1. Turn off fireplace using wall switch or remote control.
2. Turn the incoming gas shut off valve to "Off".

P/N LB176-060614

Section 7: Finishing the fireplace

Cement Board Install

Install the supplied non-combustible cement board to overlap the new horizontal & vertical 2 x 4's, place the non-combustible wall board above the fireplace throat, allowing 1/8" clearance from the rim above the fireplace opening. Pre-drill the board with 1/8" drill bit and secure to framing with nails, use flat head sheet metal screws to fasten the board to the metal header.

SINGLE SIDED

Top (Qty 1)

Sides (Qty 2)

Bottom (Qty 1)

SEE-THRU

Top (Qty 2)

Sides (Qty 4)

Bottom (Qty 2)

Cut standard Gyproc / Drywall board to complete the installation of the surround. Fit the edge of the board to the rim around the fireplace opening. Fasten the board in place using standard drywall screws.

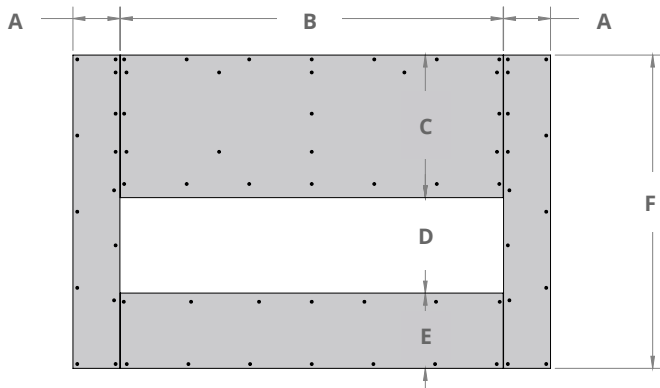


Figure 28. Supplied non-combustible cement board dimensions

D3615, D3615ST		D4815, D4815ST		D7215, D7215ST	
A	10 ⁷ / ₈	A	10 ⁷ / ₈	A	10 ⁷ / ₈
B	40 ⁷ / ₈	B	52 ⁷ / ₈	B	76 ⁷ / ₈
C	24	C	24	C	33 ⁷ / ₁₆
D	17 ⁷ / ₈	D	17 ⁷ / ₈	D	17 ⁷ / ₈
E	12 ⁹ / ₁₆	E	12 ⁹ / ₁₆	E	12 ⁹ / ₁₆
F	53 ¹¹ / ₁₆	F	53 ¹¹ / ₁₆	F	63 ¹ / ₈

NOTICE

The bottom section of the concrete board measurement includes 2¹/₄" to allow coverage of the recommended fireplace platform and to avoid driving screws into important components inside the fireplace box.

Remote Operation

The Proflame 2 System consists of the following elements:

1. Pilot Assembly
2. Proflame Gas Valve.
3. Proflame 2 Control Module
4. Wiring Harness
5. Variable Speed fans
6. AUX Button turns power ON to the LED Controller
7. Proflame 2 remote control
8. Battery Pack
- 9 Manual override switch

NOTE: Can not be used with home automation systems.

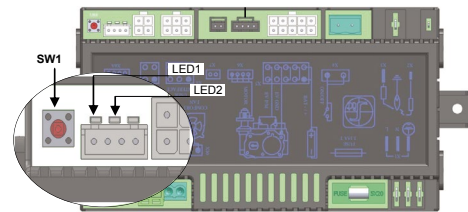
The Proflame 2 Transmitter controls the following fireplace functions:

1. Main Burner On/Off
2. Main Burner flame modulation (6 levels).
3. Choice of standing or intermittent pilot (CPI/IPI).
4. Thermostat and Smart thermostat functions.
5. AUX Button turns power ON to the LED Controller
6. Fan speed modulation (6 levels).

The Proflame 2 Transmitter uses a streamlined design with a simple button layout and informative LCD display. A Mode Key is provided to turn On/Off or index through Thermostat functions, see Figure 26. Additionally, a Key Lock feature is provided.



Figure 29. Proflame 2 Remote



- SW1 = Programing Button
- LED1 = Red Diagnostic Light
- LED2 = Amber Programing Remote Control Light

Figure 29.b Proflame 2 Control Module

⚠ WARNING

Do not expose remote control to temperatures below 0°C (32°F) or above 50°C (122°F)

⚠ CAUTION

Property Damage Hazard. Excessive heat can cause property damage.
The appliance can stay lit for many hours. Turn off the appliance if it is not going to be attended for any length of time.

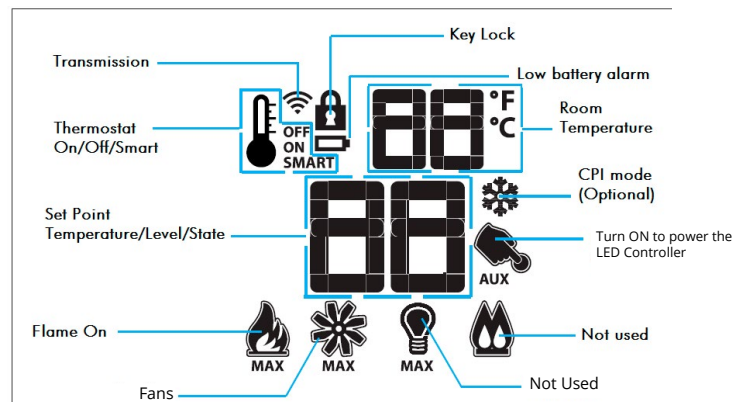


Figure 29.c Remote Control LCD Display

Initializing the System for the first time

1. Set master override switch to off position.
2. Install four (4) AA batteries into the battery holder.
3. Install three (3) AAA batteries in the back of the remote control.

Note the polarity of batteries and install them as indicated by the silk screen (+/-) on the holder.

4. Connect AC Power (115 volts, 60 Hz) to fireplace.

Operating the System for the first time

5. Press SW1 button on the control module. The control module will beep three (3) times and an amber LED is illuminated to indicate that the IFC (control board) is ready to synchronize with a remote control within 10 sec. Push the ON button. The control module will "beep" four (4) times to indicate transmitter's command is accepted.

The System is now initialized.

WARNING

Battery operated device. Read the battery instructions before installing them into the system. Do not expose any battery, or its holder, or a device in which batteries are installed, to a working temperature greater than 54°C / 129°F

Temperature Indication Display

With the system in the "Off" position, press the Thermostat Key and the Mode Key at the same time. Look at the LCD screen on the Remote Control to verify that a C or F is visible to the right of the Room Temperature display.

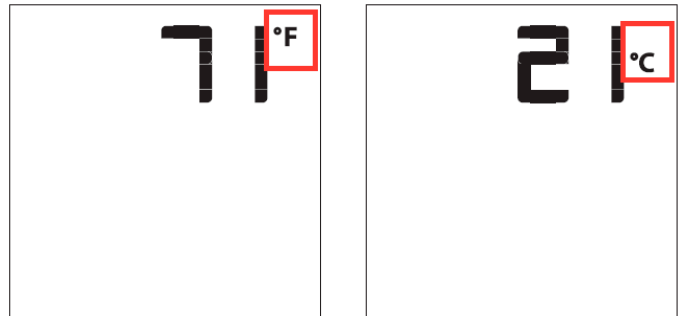


Figure 29.e Remote Control display in Fahrenheit & Celsius

Turn On the Fireplace

With the system Off, turn the master override switch to on and press the On/Off Key on the Remote Control. The Remote Control display will show some other active Icons on the screen. At the same time the Control Module will activate the fireplace. A single "beep" from the Control Module will confirm reception of the command.

Turn Off the Fireplace

With the system On, press the On/Off Key on the Remote Control. The Remote Control LCD display will only show the room temperature. At the same time the Control Module will turn off the fireplace. A single "beep" from the Receiver confirms reception of the command.



Figure 29.f Remote Control Display

Remote-Flame Control

When you turn on the fireplace it starts on high. The proflame 2 has six (6) flame levels. Each time you press the Down Arrow Key once the flame height will reduce by one step.

You can continue this until the main burner flame turns off. You can still operate the accent lights and fans in this mode.

If the main burner flame is off and you press the up arrow key once, the flame will automatically go to high.

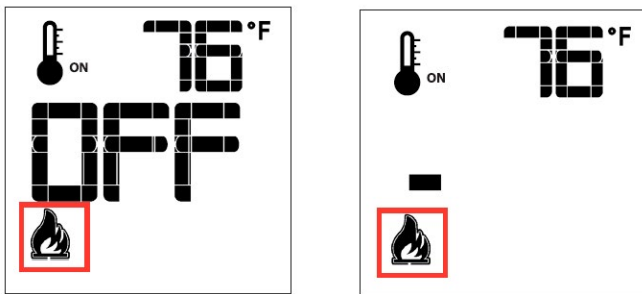


Figure 29.g Flame Off and Flame Level 1.

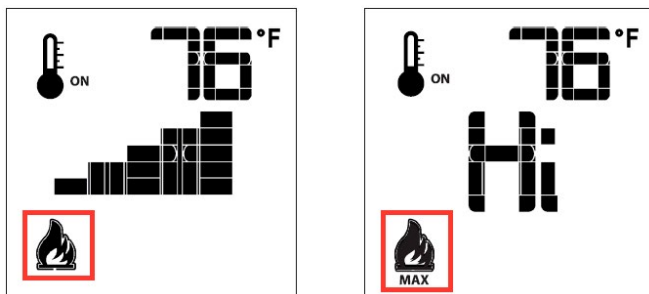


Figure 29.h Flame Level 5 and Flame Level Maximum

Room Thermostat (Remote Control Operation)

The Remote Control can operate as a room thermostat. The thermostat can be set to a desired temperature to control the comfort level in a room. To activate the function, press the Thermostat Key, see Figure 29i. The LCD display on the remote control will change to show that the room thermostat is "On" and the set temperature is now displayed. To adjust the set temperature press the Up or Down Arrow Keys until the desired set temperature is displayed on the LCD screen of the Transmitter.

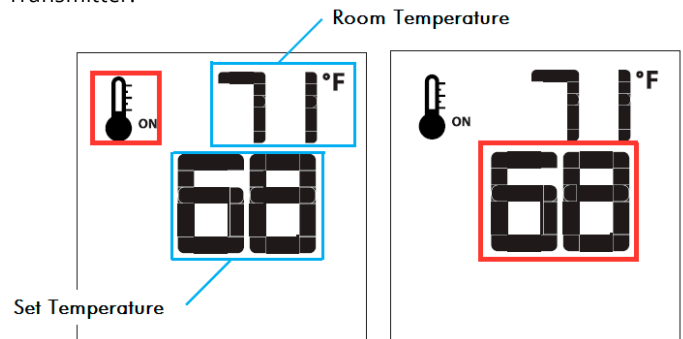


Figure 29.i Setting Room Thermostat

Smart Thermostat (Remote Control Operation)

The Smart Thermostat function adjusts the flame height in accordance to the difference between the set point temperature and the actual room temperatures. As the room temperature gets closer to the set point the Smart Function will modulate the flame down. To activate the function, press the Thermostat Key, see Figure 29, until the word "SMART" appears to the right of the temperature bulb graphic, see Figure 29j.

NOTE: When smart Thermostat is activated, manual flame height adjustment is disabled.

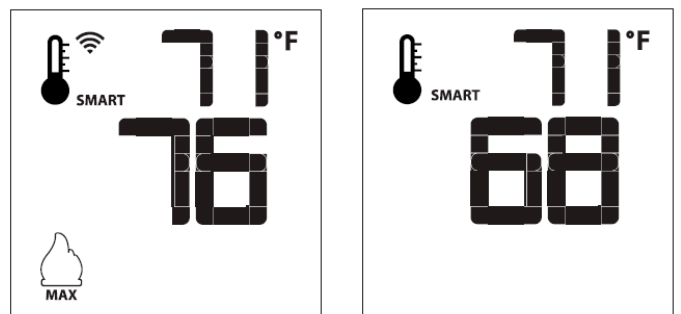


Figure 29.j Smart flame function

Disabling Thermostat

Some jurisdictions and bedroom installations require the thermostat to be disabled.

1. Partially take out one battery, see Figure 26k.
2. Insert the battery while holding down the thermostat button. The remote screen will display 'Clr' while the button is held down. See Figure 26l.
3. To enable thermostat repeat steps 1-2. The remote screen will display 'set' while the thermostat button is held down.



Figure 29.k



Figure 29.l

Fan Speed Control

The fireplace is equipped with optional hot air circulating fans. The speed of the fans can be controlled by the Proflame system. The fan speed can be adjusted through six (6) speeds. To activate this function use the Mode Key, see Figure 26, to index to the fan control icon, see Figure 29m. Use the Up/Down Arrow Keys to turn on, off, or adjust the fan speed. A single "beep" will confirm reception of the command.

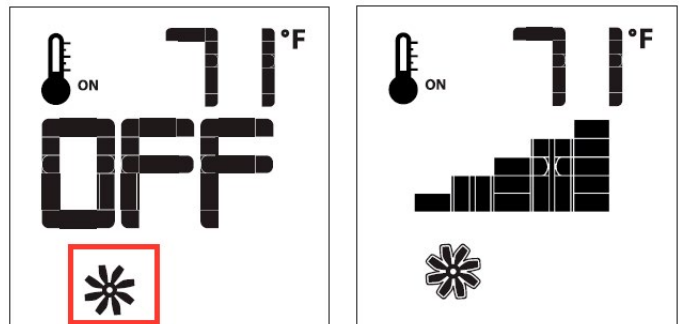


Figure 29.m Fan Speed Control

Accent Light Control

The fireplace may be equipped with accent lights. The auxiliary function controls the Accent Lights. To activate this function use the Mode Key, see figure 29, to index to the AUX icon, see figure 29n.

Pressing the Up Arrow Key will turn the light on. Pressing the Down Arrow Key will turn the light off. A single "beep" will confirm the reception of the command.

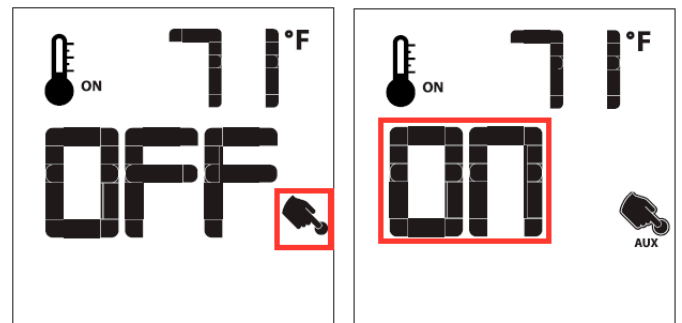


Figure 29.n Light Control

LED Remote Control Operation

Use AUX function to turn power on to LED

NOTE: The color being touched on the ring doesn't necessarily mean the same color will be displayed on the LED kit, keep moving along the wheel until the desired color is displayed

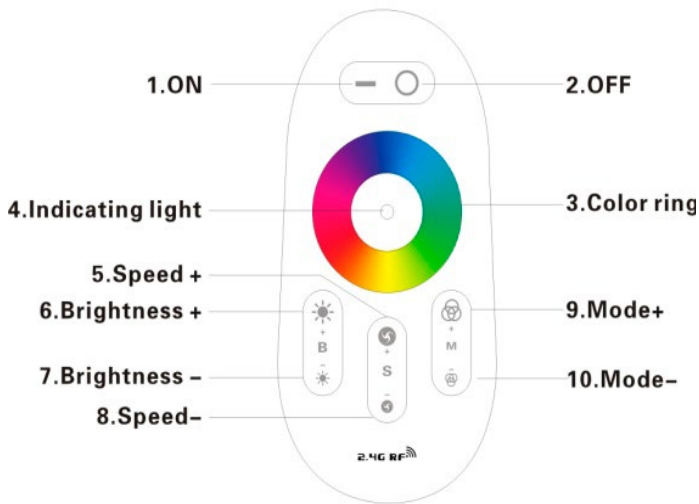


Figure 30. LED remote

Item	Parameters
Working Voltage	AAA*2pcs(3V)
Radio Frequency	2400-2483.5MHz
Modulate Method	GFSK
Transmit Power	6db
Standby Power Consumption	10uA
Remote Distance	20-30m
Dimension	110×52×30mm

Figure 30.b Remote parameters

#	Mode	Brightness State	Speed State
1	Static white color	Adjustable	Unadjustable
2	White color gradual changes	Adjustable	Adjustable
3	All colors gradual change	Adjustable	Adjustable
4	Red/green/ blue three colors gradual change	Adjustable	Adjustable
5	Seven colors jump to change	Adjustable	Adjustable
6	Three colors jump to change	Adjustable	Adjustable
7	Red/ green jumps to change	Adjustable	Adjustable
8	Red/blue jumps to change	Adjustable	Adjustable
9	Blue/green jumps to change	Adjustable	Adjustable
10	White color frequently blinks	Adjustable	Adjustable
11	White color glitters	Adjustable	Adjustable
12	Red color frequently blinks	Adjustable	Adjustable
13	Red color glitters	Adjustable	Adjustable
14	Green color frequently blinks	Adjustable	Adjustable
15	Green color glitters	Adjustable	Adjustable
16	Blue color frequently blinks	Adjustable	Adjustable
17	Blue color glitters	Adjustable	Adjustable
18	Yellow color frequently blinks	Adjustable	Adjustable
19	Yellow color glitters	Adjustable	Adjustable
20	Circulation mode		

Figure 30.c Remote modes

Pairing the remote to the module (Code Clearing and Code Matching)

Code Matching : Confirm it is correctly connected between power supply, LED controller and LED load.

Switch off the power, then switch on again, and press S+ button once (within 3 seconds) the moment you see the light on the power supply. The LED light blinks twice slowly when it is done.

Code Clearing : Confirm it is correctly connected between power supply, LED controller and LED load.

Switch off the power, then switch on again, and long press S+ button (within 3 seconds) the moment you see the light on the power supply. The LED light quickly blinks nine times when it is done.

Section 10: Cleaning and Maintenance

General

- Have the fireplace and installation inspected yearly. The inspection must include, but is not limited to, the following:
 - A visual check of the entire vent system and termination.
 - An inspection of the door gaskets to ensure a proper seal.
 - An inspection of the burner, vent run, and primary air openings.
 - An inspection of the gas valve, gas components, and pilot flame. For your convenience a 1/8" manifold pressure tap is supplied on the gas valve for a test gauge connection.
- Always keep the fireplace area clear and free of combustible materials, as well as gasoline and other flammable vapors and liquids.
- Do not use this appliance if any part has been under water. Immediately call a qualified service technician to inspect the appliance and to replace any part of the control system and any gas control which has been under water.

NOTICE

Do not use ammonia or abrasive cleaners on the glass, they will permanently etch the surface. Use an approved gas fireplace cleaner such as Kel-Kem or White off.

Annual inspection list for determining safe operation of a direct vent gas fireplace

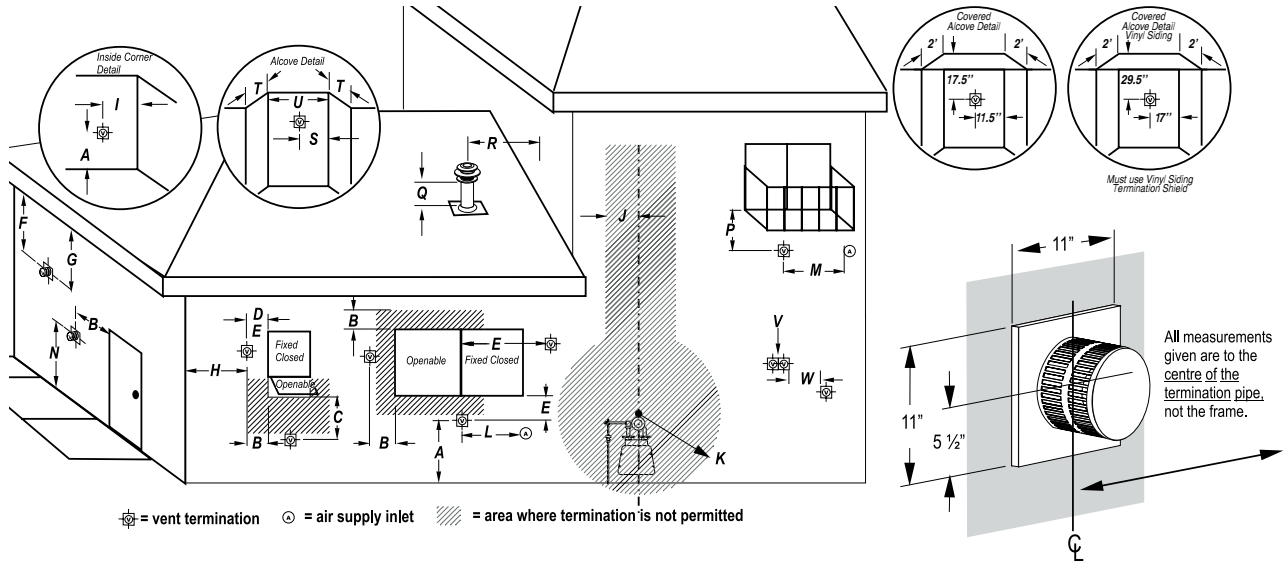
- 1) Inspect and operate the pressure relief mechanism to verify relief mechanisms are free from obstruction to operate.
- 2) Clean glass window with a suitable fireplace glass cleaner. Abrasive cleaners must not be used. Be careful not to scratch the glass when cleaning.
- 3) Inspect the operation of the flame safety system Pilot or Flame rectification device.
- 4) Inspect and ensure the lighting of the main burner occurs within 4 seconds of the main gas valve opening. Visual inspection should match that outlined in the appliance instruction manual. Inspect primary air openings for blockage.
- 5) Inspect condition of vent and vent terminal for sooting or obstruction and correct if present.
- 6) Vacuum and clean any debris in the firebox that is not supposed to be there.
- 7) Test and measure the flame failure response time of the flame safety system. It must de-energize the safety shutoff in no more than 30 seconds.
- 8) Check all accessible gas-carrying tubes, connections, pipes and other components for leaks.

Cleaning

When the fireplace is first activated, there may be some smoking and a visible film may be left on the glass. This is a normal condition, and is the result of burning of protective coatings on new metal.

- Glass must be cleaned periodically to remove any film (which is a normal by-product of combustion) which may be visible. Film can easily be removed by removing the door, as shown on Page 35. Handle the door carefully, and clean it with non-abrasive, non-ammonia based glass cleaners. One of the most effective products is Kel-Kem.
- During the initial firing, Silicone seals will "off gas", leaving a visual deposit of a white substance on combustion chamber walls. This can easily be removed using normal household products.
- Use a vacuum cleaner or whisk broom to keep the control compartment, burner, and firebox free from dust and lint.

Appendix A: Venting Terminations



Location	Canada*	USA**
A clearance to the termination frame above grade, veranda, porch, deck, or balcony	12 inches	12 inches
B clearance to top of doors or operable windows	12 inches	12 inches
C clearance to sides or bottom of door or operable windows	12 inches	9 inches
D clearance to permanently closed window when installed with approved glass penetration termination	0	0
E clearance to permanently closed window Recommended to prevent condensation	16 inches	16 inches
F clearance to ventilated soffit located within a horizontal distance to 24 inches from centerline of termination	22 inches	22 inches
G clearance to unventilated soffit	30 inches to combustibles 16 inches to non-combustibles	30 inches to combustibles 16 inches to non-combustibles
H clearance to outside corner	9 inches	9 inches
I clearance to inside corner	12 inches	12 inches
J clearance to each side of the vertical centerline of a metre or regulatory assembly to a maximum vertical distance of 15ft	3 feet	3 feet
K clearance to service regulator vent outlet	3 feet	3 feet
L clearance to non mechanical air supply inlet to the building or combustion air inlet to other appliance for appliance <= 100,000 BTU/H (30 kW)	12 inches	12 inches
M clearance to forced air supply inlet	6 feet	3 feet above air inlet
N clearance above paved sidewalk or paved driveway located on public property	7 feet	7 feet
P clearance under veranda, porch, deck, or balcony	22 inches to combustibles 16 inches to non-combustibles	22 inches to combustibles 16 inches to non-combustibles
Q clearance above roof	2 feet	2 feet
R clearance to adjacent walls and neighboring buildings	2 feet	18 inches
S clearance from corner in recessed location	12 inches	12 inches
T Maximum depth of recessed location	4 feet	4 feet
U Maximum width for back wall of recessed location	2 feet	2 feet
V Horizontal clearance between two terminations that are level	0	0
W Horizontal clearance (centre to centre) between two terminations that are not level	18 inches	18 inches

Note 1: For N a vent shall not terminate directly above the sidewalk or paved driveway which is located between two single family dwellings and serve both dwelling.

Note 2: For P only permitted if veranda, porch, deck, or balcony is fully open on a minimum of two sides beneath the floor

Note 3: For J, K, and as specified in CGA B149 installation code. Local codes or regulations may vary.

* Based on CGA B149.1 Natural Gas and Propane installation code. Local codes may vary, please check with local regulatory agency.

** Based on ANSI Z223.1/NFPA 54 National Fuel Gas Code. Local codes may vary, please check with local regulatory agency.

Appendix B: Warranty

MONTIGO RESIDENTIAL WARRANTY PROGRAM

Canadian Heating Products Inc. and/or Montigo DelRay Corp (collectively referred to herein as "The Companies"), warrants the Montigo gas appliance (referred to herein as 'the appliance') to be free from defects in materials and workmanship at the time of manufacture. The gas appliance and related components are further subject to the terms and conditions set forth below.

This warranty covers the following Montigo product series: Distinction, H, I, L, Linear P and PL, R and Mahana

Component	Coverage Period	Labor Coverage
Firebox, heat exchanger	15 years	1 year
Main burner	15 years	1 year
Gas control valve and related control components (pilot assembly, spark electrode flame sensors, thermopile)	1 year	1 year
Electrical components (internal blowers, ignition control module, wiring, switches, remote control systems, blower control module, accent bulbs)	1 year	1 year
Firebox media (logset, glass beads, river rocks)	1 year	1 year
Glass (thermal breakage)	1 year	1 year
Plated, painted finishes (including interior reflective glass)	1 year	1 year
Refractory lining	1 year	1 year
Mesh/Glass safety barriers	1 year	1 year
Power Vent Control box	1 year	1 year
Montigo Venting (excluding terminations)	15 years	1 year

QUALIFICATIONS TO THE WARRANTY

This Warranty only covers gas appliances installed in the United States or Canada.

To receive the benefits of this warranty, the appliance must be purchased, installed and serviced annually by a dealer authorized by the Companies for the warranty to be valid.

The gas appliance must be installed by a licensed professional in accordance with The Companies' installation instructions and local building codes. The warranty on the appliance covers only components manufactured by The Companies. The use of components manufactured or supplied by other manufactures and used in conjunction with the appliance could create serious safety hazards, may result in the denial of certification by recognized national safety agencies and could violate local building codes. Such use may untimely void this warranty. This warranty does not cover any damages occurring from the use of any components not manufactured or supplied by The Companies.

The appliance must be subjected to normal use. The appliance is designed to burn natural gas (NG) or liquefied petroleum (LP) only. Burning conventional fireplace fuels such as wood, coal or any other solid fuel will cause damage to the appliance, produce excessive temperatures will result in a fire hazard and void all warranties. This warranty is transferable. The appliance must remain in its original place of installation to be valid.

If the components of the appliance covered by this warranty are found to be defective within the time frame stated (see The Companies investigation of claims), the companies will, at its option, replace or repair defective components of the appliance manufactured by the company at no charge and will also pay for labor costs (in accordance with schedule) incurred in replacing or repairing components. If repair or replacement is not commercially practical, the companies will, at its sole discretion, provide a current or most like unit, excluding the cost of labor unless the labor is covered by the terms of the warranty.

This warranty covers only parts and labor as provided above. In no case shall the companies be responsible for materials, components or construction. All replacement or repair components will be shipped F.O.B. from the nearest Company factory.

LIMITATION ON LIABILITY

It is agreed and understood that The Companies sole obligation, and purchaser's exclusive remedy under this warranty, under any other warranty, expressed or implied, or in contract, tort or otherwise, shall be limited to repair or replacement as specified above. The opinion of The Companies with respect to these matters shall be final.

In no event shall The Companies be responsible for any incidental or consequential damages caused by (but not limited to) improper installation, installation by an unqualified or unauthorized installer, accident, lack of regular maintenance, user error, abuse, misuse, Acts of God, power surges, floods, natural disasters, force majeure, defects in its appliance whether such damage occurs or is discovered before or after replacement or repair, and whether or not such damage is caused by The Companies negligence. Some jurisdictions do not allow the exclusion or limitation of incidental or consequential damages, so the above limitation or exclusion may not apply to you. The duration of any implied warranty with respect to the appliance is limited to the duration of the foregoing warranty. Some jurisdictions do not allow limitations on how long an implied warranty lasts, so the above limitation or exclusion may not apply to you.

Appendix B: Warranty Continued

EXCLUSIONS TO WARRANTY

Corrosion or rust of any kind due to a lack of maintenance, inadequate combustion air or improper venting and corrosive chemicals/environments, expansion and contraction of metals or minor movements of components causing noise are not covered by this warranty.

Willful misconduct (i.e. use of the appliance with problems known to the purchaser and causing further damages), including unauthorized or self-performed 'fixing' or exploration of the appliance's internal workings will void the warranty.

Appliances on which the serial number has been altered, defaced, removed or made illegible will void the warranty.

Costs incurred for diagnosis, service work, shipping and handling of defective or replacement parts are not covered under this warranty.

The published warranties are not applicable for any equipment manufactured by The Companies that has been sold direct to the consumer via internet or auction websites. The Companies do not endorse, approve or certify any online sale of its products through auction websites, online retailers or any other method of online sales direct to consumers.

INVESTIGATION OF CLAIMS AGAINST WARRANTY

The Companies reserve the right to investigate any and all claims against this warranty and decide upon method of settlement.

The Companies are not responsible for work done without written consent of The Companies.

The Companies shall in no event be responsible for any warranty work done without first obtaining the Companies written consent.

The Companies employees and dealers have no authority to make any warranties to neither alter this warranty nor authorize any remedies in addition to or inconsistent with those stated within this warranty.

IF WARRANTY SERVICE IS NEEDED

To make a claim under this warranty, contact your installing dealer or contractor. The installing dealer is responsible for providing service and will contact the companies to initiate warranted parts replacements. In the event the installing dealer is unavailable, contact your nearest authorized Montigo dealer (www.Montigo.com) or contact Montigo direct at techsupport@montigo.com. Ensure you have your sales receipt and the model and serial number of your appliance.

DO NOT ATTEMPT TO DO ANY SERVICE WORK YOURSELF

If you cannot locate the installing dealer, or nearest dealer/distributor, you must notify The Companies in writing.

USA Offices

6955 Salashan Parkway
Ferndale WA, 98248
techsupport@montigo.com

Canadian Offices

27342 Gloucester Way
Langley, BC V4W 4A1
techsupport@montigo.com

The terms and conditions of this warranty may be altered or amended from time to time without prior notice.

WARRANTY PERIOD: Warranty coverage begins on the date of original purchase. In the case of new construction, warranty coverage begins on the date of first occupancy of the dwelling or six months after the sale of the product by an independent, authorized Company dealer/ distributor, whichever occurs earlier.

Appendix C: Amendment

(Gas Fireplace / Equipment sold in the State of Massachusetts) 5.08: Modifications to NFPA-54, Chapter 10

- (1) Revise NFPA-54 section 10.5.4.2 by adding a second exception as follows:

Existing chimneys shall be permitted to have their use continued when a gas conversion burner is installed, and shall be equipped with a manually reset device that will automatically shut off the gas to the burner in the event of a sustained back-draft.

- (2) Revise 10.8.3 by adding the following additional requirements:

- (a) For all side wall horizontally vented gas fueled equipment installed in every dwelling, building or structure used in whole or in part for residential purposes, including those owned or operated by the Commonwealth and where the side wall exhaust vent termination is less than seven (7) feet above finished grade in the area of the venting, including but not limited to decks and porches, the following requirements shall be satisfied:

1. **INSTALLATION OF CARBON MONOXIDE DETECTORS.** At the time of installation of the side wall horizontal vented gas fueled equipment, the installing plumber or gas fitter shall observe that a hard wired carbon monoxide detector with an alarm and battery back-up is installed on the floor level where the gas equipment is to be installed. In addition, the installing plumber or gas fitter shall observe that a battery operated or hard wired carbon monoxide detector with an alarm is installed on each additional level of the dwelling, building or structure served by the side wall horizontal vented gas fueled equipment. It shall be the responsibility of the property owner to secure the services of qualified licensed professionals for the installation of hard wired carbon monoxide detectors
 - a. In the event that the side wall horizontally vented gas fueled equipment is installed in a crawl space or an attic, the hard wired carbon monoxide detector with alarm and battery back-up may be installed on the next adjacent floor level.
 - b. In the event that the requirements of this subdivision can not be met at the time of completion of installation, the owner shall have a period of thirty (30) days to comply with the above requirements; provided, however, that during said thirty (30) day period, a battery operated carbon monoxide detector with an alarm shall be installed.
2. **APPROVED CARBON MONOXIDE DETECTORS.** Each carbon monoxide detector as required in accordance with the above provisions shall comply with NFPA 720 and be ANSI/UL 2042 listed and IAS certified.
3. **SIGNAGE.** A metal or plastic identification plate shall be permanently mounted to the exterior of the building at a minimum height of eight (8) feet above grade directly in line with the exhaust vent terminal for the horizontally vented gas fueled heating appliance or equipment. The sign shall read, in print size no less than one-half (1/2) inch in size, "GAS VENT DIRECTLY BELOW. KEEP CLEAR OF ALL OBSTRUCTIONS".

4. **INSPECTION.** The state or local gas inspector of the side wall horizontally vented gas fueled equipment shall not approve the installation unless, upon inspection, the inspector observes carbon monoxide detectors and signage installed in accordance with the provisions of 248 CMR 5.08(2)(a)1 through 4.

- (b) **EXEMPTIONS:** The following equipment is exempt from 248 CMR 5.08(2)(a)1 through 4:

1. The equipment listed in Chapter 10 entitled "Equipment Not Required To Be Vented" in the most current edition of NFPA 54 as adopted by the Board; and
 2. Product Approved side wall horizontally vented gas fueled equipment installed in a room or structure separate from the dwelling, building or structure used in whole or in part for residential purposes.
- (c) **MANUFACTURER REQUIREMENTS - GAS EQUIPMENT VENTING SYSTEM PROVIDED.** When the manufacturer of Product Approved side wall horizontally vented gas equipment provides a venting system design or venting system components with the equipment, the instructions provided by the manufacturer for installation of the equipment and the venting system shall include:
1. Detailed instructions for the installation of the venting system design or the venting system components; and
 2. A complete parts list for the venting system design or venting system.
- (d) **MANUFACTURER REQUIREMENTS - GAS EQUIPMENT VENTING SYSTEM NOT PROVIDED.** When the manufacturer of a Product Approved side wall horizontally vented gas fueled equipment does not provide the parts for venting the flue gases, but identifies "special venting systems", the following requirements shall be satisfied by the manufacturer:
1. The referenced "special venting system" instructions shall be included with the appliance or equipment installation instructions; and
 2. The "special venting systems" shall be Product Approved by the Board, and the instructions for that system shall include a parts list and detailed installation instructions.
- (e) A copy of all installation instructions for all Product Approved side wall horizontally vented gas fueled equipment, all venting instructions, all parts lists for venting instructions, and/or all venting design instructions shall remain with the appliance or equipment at the completion of the installation.
- (3) After NFPA-54 section 10.10.4.2 add a new section 10.10.4.3 as follows:
- When more than four gas appliances are to be vented through a common gas vent or common horizontal vent manifold, a plan of the proposed vent installation shall be submitted to the Inspector and the serving gas supplier for review and approval.

Extraction from: Massachusetts Rules and Regulations

5.00: Amendments To 2002 Edition Of ANSI Z223.1-NFPA-54

D7215

D7215ST

Vented gas fireplace heater