

MODERN  FLAMES

## Ambiance CLX Electric Series

AL CLX 1150 • AL CLX 1500 • AL CLX 2000

AL CLX 2500 • AL CLX 3600



**INSTALLATION/SERVICE INSTRUCTIONS**  
CE RATED FOR 230V 50HZ INSTALLATIONS

# MODERN FLAMES



**Read these instructions completely before beginning installation. Failure to follow them could cause a heater malfunction resulting in serious injury and/or property damage.**

**WARNING: All electric heaters have hot and arcing or sparking parts inside. Do not use it in areas where gasoline, paint or flammable liquids are or are stored.**

**This fireplace meets the construction and safety standards of H.U.D. for application in manufactured homes when installed according to these instructions.**

**INSTALLER: Leave this manual with the appliance.  
CONSUMER: Retain this manual for future reference.**

# USER INSTRUCTIONS

## TABLE OF CONTENTS

Important Instructions .....	3	Operation .....	10
Power Data.....	4	Service Parts.....	12
Product Dimensions .....	4	Frequently Asked Questions .....	13
Box Contents.....	5	Troubleshooting .....	14
Unpacking and Testing.....	6	Cleaning and Maintenance Instructions .....	16
Locating Fireplace .....	6	Wiring Diagram .....	16
Installation .....	7		

## IMPORTANT INSTRUCTIONS

**WARNING: Improper installation, adjustment, alteration, service or maintenance can cause injury or property damage. Refer to this manual. For assistance or additional information, consult a qualified installer.**

**CAUTION: Do not expose the heater to the elements (such as rain, etc).**

**Do not place clothing or other flammable material on or near firebox. Never place any objects on the fireplace.**

**Carefully supervise young children when they are in the room with fireplace.**

**Fireplace becomes very hot when running. Keep children and adults away from hot surfaces to avoid burns or clothing ignition. Fireplace will remain hot for a time after shutdown. Allow surfaces to cool before touching.**



**CAUTION: In order to avoid overheating, do not cover the heater.**

**Do not install fireplace directly on carpet or similar surface which may restrict air circulation beneath unit.**

When using electrical heaters, basic precautions should always be followed to reduce the risk of fire, electric shock and injury to persons, including the following:

1. Read all instructions before installing or using this heater.
2. This heater is hot when in use. To avoid burns, do not let bare skin touch hot surfaces. Keep combustible materials, such as furniture, pillows, bedding, papers, clothes, and curtains at least 3 feet (0.9m) from the front of the heater and keep them away from the sides and rear.
3. Extreme caution is necessary when any heater is used by or near children or invalids and whenever the heater is left operating and unattended.
4. Do not operate any heater after it malfunctions. Disconnect power at service panel and have heater inspected by a reputable electrician before using.
5. Do not use outdoors.
6. To disconnect heater, turn controls to off and turn off power to heater circuit at main disconnect panel.
7. Do not insert or allow foreign objects to enter any ventilation or exhaust opening as this may cause an electric shock or fire, or damage the heater.
8. To prevent a possible fire, do not block air intakes or exhaust in any manner.
9. A heater has hot and arcing or sparking parts inside. Do not use it in areas where gasoline, paint or flammable vapors or liquids are used or stored.
10. Use this heater only as described in this manual. Any other use not recommended by the manufacturer may cause fire, electric shock or injury to persons.
11. This heater includes a visual alarm to warn that parts of the heater are getting excessively hot. If the alarm illuminates, immediately turn the heater off and inspect for any objects on or adjacent to the heater that may have

## IMPORTANT INSTRUCTIONS

blocked the airflow or otherwise caused high temperatures to have occurred. **DO NOT OPERATE THE HEATER WITH THE ALARM ILLUMINATING.**

12. Do not operate any heater with a damaged cord or plug or after the heater malfunctions, has been dropped or damaged in any manner. Return heater to authorized service facility for examination, electrical or mechanical adjustment, or repair.

13. This heater is not intended for use in bathrooms, laundry areas and similar indoor locations. Never locate heater where it may fall into a bathtub or other water container.

14. Do not run cord under carpeting. Do not cover cord with throw rugs, runners, or the like. Arrange cord away from traffic area and where it will not be tripped over.

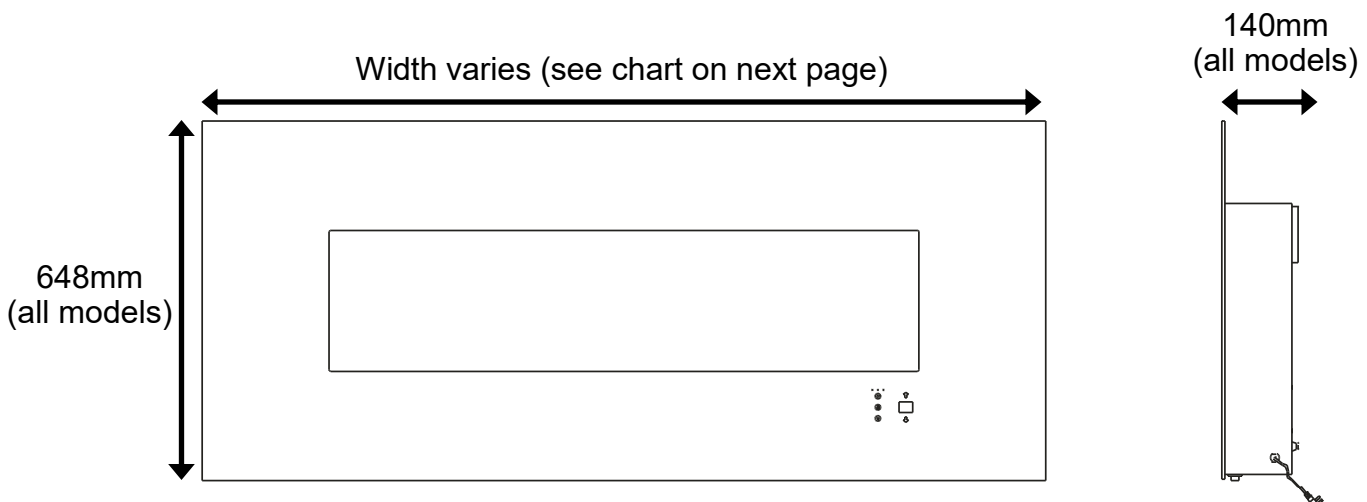
15. Avoid the use of an extension cord because the extension cord may overheat and cause a risk of fire. However, if you have to use an extension cord, the cord shall be 3x1.5mm<sup>2</sup> minimum size and rated not less than 1875 watts.

16. SAVE THESE INSTRUCTIONS

## POWER DATA

	AL CLX 3600	AL CLX 2500	AL CLX 2000	AL CLX 1500	AL CLX 1150
Volts/HZ Amps	AC 220-240V/50-60Hz 7 Amps	AC 220-240V/50-60Hz 7 Amps	AC 220-240V/50-60Hz 7 Amps	AC 220-240V/50-60Hz 7 Amps	AC 220-240V/50-60Hz 7 Amps
Heater	AC 230V/50Hz 1.5 kW	AC 230V/50Hz 1.5kW	AC 230V/50Hz 1.5kW	AC 230V/50Hz 1.5kW	AC 230V/50Hz 1.5kW
Lamps	LED	LED	LED	LED	LED
Rotor motor	AC 230V/50Hz 4W CCW 15/18 r/min	AC 230V/50Hz 4W CCW 15/18 r/min	AC 230V/50Hz 4W CCW 15/18 r/ min	AC 230V/50Hz 4W CCW 15/18 r/ min	AC 230V/50Hz 4W CCW 15/18 r/ min
Shipping Size	3721x230x800mm	2604x230x800mm	2096x230x800mm	1590x230x800mm	1080x230x800mm
Shipping Weight	127 kg	88 kg	68 kg	45 kg	30 kg

## PRODUCT DIMENSIONS



# USER INSTRUCTIONS

Model	Viewing Area	Face Dimensions	Firebox Dimensions
AL CLX 1150	686mm W x 254mm H	1143mm W x 648mm H	743mm W x 648mm H x 140mm D
AL CLX 1500	1067mm W x 254mm H	1524mm W x 648mm H	1124mm W x 648mm H x 140mm D
AL CLX 2000	1575mm W x 254mm H	2032mm W x 648mm H	1632mm W x 648mm H x 140mm D
AL CLX 2500	2083mm W x 254mm H	2540mm W x 648mm H	2140mm W x 648mm H x 140mm D
AL CLX 3600	3200mm W x 254mm H	3658mm W x 648mm H	3258mm W x 648mm H x 140mm D

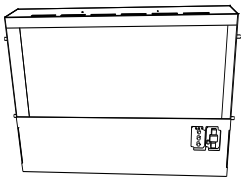
## BOX CONTENTS



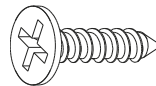
1 Mounting Bracket



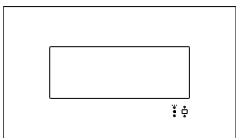
4 Wall Anchors



1 Fire Unit



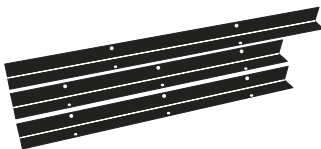
4 Small Washer Head Screws



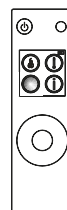
1 Glass Face



4 Large Washer Head Screws



3 L-metal Brackets



1 Remote



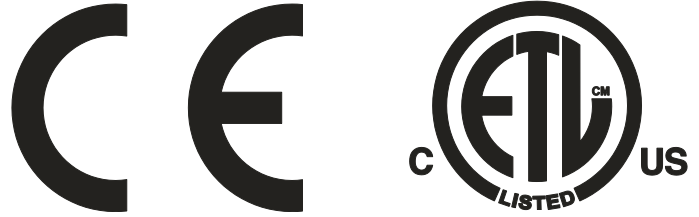
Glacier Crystal



Resin Coal

## UNPACKING AND TESTING

Ambiance Linear Electric Fireplaces are CE, ETL and SAA approved and safety tested.



**WARNING:** Do not operate the unit if it is damaged or has malfunctioned. If you suspect the unit is damaged, return the unit to an authorized service facility for examination, electrical or mechanical adjustment or repair.

Carefully remove unit from box. Prior to permanently installing unit, test to make sure unit operates properly. To do this, plug unit's power supply cord into a conveniently located 230-volt grounded outlet.

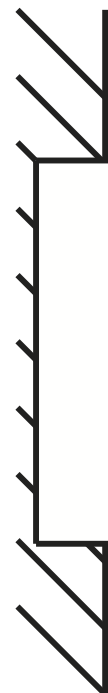
**CAUTION:** The unit's power supply cord must be connected to a properly grounded and protected 230-volt outlet. Always use ground fault protection where required by the electrical code. Never use an extension cord with this product.

## LOCATING FIREPLACE

**CAUTION:** Do not locate in a moist room such as a bathroom or laundry room.

**CAUTION:** Wear gloves and safety glasses for protection during installation and maintenance.

This electric fireplace can be installed framed in to a wall. Install at least 1 foot from the floor and 3 feet from any combustibles such as carpet and drapes.



Recessed

# INSTALLATION

## INSTALLATION

### WARNING - RISK OF FIRE!

The power cord must not be pinched or against a sharp edge. Secure cord to avoid tripping or snagging to reduce the risk of fire, electric shock or personal injury.

Do not run cord under carpeting. Do not cover cord with throw rugs, runners or the like. Arrange cord away from traffic areas and where it will not be tripped over.

### WARNING - RISK OF FIRE!

To prevent a possible fire, do not block air intake or exhaust in any manner. Do not use on soft surfaces where openings may become blocked.

### WARNING - RISK OF FIRE!

Do not blow or place insulation against the firebox.

**WARNING:** If the information in these instructions is not followed exactly, a fire or explosion may result causing property damage, personal injury or death.

To reduce the risk of fire do not store or use gasoline or other flammable vapors in the vicinity of this or any other heater.

### Installing fireplace

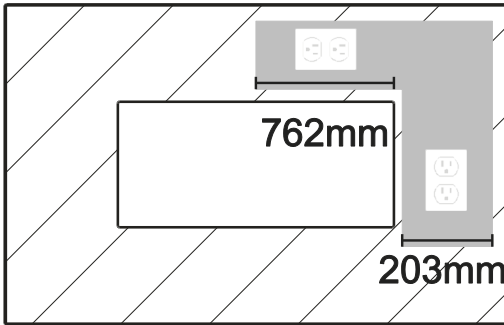
Select a suitable location that is not susceptible to moisture and is a safe distance from drapes, furniture and high traffic areas. A qualified electrician should add an electrical outlet per local building codes. See shaded area on recessed installation diagram for proper outlet placement. **Fireplace must be installed to a plumb vertical wall for correct operation of touch controls.**

*Note: Follow all national and local electrical codes. This fireplace can be framed in to the wall.*

# INSTALLATION

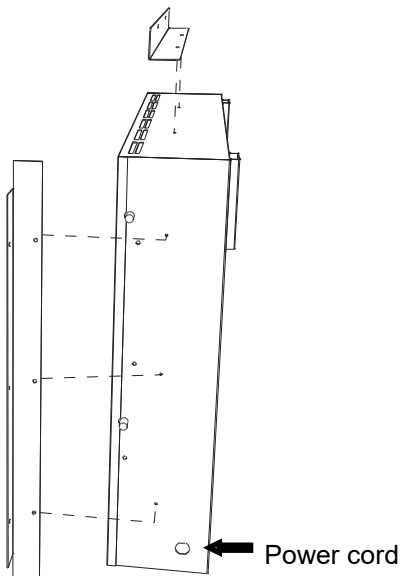
## Recessed Installation:

Prepare frame opening according to chart. Frame opening is slightly larger than the fire unit. For best concealment, a qualified electrician should add an electrical outlet per local building codes anywhere in the shaded area. Install 230v outlet on the finished surface above or to the right of the recessed opening. Fascia will cover the plug and outlet.



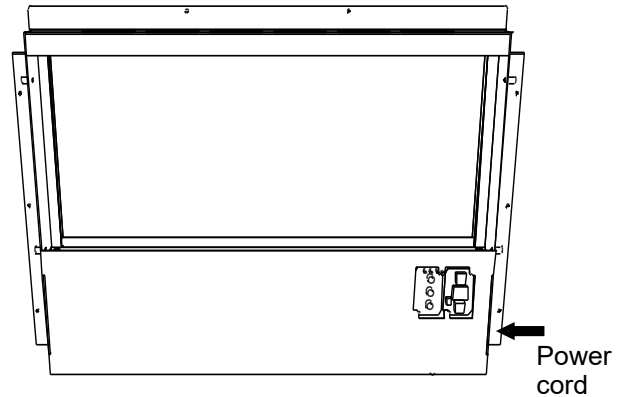
AL CLX 1150	762mm W x 502mm H x 100mm D
AL CLX 1500	1143mm W x 502mm H x 100mm D
AL CLX 2000	1651mm W x 502mm H x 100mm D
AL CLX 2500	2159 mm W x 502 mm H x 100 mm D
AL CLX 3600	3277mm W x 502mm H x 100mm D

2. Attach L-metal brackets to the fire unit with the provided small washer head screws.

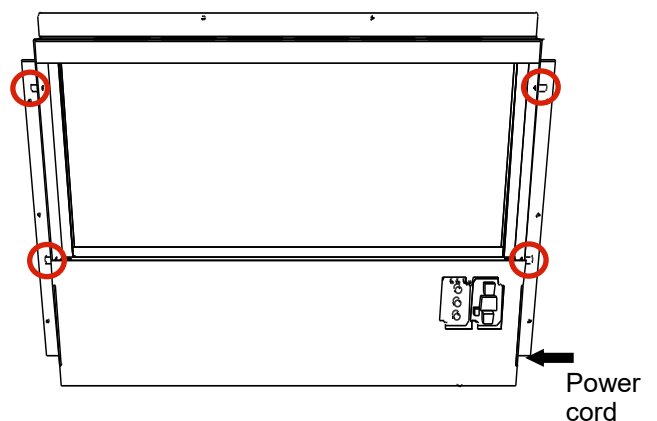
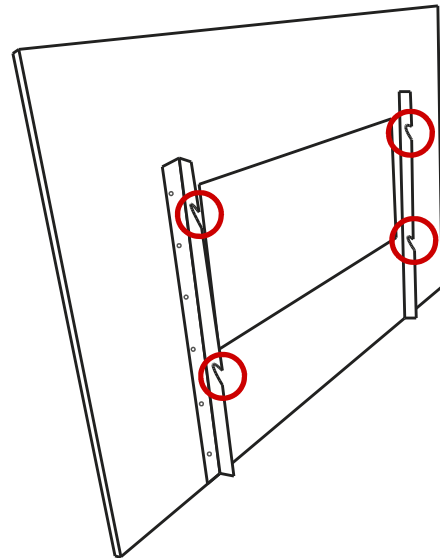


3. Secure fire unit to the finished framed opening with the provided large washer head screws. Make certain that at least 4 of the screws are driven in to a solid backing.

Fireplace will stand proud of the finished wall opening by 29mm, this area must not be blocked by any additional trim, tile, etc. as this will block proper air flow. This is a semi-permanent installation. Remove screws to relocate.



4. Hang the face on the fire unit. Make certain that the hooks from the on the backside of the glass face are secured on all 4 studs on the fire unit.





# INSTALLATION

## Wall-hung Installation:

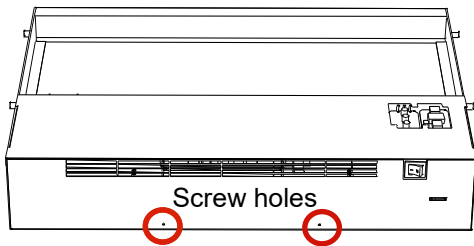
1. Hang the mounting bracket with the included large washer head screws and wall anchors. Wall anchors should be used at the highest outside corners. Be certain that at least two screws are driven in to solid backing. Use the chart to see proper distance between the screws used to hold the mounting bracket.



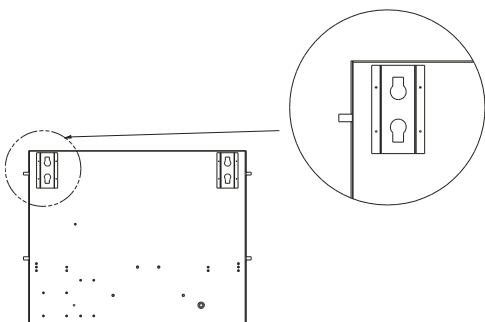
Use the chart below to see proper distance between the screws used to hold the mounting bracket.

AL CLX 1150	705mm
AL CLX 1500	756mm
AL CLX 2000	1264mm
AL CLX 2500	1753mm
AL CLX 3600	2870mm

2. Attach the L metal bracket to the bottom of the fire unit with the small washer head screws.

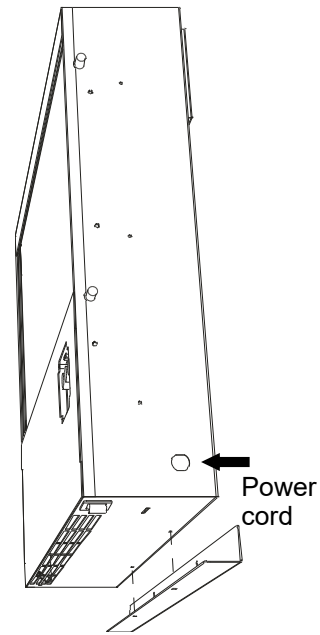


3. Hang the fire unit on the mounting bracket by slotting the key hole slots on the fire unit over the hooks on the mounting bracket.  
4. Use the included L metal bracket to secure

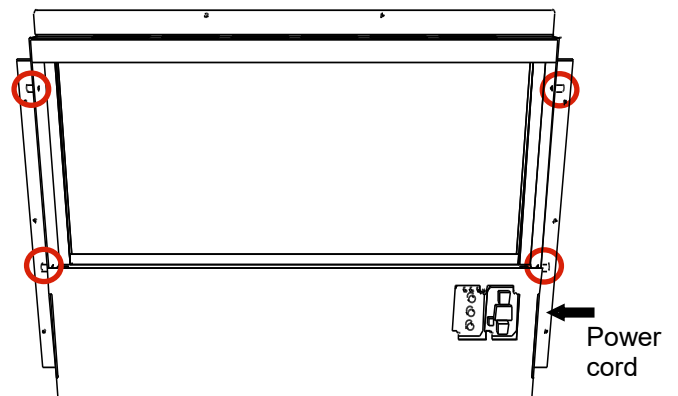
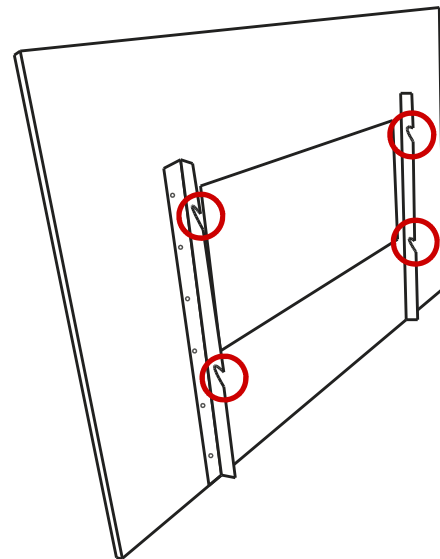


the bottom of the fire unit to the wall. This is a semi-permanent installation. Remove screws to relocate.

5. Hang the glass face on the fire unit. Make

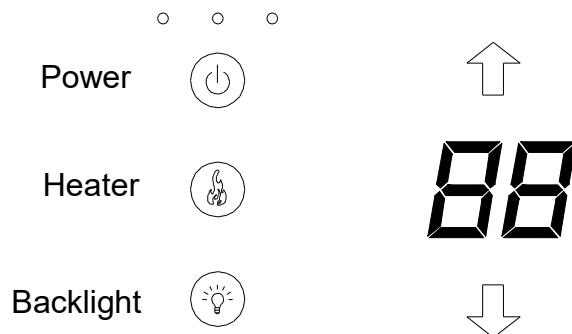


certain that the hooks from the on the backside of the glass face are secured on all 4 studs on the fire unit.



## OPERATION

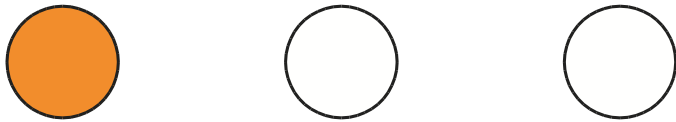
On the bottom of the unit is a main power switch. Switch this to the on position to begin using the fireplace. Directly below the flame, on the right hand side are 3 small LED status lights, as well as function controls and a digital temperature readout.



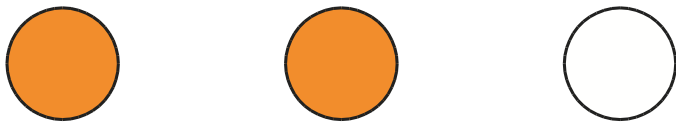
When all indicator lights are off, touching any button will only show the status. Once the indicator lights are on you can begin operation. Touch the Power button to turn the machine on. This will be indicated by 1 orange LED light. Touch the Power button again to turn off the machine. The Heat button can be pressed multiple times and will turn on low, high and off in that order. The Dimmer/Color button turns on high, medium, low and off in that order. Long-press the Dimmer/Color button to toggle the flame color from orange to blue.

To use the built in digital thermostat, start by setting the heat to high or low. You may now set the temperature limit by using the up or down arrows. After selecting the set temperature, the arrows will fade and the ambient room temperature will be displayed. The heater will energize when the room temperature is below the set temperature, and will continue to function automatically until turned off by touching the Heater function on the glass face or remote control. See the FAQ for instructions to toggle the device to Fahrenheit or Celsius.

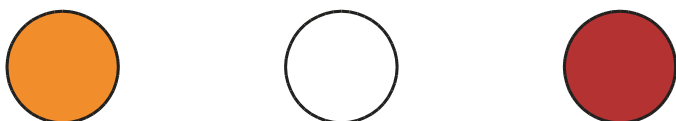
**NOTE: Thermostat control is disabled by default. To enable the thermostat control remove the glass face and connect the 4 pin cable from the on/off control to the thermostat control. Power off the unit for 30 seconds. Upon powering on the unit thermostat control will be enabled.**



When the switch turns on, this orange pilot lamp turns on. It shows the fire is energized. This light will turn off in a few seconds if there are no commands received.



The status light above shows that the power is on and the heater is on low

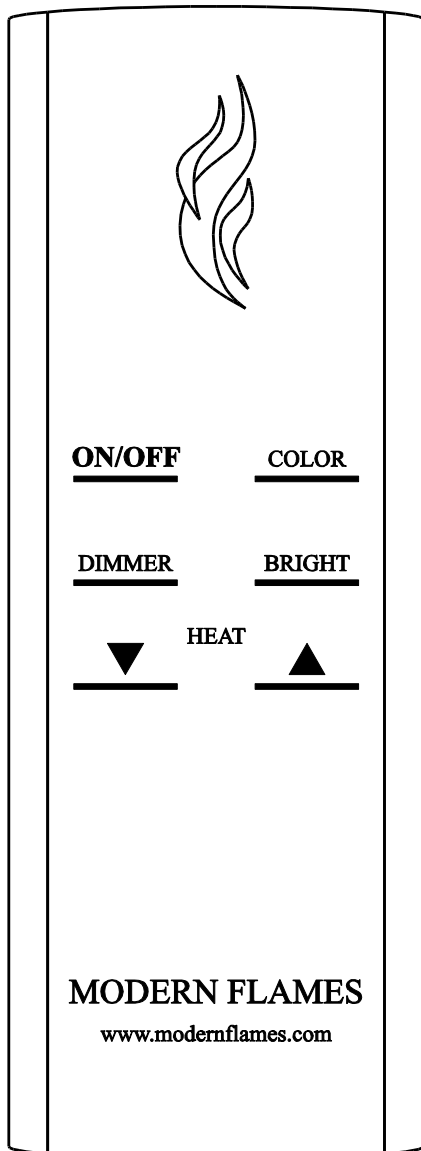


The status light above shows that the power is on and the heater is on high









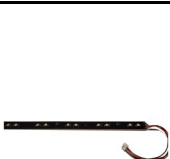

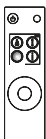
The digital control may be unplugged from the touch control for manual operation. The features will be off, low heat or high heat.

# OPERATION

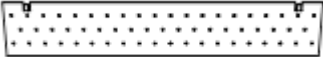
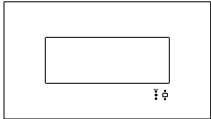
Remote operation:



The On/Off button toggles the unit on or off. The Color button toggles the flame image from orange to blue. The Dimmer button will lower the brightness of the flame, the Bright button will make the fire image brighter. Press the Heat down arrow to set the heat to low, press the Heat up arrow to set the heat to high. Press either of these buttons twice to turn the heat off.

<b>AL CLX SERVICE PARTS</b>		
ITEM	PHOTO	COMMENTS
MFPCB1		PRINTED CIRCUIT BOARD CONTROLS LOW VOLTAGE AND HIGH VOLTAGE FUNCTIONS
MFTC2		LCD TOUCH CONTROL
MFTTC2		LCD TEMPERATURE TOUCH CONTROL
MFRR1		REMOTE CONTROL IR RECEIVER
MF12VT1		TRANSFORMER
MFHF23015		HEATER FAN 230V 50Hz
MFPHF AL230		HEATER 230V 1.5kW
MFSM230		SPINDLE MOTOR 230V 50Hz
MFP45 LED		LED LIGHT STRIP AL 45
MFP60 LED		LED LIGHT STRIP AL 60
MFP80 LED		LED LIGHT STRIP AL 80
MFP100 LED		LED LIGHT STRIP AL 100
MFP144 LED		LED LIGHT STRIP AL 144
MF PS1		POWER SWITCH
MFR1		REMOTE CONTROL

# MAINTENANCE

AL45WMB		WALL MOUNT BRACKET AL1150
AL60WMB		WALL MOUNT BRACKET AL1500
AL80WMB		WALL MOUNT BRACKET AL2000
AL100WMB		WALL MOUNT BRACKET AL2500
AL144WMB		WALL MOUNT BRACKET AL3600
ALGLS45		GLASS FACE AL1150
ALGLS60		GLASS FACE AL1500
ALGLS80		GLASS FACE AL2000
ALGLS100		GLASS FACE AL2500
ALGLS144		GLASS FACE AL3600

## FREQUENTLY ASKED QUESTIONS

Q. How do you program the remote control?

A. The remote comes pre-programmed, however to add features or toggle Fahrenheit/Celsius long press the Power and Home buttons to bring up the program menu. Use the Enter key to select the device (AL\_CLX), confirm the RGB halo light (in color is enabled, in black and white is disabled), and lastly select Fahrenheit or Celsius.

Q. How do you change the fire unit to Fahrenheit/Celsius?

A. Long press on the up and down arrows on the fire unit to toggle between Fahrenheit and Celsius.

Q. What distance can the remote be used from the fireplace?

A. Optimal distance for the remote control is within 6 meters.

Q. Can you turn on the fireplace via the touch screen and off via the remote (or vice versa)?

A. Yes.

Q. My touch screen will not operate properly.

A. The fireplace must be installed to a plumb vertical wall for correct operation of touch controls. Remove power source for 30 seconds to allow unit to reset. Attach glass face, turn on power and wait for indicator lights to turn off.

Q. How long will the LED lights last?

A. LED Lamps have a life span of up to 20 years.

Q. Can the sensitivity of the touch screen be adjusted?

A. Yes, but only by the factory. Not just any technician will be able to adjust the touch screen sensitivity.

Q. Can the fireplace be installed outside?

A. No. Please review the entire safety chapter before installing this fireplace.

Q. Does the fireplace need to be on a dedicated 15 amp circuit?

A. Yes.

Q. What thickness of sheetrock should be used for the recessed installation?

A. 12mm or 16mm.

Q. How often do the batteries in the remote need to be replaced?

A. Annually, possibly more with heavy use.

Q. Is there a remote receiver in the fireplace that requires batteries?

A. No, only the actual remote requires batteries. The rest of the fireplace runs entirely off of the main power supply.

## TROUBLESHOOTING

PROBLEM	POSSIBLE CAUSE	CORRECTIVE ACTION
Flame is not visible when unit is turned on	A. Wiring is loose	A. Disconnect unit from power source and inspect for loose connections
	B. Motherboard is defective	B. Replace motherboard
Fireplace lights up but there is no flame image	A. Wiring for motor is loose	A. Disconnect unit from power source and inspect for loose connections from motor
	B. Motor is defective	B. Replace motor
Fireplace is squeaking when flame image is on	A. Fireplace spindle/ rod is contacting to metal	A. Apply lithium grease or any standard grease to contacts with rod and metal
	B. Motor is defective	B. Replace motor
Heater does not provide heat when on	A. Wiring is loose	A. Disconnect unit from power source and inspect for loose connections
	B. Thermal snap disc has been tripped	B. Turn unit off and unplug unit for 5 minutes. Plug back in and turn unit on. If plug cannot be reached, reset breaker and turn unit back on
	C. Heater core is defective	C. Replace Heater Core

# MAINTENANCE

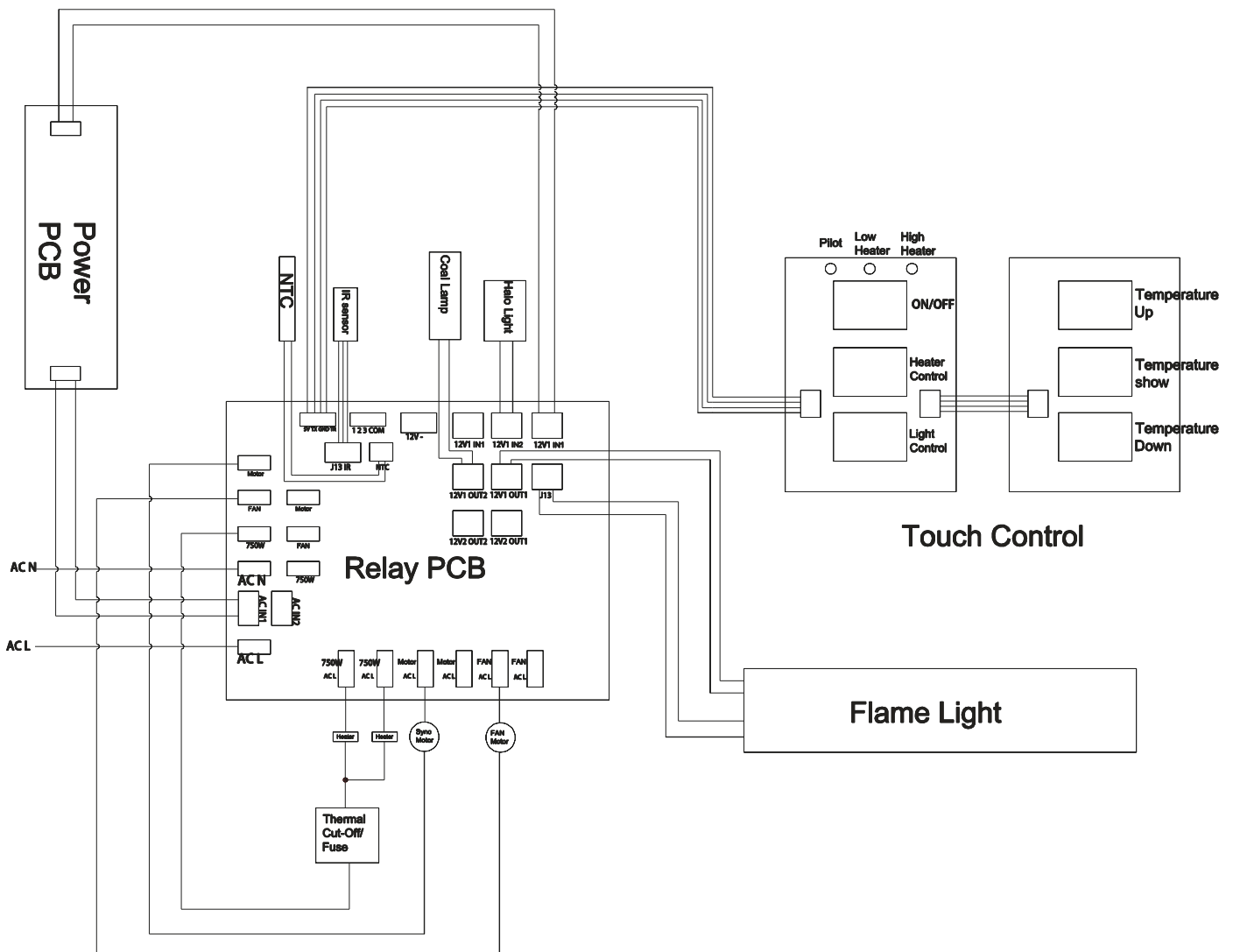
PROBLEM	POSSIBLE CAUSE	CORRECTIVE ACTION
Nothing comes on (touch screen, etc.)	A. Fireplace is not plugged in to an electrical outlet	A. Check plug
	B. Breaker tripped or outlet has no power	B. Reset breaker, test outlet for power
	C. Power Switch is not in the "On" position (bottom right)	C. Turn main power switch to the "On" position (solid white line is flush with the fireplace)
	D. Internal component is frozen and needs to be reset	D. Turn unit off and unplug for 5 minutes. Plug back in and turn unit on. If plug cannot be reached, reset breaker and turn unit back on
	E. Defective component	E. Qualified service technician needs to replace motherboard, transformer or LCD touch control
Touch Screen Comes on - then nothing	A. Fireplace is not plum to the wall (there is space between the touch screen and fascia)	A. Reposition the fireplace in the installation so the glass fascia rests firmly to the fireplace touch controls. Check that fascia is seated correctly on pins
	B. Fireplace was installed with the power in "on" position	B. Turn main power switch to the "off" position for 30 seconds. Switch the fireplace back into the "on" position for 20 seconds for complete reboot of touch control.
	C. Not operating touch control properly with finger	C. Press flat part of finger firmly on the touch screen and apply moderate pressure
	D. Loose connection on motherboard	D. Check functions with remote control. if functional, check connections on motherboard
	E. Motherboard is defective	E. Replace Motherboard
Fireplace turns off and will not turn back on	A. Fireplace has overheated and safety disc has snapped or circuit breaker has tripped	A. Turn off major power switch and waiting 5 minutes to turn it back on or reset circuit breaker
Can operate fireplace functions with touch controls but not remote control	A. Low Batteries	A. Replace batteries in remote control with - 2 AA batteries
	B. Not aiming control correctly	B. Aim remote control to the upper right of the viewing area where sensor is located
	C. Remote control defective	C. Replace remote control
	D. Remote Sensor is defective	D. Replace remote sensor inside fireplace

## CLEANING AND MAINTENANCE INSTRUCTIONS

There is very little maintenance involved with your electric fireplace. Please follow the few points below:

- On a semi-annual basis unplug the machine from it's power source, wait for the heating element to cool and dust the fire unit with a dry cloth. Be careful not to brush any wires that may be exposed as you do this.
- To clean the glass face of the fireplace simply use your desired glass cleaner with paper towels.
- To clean the air inlets/outlets, wipe with a soft cloth or the nozzle of a vacuum cleaner
- Dust can easily build up around the heater area under the appliance. Take particular care to clean this area on a regular basis to prevent buildup.
- If long time no use, please unplug the fireplace and stock it at indoor dry position.

## WIRING DIAGRAM











© 2015

MODERN  FLAMES

[www.modernflames.com](http://www.modernflames.com)  
Please dispose of properly.

