



# SKYLINE

ZERO CLEARANCE DIRECT VENT GAS FIREPLACE

**Unit Illustrated:** ZCVRB3622N Zero Clearance Direct Vent Natural Gas Fireplace, ZCVRB36SBL Wall Surround Edge – Black, Z3622PRL Porcelain Reflective Liners, MORBD1 Contemporary Rock and Driftwood Set.

 marquis  
COLLECTION

<b>Model</b>	ZCVRB3622N	ZCVRB3622LP	MQRB4236NT	MQRB4236LPT
	ZCVRB3622NE	ZCVRB3622LPE	MQRB4236NTE	MQRB4236LPTE
<b>Fuel</b>	Natural	Propane	Natural	Propane
<b>Input Max.</b>	17,500	17,500	24,000	24,000
<b>Input Min.</b>	12,000	14,000	18,000	18,000
<b>FE (P.4.1-15)</b>	61.36% / 65.82%	62.72% / 64.55%	54.84% / 57.05%	57.15% / 59.13%

### ACCESSORY OPTIONS

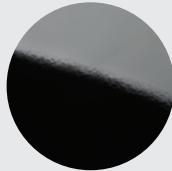
#### DRIFTWOOD SETS



**MQRBD1**  
Four Piece  
Driftwood Set  
with 4 Rocks

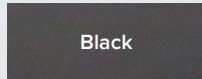


**MQRBD4**  
Three Piece  
Driftwood  
Set



Porcelain  
Reflective  
Liner

#### SURROUND TRIM EDGE

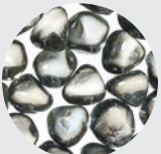


Black

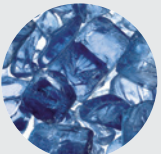


Stainless

### MEDIA OPTIONS



**MQG5ZG**  
Zircon Glacier  
Ice Glass



**MQG5A**  
Cobalt  
Ember Glass



**MQG5B**  
Black  
Ember Glass



**MQG5C**  
Bronze  
Ember Glass



**MQG5W**  
White  
Ember Glass



**MQEMBER**  
Ember  
Chunks



**MQSTONE**  
Decorative  
Stones



**MQROCK2**  
Natural  
Rock Set



**MQROCK3**  
Multi-Colored  
Rock Set

### STANDARD FEATURES

- Millivolt or IPI valve system will operate during power failures with Hi/low heat and flame adjustment
- Safety Screen Barrier

### OPTIONAL FEATURES

**Designer Clean View Circulating Kit:**  
(MQRB4236 Model Only)  
No Louvers Required

**Surround Trim Edge:**  
Black or Stainless 36" W x 22 1/2" H  
(ZCVRB3622 Model Only)

**Fan Kit:** Heat activated  
with variable speed control

**Universal Light Kit:** Two Lamps  
(Series II models only)

#### Porcelain Reflective Liners

**Driftwood Log Sets:** Four Pieces  
Driftwood with Four Rocks (MQRBD1)  
or Three Piece Driftwood Log Set  
(MQRBD4)

**Media Options:** Contemporary Rocks,  
Decorative Stones, Decorative Ember  
Glass (Glacier Ice, Cobalt Blue,  
Black, Bronze, White) or Ember Chunks

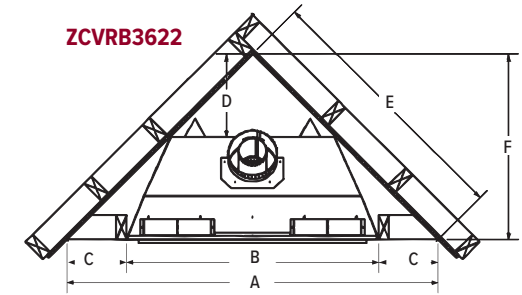
**Thermostat:** Wall Mount Thermostat  
or Programmable Thermostat

**Remote Controls:** On/Off,  
Thermostat, Thermostat Modulating



### CLEAN VIEW FRAMING

CORNER FRAMING DIMENSIONS (INCHES)



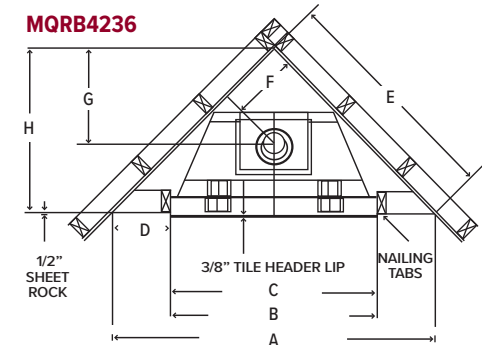
#### TOP FLUE MODEL VIEWING AREA

	Width	Height
<b>ZCVRB3622</b>	29 3/4"	16 1/8"
<b>MQRB4236</b>	33 3/8"	20 3/8"

#### ZCVRB4236 MQRB4236

<b>A</b> 53 1/2"	<b>A</b> 63 13/16"
<b>B</b> 36 3/8"	<b>B</b> 42 7/16"
<b>C</b> 8 9/16"	<b>C</b> 42 1/16"
<b>D</b> 12"	<b>D</b> 10 1/16"
<b>E</b> 37 7/8"	<b>E</b> 45 1/8"
<b>F</b> 26 3/4"	<b>F</b> 13 3/4"
<b>G</b> -	<b>G</b> 19 1/2"
<b>H</b> -	<b>H</b> 31 7/8"

#### MQRB4236



TOP FLUE MODEL	Height		Front Width		Depth	
	Actual	Framing	Actual	Framing	Actual	Framing
<b>ZCVRB3622</b>	37 1/8"	37 1/4"	36"	36 3/8"	17 7/16"	17 1/2"
<b>MQRB4236</b>	36 13/16"	43"	42 1/16"	42 7/16"	18 15/16"	19 1/2"



## Enjoy the **VIEW**

**There is nothing subtle about this Skyline.**

Its pure sophistication makes a statement with wide-view appeal and flexibility. Choose from the rocks and driftwood, decorative stones or ember glass in a choice of colors for a sleek contemporary look.

Visit [www.marquisfireplaces.net](http://www.marquisfireplaces.net) to see the latest evolution in fireplaces.



**Unit Illustrated:** MQRB4236NT Zero Clearance Direct Vent Natural Gas Fireplace, HB42CVCK Designer Clean View Circulating Kit, MQRB42PL Porcelain Reflective Liners, Decorated with White Ember Glass.



Marquis Fireplaces maintains a program of continuous testing, refinement and improvements of all its products. Some aspect of units shown here may be changed at any time without notice or obligation.

Certification: The model ZCVRB3622 is certified to ANSI Z21.88-2014, CSA 2.33-2014, CGA 2.17-M91 (R2009) vented gas fireplace heater. Models MQRB4236NT, MQRB4236NTE, MQRB4236LPT and MQRB4236LPTE are certified to ANSI Z21.50-2014 CSA 2.22-2014, CGA 2.17-M91 (R2009) vented gas fireplace.

Note: Components may have to be ordered separately to create a complete unit. Discuss with your local Marquis Dealer for clarification.

**⚠️ FOR CALIFORNIA RESIDENTS ONLY: WARNING!** This product can expose you to chemicals including Carbon Monoxide, that is an externally vented by-product of fuel consumption, which is [are] known to the State of California to cause birth defects or other reproductive harm. For more information, visit [www.P65Warnings.ca.gov](http://www.P65Warnings.ca.gov).

Crafted entirely in Canada, each Marquis fireplace is built to the highest standards and made to last.

**LIMITED LIFETIME WARRANTY**



2340 Logan Avenue  
Winnipeg, Manitoba, CAN  
R2R 2V3  
Phone: 204.632.1962  
Fax: 204.632.1960  
[marquisfireplaces.net](http://marquisfireplaces.net)

Printed in Canada  
B093 - 09/18

Canada  
**ENERGUIDE**  
Look for the **EnerGuide**  
Gas Fireplace Energy  
Efficiency Rating in this brochure  
Based on CSA P.4.1-15