



OFP42

ZERO CLEARANCE OUTDOOR GAS FIREPLACE



THE ULTIMATE IN DESIGN, ENGINEERING & QUALITY

OFP42NS Outdoor Fireplace in Stainless Steel – Natural Gas, LOGF37 Split Oak Log Set, OFP42RLH Herringbone Brick Liner.



2340 Logan Avenue
 Winnipeg, Manitoba, Canada R2R 2V3
 Phone: (204) 632-1962 Fax: (204) 632-1960
www.kingsmanfireplaces.com

Model	OFP42N	OFP42LP
	OFP42NS	OFP42LPS
Fuel	Natural	Propane
Input Max.	55,000 BTU	55,000 BTU
Input Min.	38,000 BTU	44,000 BTU

- Satin Coat with a Black Paint Finish and stainless steel pull screen. A great alternative when covering the front face with brick or other non combustible materials. (Satin coat steel is pretreated with a zinc coating for corrosion resistance and paint adhesion.)
- Stainless steel firebox, front and pull screens. Stainless steel provides a clean, contemporary and weather-resistant finish so that you can enjoy your fireplace for years to come.

STANDARD FEATURES*

- Hi/lo Millivolt valve with variable adjustment of flame and BTU
- A flame sensor that constantly monitors the pilot flame and provides 100% gas shut off if pilot is not sensed
- Stainless steel pull screen
- Lava Rock

OPTIONAL FEATURES

Surround

Stainless Steel

Remote Control

On/Off



Log Set

LOGF37 Log Set – Five Pieces

Weather Cover

Stainless Steel or Black

Spark Assist

Battery Operated Pilot Burner Ignitor

Refractory Liner

Traditional or Herringbone



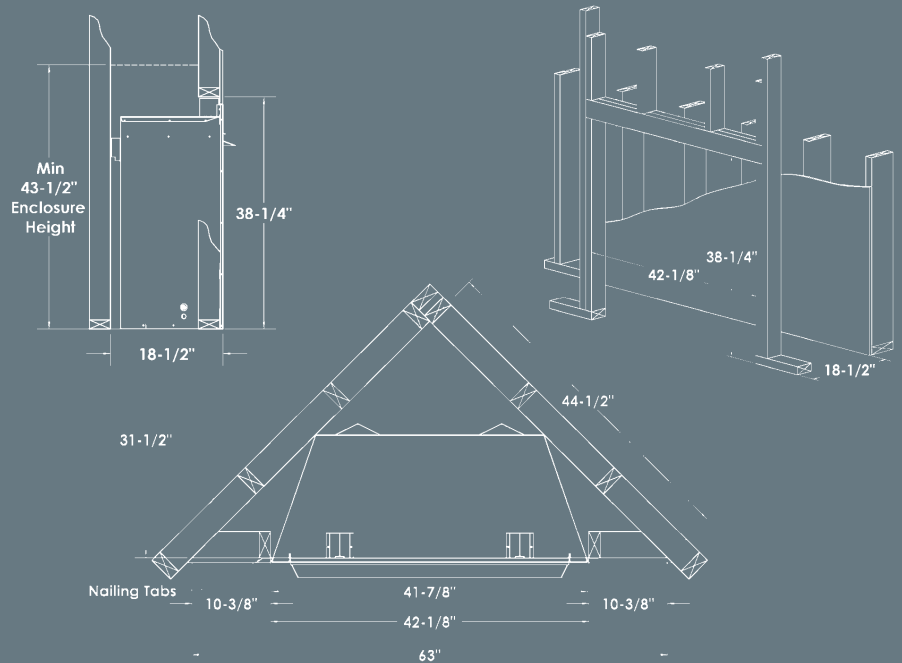
SCREENED PORCH INSTALLATION GUIDELINES

- Porch Area - 96 sq. ft
 - Ceiling Height - 92"
 - A minimum of two walls can be screened but must be open to outside ventilation
- Minimum Screen Height - 78"

Screen Area - 64 sq. ft

Refer to installation manual for additional details of framing specifications and clearances

UNIT AND FRAMING SPECIFICATIONS (IN.)



Model OFP42N Outdoor Fireplace – Natural Gas, LOGF37 Split Oak Log Set, OFP42RLT Traditional Brick Liner.

Two fireplace choices and no venting required.



*Components may have to be ordered separately to create a complete unit. Discuss with your local Kingsman dealer for clarification. Kingsman Fireplaces maintains a program of continuous testing, refinement and improvements of all its products. Some aspect of units shown here may be changed at any time without notice or obligation. Certification: These models are certified for USA and Canada as an Outdoor Gas Fireplace. CSA 4.96 US 2nd Edition, CGA CR97-003, CGA 2.17-M91.



CRAFTED ENTIRELY IN CANADA, EACH KINGSMAN FIREPLACE IS BUILT TO THE HIGHEST STANDARDS AND MADE TO LAST.

Printed in Canada
 09/18 – B065



FOR CALIFORNIA RESIDENTS ONLY:

WARNING! This product can expose you to chemicals including Carbon Monoxide, that is an externally vented by-product of fuel consumption, which is [are] known to the State of California to cause birth defects or other reproductive harm. For more information, visit www.P65Warnings.ca.gov.